



Quick Reference Catalog

| Safety Solutions | Trailer Solutions | Air Brake & Powertrain Solutions |



The unexpected is straight ahead.

Even the safest drivers are at risk of rear-end collisions, rollovers, and loss of control. Bendix helps reduce that risk with a comprehensive portfolio of integrated solutions for tractors and trailers. Protect your fleet with Bendix® Wingman® Fusion™, our most advanced safety system ever. Safeguard it with the unequalled stopping power of Bendix® ADB22X™ air disc brakes and sure control of full stability. These and other proven Bendix technologies are driving a new era of safety. *Are you ready for what's ahead?*

Prepare now. To learn how, visit saftertrucks.com/solutions, email safetysolutions@bendix.com, or call 1.800.AIR.BRAKE (1.800.247.2725) today.

Bendix safety technologies complement safe driving practices and are not intended to enable or encourage aggressive driving. No commercial vehicle safety technology replaces a skilled, alert driver exercising safe driving techniques and proactive, comprehensive driver training. Responsibility for the safe operation of the vehicle remains with the driver at all times.

© Bendix Commercial Vehicle Systems LLC, a member of the Knorr-Bremse Group. All Rights Reserved.



| Product Group | Page | Product Group | Page | Product Group | Page |
|---|---------|--|---------|---|--------|
| ABS & Stability - 13 | | Electronics - 15 | | SV-1™, SV-4™ | 45 |
| AT-3™, ATR-3™ | 110 | ET-2™, ET-S2™ | 131 | TC-4™, TW-1™ | 42 |
| ATR-1™, ATR-6™ | 111 | Foundation Brakes - 22 | | TH-3™, TW-2™, TW-3™ | 43 |
| Axle Modules | 108–109 | Brake Shoe Identification, | | TW-4™, TW-11™ | 44 |
| EC-30™, Gen 4/5 Controller | 102 | Hardware Kits | 139–144 | Inversion Valves | |
| EC-60™ Controller | 103–106 | Brake Lining | 138 | TR-2™, TR-3™ | 29 |
| EC-80™ Controller | 114 | Formula Blue® Brake Pads, | | Pressure Protection Valves | |
| ESP®, PS-60™, YAS-60™, | | Brake Shoes | 132–135 | PR-2™, PR-3™, PR-4™ | 30 |
| YAS-70X™ Sensors | 119 | Drum Brake - Drive Axle | 147 | Pressure Reducing Valve | |
| eTrac™ | 106 | Drum Brake - Steer Axle | 146 | RV-3™ | 33 |
| M-30™, M-32™, M-32QR™, M-40™, | | Drum Brake - Trailer Axle | 148 | Quick Release Valves | |
| M-40HF™, M-40QR™ Modulators | 107–109 | RSD Cams | 136 | LQ-2™, QR-1C® | 35 |
| MC-30™, A-18™, MC-12™ | 112–113 | RSD Friction | 137 | QR-L™ | 33 |
| TABS-6™, BR9235™ | 116–117 | Indicating & Warning Devices - 06 | | QR-1®, QRN™ | 34 |
| WS-20™, WS-24™ Wheel Speed Sensors ... | 118 | Air Horn Kits | 71 | Ratio, Limiting & Proportioning Valves | |
| Lane Departure Warning (LDW) Systems | | SL-4™ | 70 | LQ-4™ | 35 |
| AutoVue® | 126–127 | LP-2™, LP-3™ | 70–71 | LQ-5™, BP-1™, BP-R1® | 36 |
| Radar Systems | | Slack Adjusters - 05 | | Relay Valves | |
| FLR-10™, FLR-20™, VORAD® VS-400 | 120–125 | Manual | 67 | R-6™, R-8™ | 46 |
| BlindSpotter® Radar, Side Speaker | 127 | Versajust® Automatic Slack Adjuster | 68–69 | R-8P™ | 47 |
| Tire Pressure Monitoring System | | Yoke Adapters, Yoke Kits | 69 | R-12®, R-12P™ | 48–49 |
| SmarTire® TPMS | 128–129 | Tubing & Fittings - 07 | | R-7™ Modulating Valve | 56 |
| Diagnostic Tools | | C-1™, C-3™ | 72 | R-12DC® | 50 |
| RDU™, TRDU, ACom®, Electronic Tools | 130 | C-5™ | 73 | R-14® | 51 |
| Actuators - 02 | | DV-2™ | 74 | RE-6®, RE-6NC™ | 52 |
| Brake Chambers, Diaphragms, Rotochambers, | | Reducer Bushings | 78 | Safety Valves | |
| Spring Brakes, Springs, Yokes | 18–23 | Tubing, Tubing Clamps, | | ST-3™ & ST-4™ | 13, 53 |
| Air Brake System - 100 | | Tubing Inserts, Nylon Tubing | 75 | Spring Brake Valves | |
| Coach, Double Train, School Bus, | | Tubing Fittings | 76–79 | SR-1™, SR-2™, SR-4™ | 54 |
| Tractor, Towing Trailer, Truck | 153–161 | Air Brake Hose | | SR-5™, SR-7®, SRC-7000™ | 55 |
| Air Disc Brake - 23 | | Hose, Hose Assembly, Hose Couplings, Hose | | Tractor Protection Valves | |
| ADB22X™, ADB225™, | | Fittings & Suspension Spring | 80–83 | TP-3®, TP-3DC™ | 56 |
| SB-7™, SN-7™, SK-7™ | 149–152 | Dummy Couplings | 84 | TP-4™, TP-5™ | 57 |
| Air Dryers - 08 | | Valves - 03 | | Valve Maintenance Kits | 58–66 |
| AD-2® | 86 | Brake Valves | | | |
| AD-9®, AD-9® IPC | 88–91 | E-2™, E-3™, E-5™ | 24 | | |
| AD-9si® | 87 | E-6®, E-8P®, E-10P™, E-10PR™ | 25 | | |
| AD-IP®, AD-IP® DI | 93 | E-7™, E-10™ | 26 | | |
| AD-IS®, DRM™ | 94–96 | E-12™, E-14™, E-15™, BVA-85™ | 27 | | |
| AD-SP® | 92 | TC-2™, TC-6™, TC-7™ | 28 | | |
| Cartridge Guidelines | 98–101 | TCS-9000™ | 27 | | |
| Cyclone DuraDrain® | 84 | Check Valves | | | |
| EverFlow® Air Dryer Module | 97 | Double | 31 | | |
| PuraGuard®, PuraGuard® QC, AF-3™ | 85 | Single, Right Angle Check Valves | 31 | | |
| Trailer System-Guard® | 84 | Control Valves | | | |
| Compressors & Governors - 01 | | E-Z-Grip® Soft | | | |
| All Makes™ | 11–12 | Button Cover | 39 | | |
| Compressors, Inlet Gaskets | 2–3 | MV-3® | 41 | | |
| D-2®, SV-1™ Governors & Gaskets | 16 | PP-1®, PP-2™, PP-3™ | 37 | | |
| Engine Applications | 4–9 | PP-5™, PP-7™, PP-8™ | 38 | | |
| Maintenance Kits, Service Parts, | | PP-DC® | 40 | | |
| Safety Valve, Air Strainers | 13–15 | RD-3™ | 39 | | |

i = For additional information

Bendix® Compressor Sizes

BX-2150™ Compressor

9.5 CFM AT 1250 RPM

[i SD-01-331](#)



Tu-Flo® 400 Compressor

7.25 CFM AT 1250 RPM

[i SD-01-326](#)



Tu-Flo® 500 Compressor

12 CFM AT 1250 RPM

[i SD-01-326](#)



Tu-Flo® 501 Compressor

12 CFM AT 1250 RPM

[i SD-01-337](#)



Tu-Flo® 550 Compressor

13.2 CFM AT 1250 RPM

[i SD-01-333](#)



Tu-Flo® 600 Compressor

14.5 CFM AT 1250 RPM

[i SD-01-336](#)



Tu-Flo® 700 Compressor

15.5 CFM AT 1250 RPM

[i SD-01-335](#)



Tu-Flo® 750 Compressor

16.5 CFM AT 1250 RPM

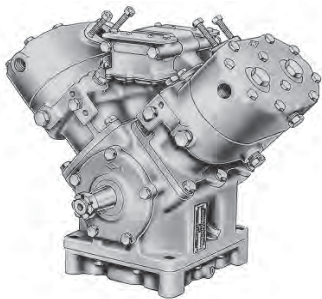
[i SD-01-344](#)



Tu-Flo® 1000 Compressor

24 CFM AT 1250 RPM

[i SD-01-326](#)



DuraFlo 596™ Compressor

27 CFM AT 1250 RPM

[i SD-01-670](#)



BA-921® Compressor

15.8 CFM AT 1250 RPM

[i SD-01-690](#)



BA-922® Compressor

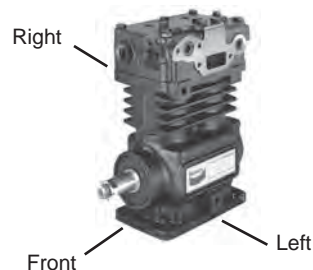
31.6 CFM AT 1250 RPM

[i SD-01-700](#)



- Bendix air compressors are designed to meet a wide range of vehicle needs.
 - Several sizes and various mounting configurations are available.
 - Compressors are available remanufactured exchange.
- V.M.R.S. 13-009-000

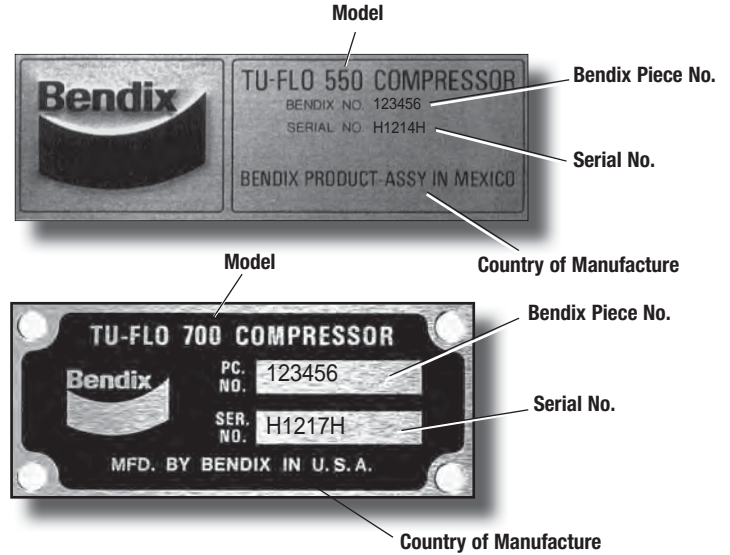
Unless indicated, inlet & discharge locations are as shown.



Compressor Nameplates

A nameplate is attached to the crankcase of all compressors. It displays the model, piece number (PC. NO.) and serial number (SER. NO.). When making reference to a particular compressor, use the piece number (PC. NO.) stamped on the nameplate.

The serial number is interpreted as follows: First is an alpha character (A through M, skipping the letter I) representing January through December. The next four characters are numbers representing the day of the month followed by the year (two digits for each). The sixth and last character represents the manufacturing plant. For example serial number H1217H indicates the product was manufactured on August 12, 2017 in the Huntington, Indiana facility.



Gaskets



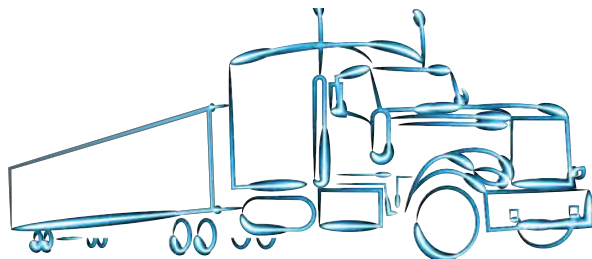
Inlet Flange Gasket Pc. No. 243430N

For all Bendix® Tu-Flo® Compressors
except Tu-Flo® 300 Compressor

| Service New Pc. No. | Compressor |
|---------------------|-----------------------------|
| 5013553 | Tu-Flo® 550 and Tu-Flo® 750 |
| 5016795 | Tu-Flo® 501 |

Base Plate Gasket

For compressors with 1/2" bottom drain port



TECH + TEAM

For additional application or changeover information contact your Bendix Account Representative or the Tech Team at **1-800-AIR-BRAKE (1-800-247-2725)**, Select option 2 then option 1 to reach the Tech Team.

bendix.com
email techteam@bendix.com

Fax: 440-329-9556

Bendix® BA-921® Service & Remanufactured Compressors

w/core group and core class identification



CAT®
Core Group 1K

BA-921
Air Compressor
(Core Class 2K)
C15, C18
5012533X
*(40 tooth drive gear -
CAT P/N 20R0178)*

BA-921
Air Compressor
(Core Class 2K)
C11 ACERT™, C13 ACERT
K056647X
*(42 tooth drive gear -
CAT P/N 20R0177)*



CAT
3126, C7 ACERT™, C9 ACERT
Core Group 2K

Note: Flange gasket must be purchased from Caterpillar.

BA-921
Air Compressor
(Core Class 2K)
5010806X
Rear Flange Rotation - 0°



Navistar®
IBB Side Mount
Core Group 1X

BA-921
Air Compressor
(Core Class 1X)
K044642
K075155X

**Used in conjunction with
Bendix DRO valve
P/N K036946**

BA-921
Air Compressor
(Core Class)
K048595
K075155X



DDC®
Series 60
Core Group 1J

BA-921
Air Compressor
(Core Class 2J)
5016614X
5016799X (with gasket kit)
*(4-bolt head and 63 tooth
drive gear
with a 21 tooth spline)*
Governor pad included on
cylinder head.

BA-921
Air Compressor
(Core Class 3J)
5018653X
*(6-bolt head and 63 tooth
drive gear
with a 21 tooth spline)*

| Bendix® BA-921® Compressor Kits | Part No. |
|-----------------------------------|----------|
| Unloader Kit | K109119 |
| Cylinder Head Gasket Kit - 4 Bolt | 5008558 |
| Cylinder Head Gasket Kit - 6 Bolt | K023764 |
| Compressor Seal Kit | 5012369 |
| Governor Adapter Kit | 5008561 |
| Cylinder Head Assembly Kit | K023600 |
| Unloader Repair Kit | 5012771 |

Bendix® BA-922® Remanufactured Compressors

w/core group and core class identification



BA-922
Air Compressor
(Core Class 1P)
C11 ACERT™, C13 ACERT
5013058X
(42 tooth drive gear)

CAT®
Core Group 1P

BA-922
Air Compressor
(Core Class 1P)
C15 ACERT™, C18 ACERT
5013059X
(40 tooth drive gear)



BA-922®
Air Compressor
(Core Class 1L)
5013695X
*(69 tooth drive gear
with a 21 tooth spline)*

DDC®
**Series 60 non-EGR &
Series 50**
Core Group 1L

A changeover kit is required if replacing a Tu-Flo® 750 or DuraFlo 596™ compressor. See BW2524 for additional information.



BA-922
Air Compressor
(Core Class 1M)
5012895X
*(63 tooth drive gear
with a 21 tooth spline)*

DDC
Series 60 EGR
Core Group 1M



BA-922
Air Compressor
(Core Class 1N)
5016389X
(drive gear not included)

John Deere®
Tier 3 PowerTech Plus™
Core Group 1N

Caution!
Bendix BA-922 air compressors
cannot be turbocharged.

Bendix® BA-922® Remanufactured Compressors

w/core group and core class identification



BA-922
Air Compressor
(Core Class 1U)

K047783X
(15 tooth spline)

K047737X
(15 tooth spline)
Metric Ports

ASE B-B Universal
Flange
Core Group 1U



BA-922
Air Compressor
(Core Class 1U)

K047781X
*(15 tooth spline - front
9 tooth spline - rear)*

K047780X
Metric Ports
*(15 tooth spline - front
9 tooth spline - rear)*

ASE B-B Universal
Flange
Core Group 1U

Caution!
Bendix BA-922 air compressors
cannot be turbocharged.

| Bendix® BA-922® Compressor Kits | Part No. |
|---|----------|
| Unloader Kit | 5014473 |
| Cylinder Head Gasket Kit | 5014472 |
| Compressor Seal Kit | 5008559 |
| Governor Adapter Kit | 5008561 |
| Changeover Kits: Detroit Diesel® Series 50 & Series 60 Non-EGR | |
| Series 50 CNG | 5015871 |
| Series 50 Diesel, Series 60 non-EGR (<u>rear</u> mount ECM) | 5016263 |
| Series 50 Diesel, Series 60 non-EGR (<u>side</u> mount ECM) | 5016728 |

Bendix® Tu-Flo® 550 & Tu-Flo® 750 Remanufactured Compressors

w/core group and core class identification



CAT®
Core Group 1A

Tu-Flo 550
Air Compressor
(Core Class 1A)
3406, C10, C12, C15, C16
5002984X
(rear end cover studs)
3176, C15, C16
5005790X

107509X
3406B
(2½° tilt)

Tu-Flo 750
Air Compressor
(Core Class 2A)
3406, C10, C12, C15, C16
5002713X
(rear end cover studs)

3176, C15, C16
5002983X

107508X
3406B
(2½° tilt)



CAT
3116, 3126,
C7 ACERT™, C9 ACERT
Core Group 1A

* High torque thru drive.

Tu-Flo 550
Air Compressor
(Core Class 1A)
5011016X (keyed c'shaft)
5001940X (non keyed c'shaft)

***5008249X**

107981X
(left inlet)

Tu-Flo 750
Air Compressor
(Core Class 2A)
5004118X

Top inlet unless noted.
Removable rear flange cover.



Tu-Flo 550
Air Compressor
(Core Class 1A)
109251X

Tu-Flo 750
Air Compressor
(Core Class 2A)
109287X

CAT 3306
Core Group 1A



Cummins® ISB & C
Core Group 1E

37 tooth gear

Tu-Flo 550
Air Compressor
(Core Class 1E)
108804X
(top air inlet)

109653X
(left air inlet)

Tu-Flo 750
Air Compressor
(Core Class 2E)
109382X
(top air inlet)



Cummins
ISM, N14, M11
Core Group 1B

Tu-Flo 550
Air Compressor
(Core Class 1B)
107506X

Tu-Flo 750
Air Compressor
(Core Class 2B)
107507X

Drive Gear -
Cummins P/N AR200398

Optional Tu-Flo® 550 & 750 compressors available with premium crankshafts for severe duty applications. See Bendix Bulletin TCH-001-054.



DDC®
Core Group 1D

Bendix® Tu-Flo® 550
Air Compressor
(Core Class 1D)
Series 60 non-EGR
5004188X (head as shown)
K053743X (head rotated 180°)
*(69 tooth gear
with a 21 tooth spline)*

Bendix® Tu-Flo® 750
Air Compressor
(Core Class 2D)
Series 60 non-EGR &
Series 50
5004187X (head as shown)
K053744X (head rotated 180°)
*(69 tooth gear
with a 21 tooth spline)*

Bendix® BA-922® air compressor
upgrade available.



DDC
Core Group 1C

Tu-Flo 550
Air Compressor
(Core Class 1C)
Series 60 non-EGR
107622X
(21 tooth spline)

Tu-Flo 750
Air Compressor
(Core Class 2C)
Series 60 non-EGR &
Series 50
107623X
(21 tooth spline)

Bendix® BA-922® air compressor upgrade available.



NPT Ports

International® V8
Pre-2004
Core Group 11

Tu-Flo 550
Air Compressor
(Core Class 60)
T444E
107514X

Note: 300 pound maximum
side load on belts.



International V8
2004 - 2006
Core Group 11

Tu-Flo 550
Air Compressor
(Core Class 60)
VT365
5015314X
*(M18 water port &
M10 oil port)*

*Engines built before 6/05 may
require kit pc. no. 5016415
for oil and water port adapters
- see Bendix Bulletin
TCH-001-055.*

Note: 300 pound maximum
side load on belts.



International V8
2007
Core Group 11

Tu-Flo 550
Air Compressor
(Core Class 60)
VT365
5019445X
*(M18 water port &
M10 oil port)*

Note: 300 pound maximum
side load on belts.



Volvo®
Core Group 1H

Tu-Flo 550
Air Compressor
(Core Class 1H)
108937X
Bendix® Tu-Flo® 750
Air Compressor
(Core Class 2H)
108935X



NPT Ports

International® I-6
Pre-2004
Core Group 1G

Bendix® Tu-Flo® 550
Air Compressor
(Core Class 1G)
DT466, HT530
5004613X

Bendix® Tu-Flo® 750
Air Compressor
(Core Class 2G)
HT530
5004614X



Bottom drain & metric ports

International I-6
2004 - 2006
Core Group 1G

Tu-Flo 550
Air Compressor
(Core Class 1G)
DT466
5014144X

HT570
***5014488X**

Tu-Flo 750
Air Compressor
(Core Class 2G)
HT570
***5014489X**

Optional Bendix® Tu-Flo® 550 & 750 compressors available with premium crankshafts for severe duty applications. See Bendix Bulletin TCH-001-054.

* Premium crankshaft for severe duty applications.



Bottom drain & metric ports

International I-6
2007
Core Group 1G

Tu-Flo 550
Air Compressor
(Core Class 2G)
DT466
5019320X

HT570
***5019321X**

Tu-Flo 750
Air Compressor
(Core Class 2G)
HT570
***5019322X**



Mack Extended
Core Group 1F

Tu-Flo 550
Air Compressor
(Core Class 1F)
***108866X**
(Pre-1997)
5002865X

Tu-Flo 750
Air Compressor
(Core Class 2F)
***5003729X**
(Pre-1997)
5002868X

* Premium crankshaft for severe duty applications.

* Head contoured for special clearance applications.

| Service Parts / Kits | Part No. |
|----------------------|----------|
| Rear Spline Adapter | 5000560 |
| Bottom Drain Kit | 5013553 |

Radar+Camera+Brakes

When you add it up, nothing protects your fleet like Bendix® Wingman® Fusion™



Unlike radar-only systems, Wingman Fusion combines and cross-checks information from multiple sources to deliver enhanced rear-end collision mitigation, alerts when speeding, and braking on stationary vehicles. Bendix Wingman Fusion also helps drivers avoid additional crash situations, including rollovers, loss-of-control, and sideswipe crashes while prioritizing alerts to help reduce driver distraction. The Bendix Wingman Fusion driver assistance system — next generation collision mitigation, available today.

Visit safertrucks.com/fusion or call 1.800.AIR.BRAKE (1.800.247.2725) today.

Ask your new truck dealer representative to add Wingman Fusion to your next truck order.

The system's camera is powered by the Mobileye System-on-Chip EyeQ processor with state-of-the-art-vision algorithms. Bendix® safety technologies complement safe driving practices and are not intended to enable or encourage aggressive driving. No commercial vehicle safety technology replaces a skilled, alert driver exercising safe driving techniques and proactive, comprehensive driver training. Responsibility for the safe operation of the vehicle remains with the driver at all times. Inset image shows a simulated display for demonstration purposes only.

© 2017 Bendix Commercial Vehicle Systems LLC, a member of the Knorr-Bremse Group. All Rights Reserved.



All Makes™

by Bendix CVS

WABCO® SS318 Series Air Compressors



9111535200X



9111535100X

| Bendix Part Number | Compressor Model | Application (engine type, characteristics) | Compressor Cross Reference | Core Group | Core Class |
|--------------------|------------------|--|---|------------|------------|
| 9111530030X | SS318 | Cummins® ISC/ISL Engine, 11 Tooth, 85MM | 3944525, 3949098, 3969110, 9111530100X, 9111535300X | RF | R7 |
| 9111530550X | SS318 | Mack® Engine, 11 Tooth, 85MM | | RD | R5 |
| 9111535100X | SS318 | Cummins ISX Engine, 85MM | 3103413, 3681902, 3681904 | RB | R2 |
| 9111535200X | SS318 | Cummins L/M/N Engine, 85MM | 3558163, 9111535207X | RC | R4 |
| 9111535400X | SS318 | Mack Engine, Extended Flange, Thru-Drive, 11 Tooth | 303GB5129M | RD | R5 |
| 9111535410X | SS318 | Mack Engine, Extended Flange | 9111530560 | RD | R5 |

WABCO® Replacement Heads

For SS318 Series Air Compressors



9111539202X

(Includes mounting hardware and gasket)

| Bendix Part Number | Compressor Model | Application (engine type, characteristics) | Compressor Reference | Core Group | Core Class |
|--------------------|------------------|--|--|------------|------------|
| 9111539202X | SS318 | 85MM Metric STO | 9111530040X, 9111535200X, 9111535207X, 9111535300X, 9111535330X, 9111535313X | RH | S5 |
| 9111539212X | SS318 | 85MM STO | 9111535100X | RH | S5 |
| 9111539312X | SS318 | 85MM Mack | 9111535400X, 9111535410X | RH | S5 |

Cummins®/Holset® Compressors

| Bendix Part Number | Compressor Model | Application (engine type, characteristics) | Core Group | Core Class |
|--------------------|------------------|--|------------|------------|
| 3048680X | ST676 | L10/K/N14 Engine | P1 | PA |
| 3049186X | SS296 | N14/L10 Engine | J | AJ |
| 3558052X | QE296C | C Series Engine, Thru-Drive, 11 Tooth | J4 | JD |
| 3558072X | QE296 | L10/N14 Engine | J3 | JC |



3558072X

All Makes™

by Bendix CVS

Midland® 1300 & 1600 Series Air Compressors



EL13111X

| Bendix Part Number | Compressor Model | Application (engine type, characteristics) | Compressor Cross Reference | Core Group | Core Class |
|--------------------|------------------|--|----------------------------|------------|------------|
| EL13020X | 1300 | 4-Hole Base Mount | N7002A | C1 | CA |
| EL13111X | 1300 | Mack® Engine, Extended Flange | N7011F | F1 | FA |
| EL16053X | 1600 | DDC® Series 60 Engine, Thru-Drive | NT7205Y | K2 | KB |

Midland® EL740 & 850 Series Air Compressors



KN7170X

| Bendix Part Number | Compressor Model | Application (engine type, characteristics) | Compressor Cross Reference | Core Group | Core Class |
|--------------------|------------------|--|----------------------------|------------|------------|
| KN7050X | EL740 | 4-Hole Base Mount, Flange Discharge | R955KN7050 | A4 | AD |
| KN7170X | EL740 | 6-Hole Base Mount | R955KN7170 | A6 | AF |
| KN86020X | EL850 | 4-Hole Base Mount, Water-Cooled | N7602, R955KN86020 | B2 | BB |

Bendix® ST-4™ Safety Valve

V.M.R.S. 13-010-073

| ST-4™ Safety Valve Pc. No. | Used in Conjunction with | Pressure Setting | Thread | No. of Holes |
|----------------------------------|-----------------------------|---------------------|---------------|-----------------|
| 131081 | | 250 psi | 1/2-14 NPT | 2 |
| 800019 | | 150 psi | 1/2-14 NPT | 2 |
| 800154 | | 250 psi | 1/2-14 NPT | 2 |
| 800155 | | 200 psi | 1/4-18 NPT | 1 |
| 800350 | Dryer Reservoir Module | 153 psi | 1/4-18 NPT | 1 |
| 800533 | | 250 psi | 3/4-16 UNF-2A | 2 |
| 800534 | S.T.O.R.P. | 250 psi | M16 x 1.5-6H | 2 |
| 801116 | S.T.O.R.P. | 250 psi | 7/8-14 UNF-2A | 2 |



S.T.O.R.P. = Straight Thread O-Ring Port

See the valve section of this catalog for additional safety valves.

Air Strainers

Service New Pc. No. includes air strainer & hardware. Can not be used on a Tu-Flo® 300 compressor.



i [SD-01-326](#)

| Air Strainer Kit Pc. No. | Service New Pc. No. | Replacement Filter |
|-----------------------------|------------------------|-----------------------|
| 278500N | 279901N | 243009N |



| Air Strainer Kit Pc. No. | Service New Pc. No. | Filter & Gasket Kit | Replacement Filter |
|-----------------------------|------------------------|------------------------|-----------------------|
| 227785N | 226469N | 277157 | 239292N |

Bendix® Compressor Maintenance and Service Kits

| | Bendix® Compressor | | | | | | |
|--|--------------------|---------------|---|---------------|----------------------------|-----------------------|-----------------------|
| | U-7½ | E-12™ & F-12™ | BX-2150™ | Tu-Flo® 300 | Tu-Flo® 400 | Tu-Flo® 500 | Tu-Flo® 501 |
| NUMBER OF CYLINDERS | 2 | 2 | 1 | 2 | 2 | 2 | 2 |
| FIELD MAINTENANCE KIT | NA | NA | 108848N 109356 (CAT) | 229415N | 229416 | 229417N | 287043N |
| UNLOADER KIT | NA | NA | 108847N | 279613N | 279614 | 279615N | 279615N |
| GASKET SET | NA | NA | 294562 (Head Gasket) | NA | 280511 | 280512N | 101558 |
| PISTON RING SETS (3) = 3 ring piston (4) = 4 ring piston (5) = 5 ring piston Unless otherwise indicated one piston ring set services the entire compressor. | | | | | | | |
| Standard Size | 226721N | 225514 | 104045 | 226778N | 226721N (4) 289603N (3) | 225514 | 106105N (5) |
| .010 O.S. | 226722N | 225515N | 104046 | 226779 | 226722N (4) 289604 (3) | 225515N | 106106 (5) |
| .020 O.S. | 226723N | 225516N | 104047 | 226780 | 226723N (4) 289605 (3) | 225516N | 106107 (5) |
| .030 O.S. | 226724 | 225517N | 104048 | 226781 | 226724 (4) 289606 (3) | 225517N | 106108 (5) |
| .040 O.S. | NA | NA | NA | NA | NA | NA | 5005216 |
| PISTON AND WRIST PIN KITS (5) = 5 ring piston * These piston and wrist pin kits have a selected fit. A set contains one piston & one pin. All other piston & wrist pin kits have a non-selected fit and each kit contains one piston, one wrist pin & two wrist pin buttons. | | | | | | | |
| Standard Size | NA | NA | 104049 | 225704N* | 289438N | 289928N | 106109N (5) |
| .010 O.S. | NA | NA | 104050N | 226630* | 289439N | 289929N | 106110N (5) |
| .020 O.S. | NA | NA | 104051 | 226631* | 289440N | 289930N | 106111N (5) |
| .030 O.S. | NA | NA | 104052 | 226632* | 289441 | 289931N | 106112N (5) |
| .040 O.S. | NA | NA | NA | NA | NA | NA | 5005217 |
| ALUMINUM CONNECTING RODS (services 1 connecting rod) | | | | | | | |
| Without Inserts | 229083 | NA | NA | NA | 229083 | NA | NA |
| With Std. Inserts | 229082N | NA | 102398RX (Std.) 107465RX (.010 O.S.) 107466RX (.020 O.S.) | 227479 (Std.) | 229082N | NA | NA |
| STEEL CONNECTING RODS (services 1 connecting rod) | | | | | | | |
| Without Inserts | NA | 229085 | NA | NA | NA | 229085 | 286258 |
| With Std. Inserts | NA | NA | NA | NA | NA | NA | 286259 |
| CONNECTING ROD INSERT KIT (services 1 connecting rod) | | | | | | | |
| Standard Size | 282763N | 282767N | NA | NA | 282763N | 282767N 287062N(M) | 286254N 287058N(M) |
| .010 O.S. | 282764N | 282768N | NA | NA | 282764N | 282768N 287063(M) | 286255N 287059N(M) |
| .020 O.S. | 282765N | 282769N | NA | NA | 282765N | 282769N 287064(M) | 286256N 287060N(M) |
| .030 O.S. | 282766N | 282770N | NA | NA | 282766N | 282770N | 286257N 287061N(M) |
| .040 O.S. | NA | NA | NA | NA | NA | NA | 5005218 5005219(M) |
| PISTON RINGS AND CONN. ROD KIT (services the entire compressor) | NA | NA | NA | NA | NA | NA | NA |
| CRANKSHAFT BEARING KIT | NA | NA | NA | NA | NA | NA | NA |

(M) For Mack® style compressors with power steering driven by the compressor crankshaft.

NA - Not Available

Bendix® Compressor Maintenance and Service Kits

| | Bendix® Compressor | | | | | | | |
|--|--|-----------------------|----------------------|---|-----------------------|-----------------------|------------------|-------------------------------------|
| | Tu-Flo® 550 | Tu-Flo® 600 | Tu-Flo® 700 | Tu-Flo® 750 | Tu-Flo® 1000 | Tu-Flo® 1400 | BA-921® | BA-922® |
| NUMBER OF CYLINDERS | 2 | 2 | 2 | 2 | 4 | 4 | 1 | 2 |
| FIELD MAINTENANCE KIT | 107516N | 229417N | 289998N | 107516N | 229417N (2 req'd.) | 104592 | NA | NA |
| UNLOADER KIT | 107515N 298721 (Unloader Cover Gasket) | 279615N | 279615N | 107515N 298721 (Unloader Cover Gasket) | 279615N (2 req'd.) | 279615N (2 req'd.) | K046477 | K049446 (or two K046477 kits) |
| HEAD KIT | 265077 | | | 265077 | | | K023600 (CAT) | |
| GASKET SET | 5012609 | 101559 | 101559 | 5012609 | NA | NA | 5008558 | 5014472 |
| HEAD GASKET | 5011623 | | | 5011623 | | | | |
| PISTON RING SETS (3) = 3 ring piston (4) = 4 ring piston (5) = 5 ring piston Unless otherwise indicated one piston ring set services the entire compressor. | | | | | | | | |
| Standard Size | 5005361 | 282525N (5) | 282525N | 5005361 | 288646 | 282525N (2 req'd.) | NA | NA |
| .010 O.S. | 5005362 | 282526N (5) | 282526N | 5005362 | 288647N | 282526N (2 req'd.) | NA | NA |
| .020 O.S. | 5005363 | 282527N (5) | 282527N | 5005363 | 288648 | 282527N (2 req'd.) | NA | NA |
| .030 O.S. | 5005364 | 282528N (5) | 282528N | 5005364 | 288649 | 282528N (2 req'd.) | NA | NA |
| PISTON AND WRIST PIN KITS (5) = 5 ring piston * These piston and wrist pin kits have a selected fit. A set contains one piston & one pin. All other piston & wrist pin kits have a non-selected fit and each kit contains one piston, one wrist pin & two wrist pin buttons. | | | | | | | | |
| Standard Size | 107647 | 289891N | 289891N | 107643 | 289928N | 289891N | NA | NA |
| .010 O.S. | 107648 | 289892N | 289892N | 107644 | 289929N | 289892N | NA | NA |
| .020 O.S. | 107649 | 289893 | 289893N | 107645 | 289930N | 289893N | NA | NA |
| .030 O.S. | 107650 | 289894 | 289894N | 107646 | 289931N | 289894N | NA | NA |
| ALUMINUM CONNECTING RODS (services 1 connecting rod) | | | | | | | | |
| Without Inserts | NA | NA | NA | NA | NA | NA | NA | NA |
| With Std. Inserts | NA | NA | NA | NA | NA | NA | NA | NA |
| STEEL CONNECTING RODS (services 1 connecting rod unless otherwise noted) | | | | | | | | |
| Without Inserts | 108841 (serv. 2) | 229085 | 229085 | 108841 (serv. 2) | 289029 | 229085 | NA | NA |
| With Std. Inserts | NA | NA | NA | NA | NA | NA | NA | NA |
| CONNECTING ROD INSERT KIT (services 1 connecting rod unless otherwise noted) | | | | | | | | |
| Standard Size | 107651 (serv. 2) | 282767N 287062N(M) | 282767N | 107651 (serv. 2) | 282751N | 282767N | NA | NA |
| .010 O.S. | 107652 (serv. 2) | 282768N 287063(M) | 282768N 287063(M) | 107652 (serv. 2) | 282752N | 282768N | NA | NA |
| .020 O.S. | 107653 (serv. 2) | 282769N 287064(M) | 282769N 287064(M) | 107653 (serv. 2) | 282753N | 282769N | NA | NA |
| .030 O.S. | 107654 (serv. 2) | 282770N | 282770N | 107654 (serv. 2) | 282754N | 282770N | NA | NA |
| PISTON RINGS AND CONN. ROD KIT (services the entire compressor) | 108843 (std.) 5000334 (.010 O.S.) 5000333 (.020 O.S.) 5000332 (.030 O.S.) | NA | NA | 108842N (std.) 5000331 (.010 O.S.) 5000330 (.020 O.S.) 5000329 (.030 O.S.) | NA | NA | NA | NA |
| CRANKSHAFT BEARING KIT | 107969N | NA | NA | 107969N | NA | NA | NA | NA |

(M) For Mack® style compressors with power steering driven by the compressor crankshaft.

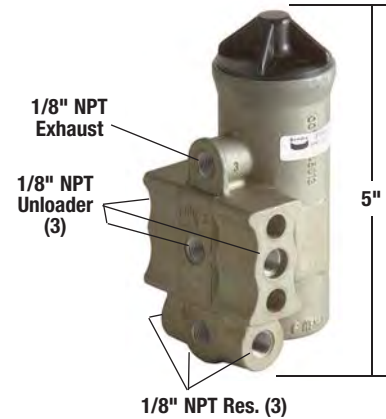
NA - Not Available

See pages 4 and 6 for additional Bendix® BA-921® and BA-922® compressor kits.

Bendix® D-2® Governor

- Available Remanufactured Exchange
- Maintenance Kit With High Temperature O-Rings Pc. No. 280915
- Maintenance Kit With Standard O-Rings 276121N
- Mounting Gasket 5007834
- Governor Check Valve Kit 5004049
- Governor Exhaust Breather 802161
- 90° Adapter Fitting 5008561
- Mounting Bolts 240910
- Operating cut-in and cut-out pressures are adjustable to OE equivalent pressures except for the non-adjustable governor.

| Reman. Exch. Pc. No. | Service New Pc. No. | Pressure Range (psi) | Comments |
|----------------------|---------------------|----------------------|----------------|
| — | 065018 | 100–120 | Non-Adjustable |
| — | 275200N | 90–105 | — |
| 275491RX | 275491N | 100–120 | — |
| — | 275508N | 95–110 | — |
| — | 275530N | 120–150 | — |
| 275707RX | 275707N | 105–125 | — |
| — | 277486N | 110–130 | — |
| — | 283657N | 115–135 | — |
| 284358RX | 284358N | 105–125 | See Note 1 |
| — | 800361N | 105–130 | Non-Adjustable |
| — | 801941 | 117–130 | Low Band |



Bendix® D-2® Governor

1 Governor supplied with high temperature o-rings and waterproof cover

V.M.R.S. 13-010-018

[SD-01-503](#)



Bendix® D-2A™ Governor
(Non-Adjustable)

Governor Maintenance Kit Contents 276121N and 280915

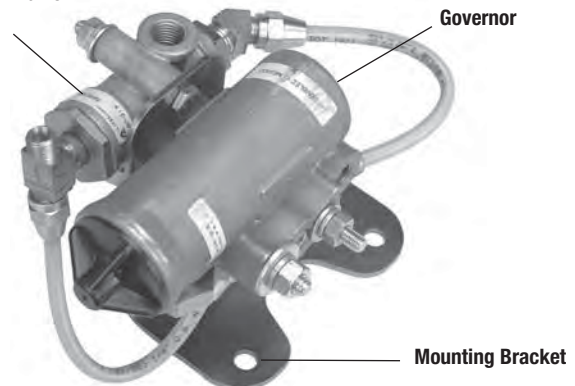


Bendix® D-2®/SV-1™ Module

Used in conjunction with the DuraFlo 596™ Compressor.

| Service New Pc. No. | Type |
|---------------------|--|
| 5005365N | Steel Piston SV-1™ Valve 130 PSI |
| 5007116 | Standard D-2®/SV-1™ Module |
| 5007404N | (High Temperature) w/unloader hose D-2®/SV-1™ Module |

Bendix® SV-1™ Valve

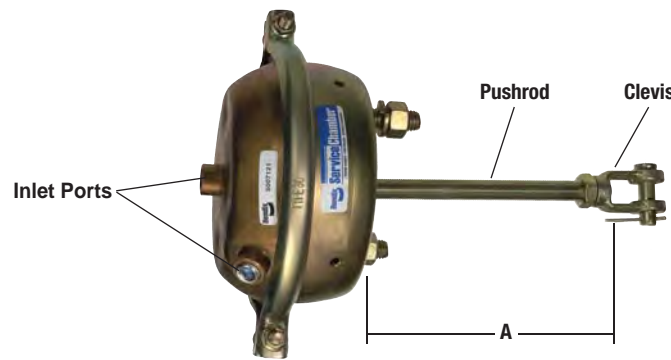


Brake Chambers

Fully Threaded Pushrod

V.M.R.S. 13-010-034

[SD-02-1302](#)



Brake Chamber with Welded Clevis

| Brake Chamber Type | Stroke | Service New Pc. No. w/o Yoke | A Pushrod Length | Service New Pc. No. w/Yoke | Inlet Port Size | Pushrod Thread | Rubber Diaphragm | Clamp Band | Spring |
|----------------------|--------|------------------------------|------------------|----------------------------|-----------------|----------------|------------------|------------|--------|
| Standard Yoke | | | | | | | | | |
| T12 | 1.75" | 800822 | 8.60" | 5007117N | 1/4"-18 NPTF | 1/2"-20 UNF | 802486 | 800906 | 800918 |
| T16 | 2.25" | 800823 | 8.60" | 5007118N | 1/4"-18 NPTF | 1/2"-20 UNF | 802487 | 800907 | |
| T20 LS | 2.50" | 802990 | 8.20" | 800824 | 3/8"-18 NPTF | 5/8"-18 UNF | K025490 | 800908 | 800919 |
| T24 | 2.50" | 802986 | 7.80" | 800825 | 3/8"-18 NPTF | 5/8"-18 UNF | 802489 | 800909 | |
| T24 ELS | 3.00" | — | 8.00" | K025365 | 3/8"-18 NPTF | 5/8"-18 UNF | 801378 | 800910 | |
| T30 | 2.50" | 800826 | 7.60" | 5007121N | 3/8"-18 NPTF | 5/8"-18 UNF | 802490 | 800910 | |
| T30 ELS | 3.00" | K025360 | 8.00" | K025356 | 3/8"-18 NPTF | 5/8"-18 UNF | 801379 | 800910 | |
| T36 | 3.00" | 800827 | 8.40" | 5007122N | 3/8"-18 NPTF | 5/8"-18 UNF | 802491 | 800911 | |
| Welded Clevis | | | | | | | | | |
| T20 LS | 2.50" | — | 2.25" | K058715 | 3/8"-18 NPTF | 5/8"-18 UNF | 802488 | 800908 | 800919 |
| T24 | 2.50" | — | 2.25" | K058691 | 3/8"-18 NPTF | 5/8"-18 UNF | 802489 | 800909 | |
| T24 ELS | 3.00" | — | 2.25" | K058753 | 3/8"-18 NPTF | 5/8"-18 UNF | 801378 | 800909 | |
| T30 | 2.50" | — | 2.25" | K058721 | 3/8"-18 NPTF | 5/8"-18 UNF | 802490 | 800910 | |
| T30 ELS | 3.00" | — | 2.25" | K058740 | 3/8"-18 NPTF | 5/8"-18 UNF | 801379 | 800910 | |

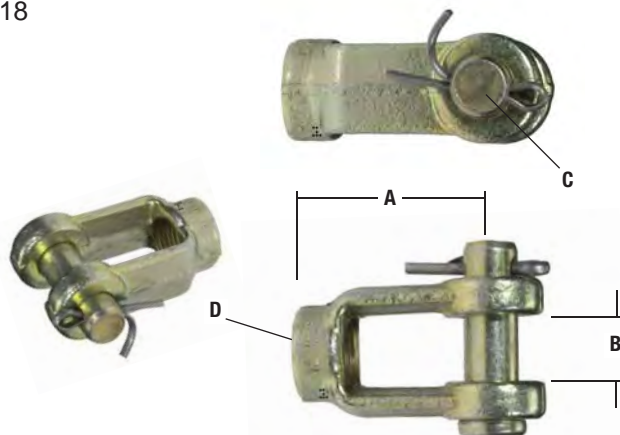


Diaphragm

Clevis / Yoke Assemblies

For Brake Chambers & Rotochambers

V.M.R.S. 13-004-018

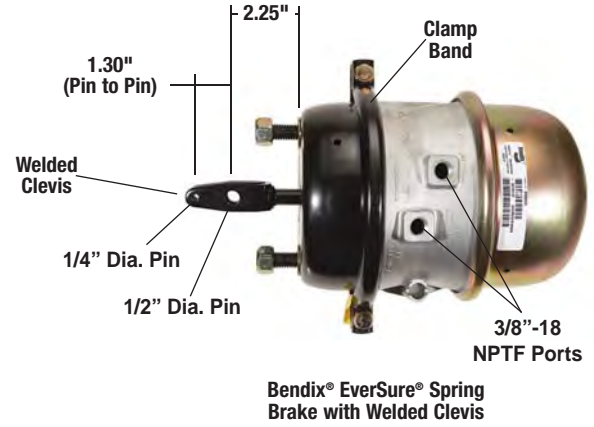
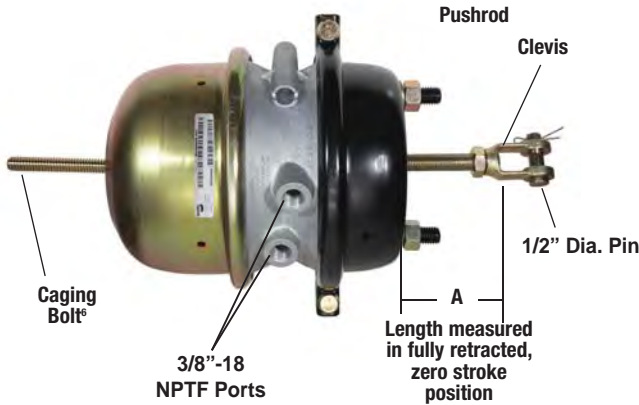


| Yoke Assembly Pc. No. | A End to Pin | B Slot Width | C Pin Dia. | D Thread Size |
|-----------------------|--------------|--------------|------------|---------------|
| 205948N | 1-3/4" | 9/16" | 1/2" | 1/2-20 |
| 228790N | 1-3/4" | 9/16" | 1/2" | 5/8-18 |
| 228798N | 1-3/4" | 9/16" | 5/8" | 5/8-18 |
| 229496N | 2" | 13/16" | 3/4" | 5/8-18 |
| 282592N | 2" | 13/16" | 3/4" | 3/4-16 |

Spring Brakes

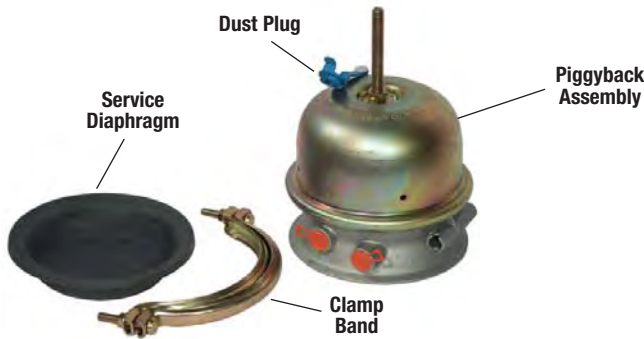
V.M.R.S. 13-010-025

[SD-02-4500](#)



Bendix® EnduraSure™-Pro Spring Brake with Welded Clevis

- Long life sealed chamber
- Incorporates a sealing plug that seals the parking/emergency side of the chamber
- Extended warranty



| Release Tools | |
|---------------|----------------------|
| Chamber Type | Release Tool Pc. No. |
| T XX/24 | 800921 |
| T XX30 | |
| T 36/36 | K024631 |

Refer to the table on the following page.

¹ Pushrod length measured in the fully retracted, zero stroke position. WC denotes welded clevis.

² Yoke piece number 228790N is included for non-welded clevis models. See Clevis/Yoke Assembly information section.

³ Piggyback kit includes: Piggyback assembly, clamp bands with hardware, and a rubber service diaphragm.

⁴ Service diaphragm piece number 802490 should be used when servicing earlier Bendix® Type 30/30 spring brake assemblies with a 2.50" stroke.

⁵ Dust plug piece number K034202 should be used if servicing earlier Bendix® SB-4™ Type 30/30 spring brake assemblies.

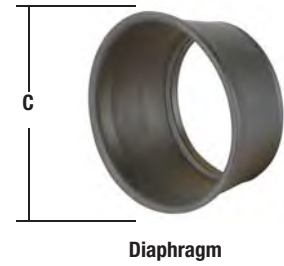
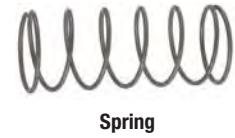
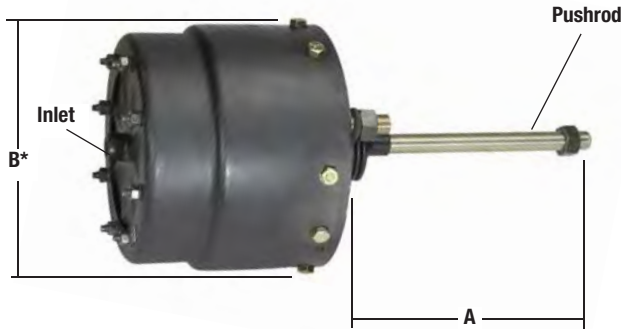
| Model & Type | Stroke | A Pushrod Length ¹ | Spring Brake Service New Pc. No. | | Piggyback Kit ³ | Piggyback | Rubber Service Dia-phragm ⁴ | Clamp Band | Dust Plug ⁵ | Service Return Spring |
|-------------------------|--------|-------------------------------|-------------------------------------|-----------------------|----------------------------|---------------|--|------------|------------------------|-----------------------|
| | | | w/o Clevis | w/Clevis ² | | | | | | |
| EverSure® 20/24 | 2.50" | 5.62" | NT2024LS-56 | — | NT2024LS-KIT | NT2024LS-PIG | K025490 | 800908 | K034202 | K088770 |
| | | 8.00" | NT2024LS-80 | — | | | | | | |
| | | 2.25" WC | — | NT2024LS-WC | | | | | | |
| EverSure 24/24 | 2.50" | 5.62" | NT2424LS-56 | — | NT2424LS-KIT | NT2424LS-PIG | 802489 | 800909 | K034202 | K088770 |
| | | 8.00" | NT2424LS-80 | — | | | | | | |
| | | 2.25" WC | — | NT2424LS-WC | | | | | | |
| EnduraSure™ 20/30 | 2.50" | 5.62" | NT2030STD-56 | — | NT2030STD-KIT | NT2030STD-PIG | K073327 | 800908 | K056732 | K111604 |
| | | 8.00" | NT2030STD-80 | — | | | | | | |
| | | 2.25" WC | — | NT2030STD-WC | | | | | | |
| EnduraSure 24/30 LS | 3.00" | 5.62" | NT2430ELS-56 | — | NT2430ELS-KIT | NT2430ELS-PIG | K071148 | 800909 | K057632 | K111604 |
| | | 8.00" | NT2430ELS-80 | — | | | | | | |
| | | 2.25" WC | — | NT2430ELS-WC | | | | | | |
| EnduraSure 30/30 | 2.50" | 5.62" | NT3030STD-56 | — | NT3030STD-KIT | NT3030STD-PIG | K037502 | 800910 | K057632 | 800919 |
| | | 7.80" | NT3030STD-78 | NT3030STD-78TC | | | | | | |
| | | 9.75" | K049898 | — | | | | | | |
| | | 12.00" | NT3030STD-120 | NT3030STD-120TC | | | | | | |
| | | 2.25" WC | — | NT3030STD-WC | | | | | | |
| | | 11.10" WC | — | K129605 | | | | | | |
| EnduraSure-Pro 30/30 | 2.50" | 2.25" WC | — | EPRO3030STD-WC | — | — | K037502 | 800910 | K115108 | 800919 |
| | | 6.8" WC | — | EPRO3030STD-68WC | | | | | | |
| | | 7.80" | EPRO3030STD-78 | EPRO3030STD-78TC | | | | | | |
| | | 9.70" | EPRO3030STD-97 | EPRO3030STD-97TC | | | | | | |
| | | 11.10" WC | — | EPRO3030STD-111WC | | | | | | |
| | | 12.00" | EPRO3030STD-120 | EPRO3030STD-120TC | | | | | | |
| EnduraSure 30/30 LS | 3.00" | 5.62" | NT3030ELS-56 | — | NT3030ELS-KIT | NT3030ELS-PIG | K132060 | 800910 | K115108 | 800920 |
| | | 8.00" | NT3030ELS-80 | NT3030ELS-80TC | | | | | | |
| | | 9.91" | NT3030ELS-99 | — | | | | | | |
| | | 2.25" WC | — | NT3030ELS-WC | | | | | | |
| EnduraSure-Pro 30/30 | 3.00" | 2.25" WC | — | EPRO3030ELS-WC | — | — | K132060 | 800910 | K115108 | 800920 |
| | | 6.8" WC | — | EPRO3030ELS-68WC | | | | | | |
| | | 8.00" | EPRO3030ELS-80 | EPRO3030ELS-80TC | | | | | | |
| | | 9.90" | EPRO3030ELS-99 | EPRO3030ELS-99TC | | | | | | |
| | | 11.10" WC | — | EPRO3030ELS-111WC | | | | | | |
| SB-4™ 30/36 | 2.50" | 7.80" | 800832 | — | K024654 | 5007127 | 802490 | 800910 | 802067 | 800919 |
| | | 9.05" | 5007133 | — | | | | | | |
| | | 2.25" WC | — | K102314 | | | | | | |
| SB-4 30/36 LS | 3.00" | 5.62" | K093670 | — | K093406 | K093405 | 801379 | 800910 | 802067 | K088770 |
| | | 8.00" | K093671 | — | | | | | | |
| | | 2.25" WC | — | K093672 | | | | | | |
| SB-4 36/36 | 3.00" | 8.50" | 800833 | 5007134N | K027243 | 5007128 | 802491 | 800911 | 802067 | 800920 |

Rotochambers

V.M.R.S. 13-010-034

[SD-02-1336](#)

Fully Threaded Pushrod



| Type | Service New Pc. No. | Port Size (NPT) | A Pushrod Length | Pushrod Thread | B Diameter* | Diaphragm Material and Size | | | Spring |
|------|---------------------|-----------------|------------------|----------------|-------------|-----------------------------|----------|------------|--------|
| | | | | | | Rubber | Neoprene | C Diameter | |
| T9 | 229814N | 1/4"-18 | 13" | 1/2"-20 | 4-3/4" | 231472 | 236524 | 4-5/16" | 231481 |
| T12 | 229815 | 3/8"-18 | 11" | 1/2"-20 | 5-9/32" | 231506 | 236525 | 4-27/32" | 231513 |
| T16 | 229816N | 3/8"-18 | 7-7/8" | 1/2"-20 | 5-7/8" | 231525 | 236526 | 5-7/16" | 231531 |
| T20 | 229817N | 3/8"-18 | 6-7/8" | 1/2"-20 | 6-13/32" | 231982 | 236527 | 5-31/32" | 231933 |
| T24 | 229818N | 1/4"-18 | 5-13/16" | 1/2"-20 | 6-15/16" | 231516 | 236528 | 6-7/16" | 231522 |
| T30 | 229819N | 1/4"-18 | 9-1/16" | 5/8"-18 | 7-17/32" | 231543 | 236529 | 7-3/32" | 231549 |
| T36 | 229820N | 1/4"-18 | 8-1/16" | 5/8"-18 | 8-5/32" | 231534 | 236530 | 7-21/32" | 231540 |
| T50 | 229821N | 3/8"-18 | 10-15/16" | 3/4"-16 | 9-13/32" | 231491 | 236531 | 8-29/32" | 231498 |

* Diameter "B" measurement includes the bolt heads.

Bendix® EverSure® Air Disc Brake Spring Brake Chamber

V.M.R.S. 13-010-025



| Type | Stroke | Spring Brake Service New Pc. No. | Diaphragm Kit | Clamp Ring Kit | Release Tool | Dust Plug | Bellows Kit |
|--------|---------------|----------------------------------|---------------|----------------|--------------|-----------|-------------|
| T16/24 | 2.25" (57 mm) | K042457 | K052484 | K090235 | 800921 | K034202 | K090594 |
| T18/24 | 2.25" (57 mm) | K132352 | K052484 | | | | |
| T20/24 | 2.50" (63 mm) | K041960 | K052486 | K090236 | | | |
| T22/24 | 2.50" (63 mm) | K043148 | K052487 | K090237 | | | |
| T24/24 | 2.50" (63 mm) | K043270 | K052488 | | | | |

The chamber type is noted as TXX/5.6kN on the chamber. Note that 5.6kN refers to the force of the power spring.

NG-3™ Piston Style Spring Brake Chamber

V.M.R.S. 13-010-025



| Type | Stroke | Spring Brake Service New Pc. No. | Diaphragm Kit | Clamp Ring Kit | Bellows Kit |
|--------|---------------|----------------------------------|---------------|----------------|-------------|
| T14/24 | 2.25" (57 mm) | K026735 | — | — | K090594 |
| T16/24 | 2.25" (57 mm) | K026731 | K052484 | K090235 | |
| T18/16 | 2.25" (57 mm) | K027557 | K052485 | | |
| T18/24 | 2.50" (63 mm) | K025670 | K052486 | K090236 | |
| T20/24 | 2.50" (63 mm) | K025669 | K052486 | | |
| T22/24 | 2.50" (63 mm) | K026737 | K052488 | K090237 | |
| T24/24 | 2.50" (63 mm) | K026734 | K052488 | | |

For additional air disc brake information, refer to product group/section 23 of this catalog.

Air Disc Brake Service Chambers

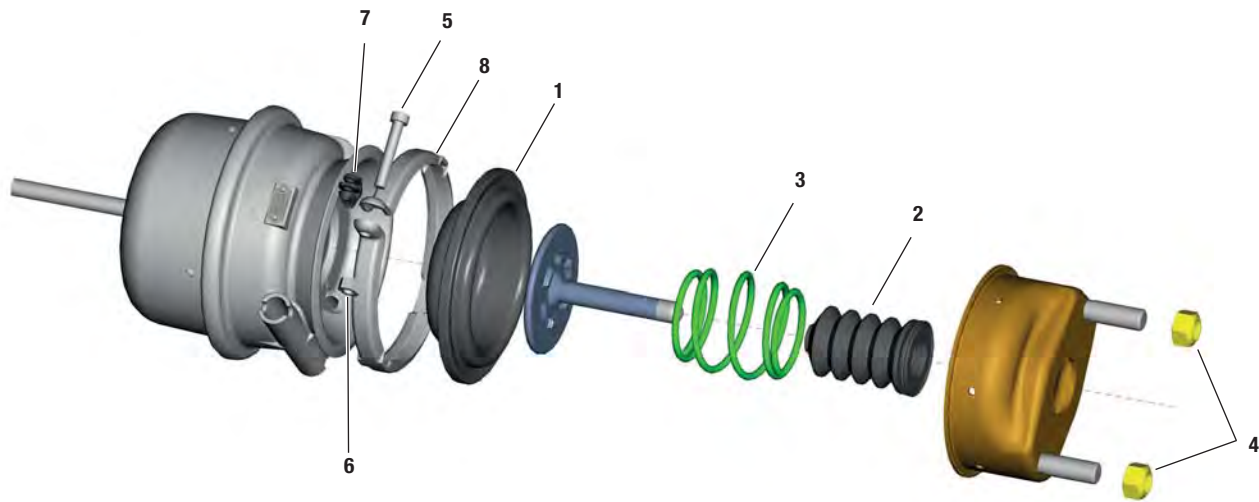
V.M.R.S. 13-010-034



| Type | Service New Pc. No. | Stroke | Diaphragm Kit | Clamp Ring Kit | Bellows Kit |
|------|---------------------|---------------|---------------|----------------|-------------|
| T12 | K028227 | 2.25" (57 mm) | — | — | K090594 |
| T14 | K028039 | 2.25" (57 mm) | | | |
| T16 | K028226 | 2.25" (57 mm) | K052484 | K090235 | |
| T18 | K028022 | 2.50" (63 mm) | K052486 | K090236 | |
| T20 | K028225 | 2.50" (63 mm) | K052086 | | |
| T22 | K028238 | 2.50" (63 mm) | K052487 | K090237 | |
| T24 | K028252 | 2.50" (63 mm) | K052488 | | |

For additional air disc brake information, refer to product group/section 23 of this catalog.

Maintenance Kits for Air Disc Brake Chambers



| Item No. | Description | Kit Contents | | |
|----------|---------------------------|---------------|----------------|-------------|
| | | Diaphragm Kit | Clamp Ring Kit | Bellows Kit |
| 1 | Diaphragm | 1 | — | — |
| 2 | Bellow | 1 | — | 1 |
| 3 | Spring | 1 | — | — |
| 4 | Lock Nut | 2 | — | 2 |
| 5 | Screw | 1 | 1 | — |
| 6 | Hex Nut | 1 | 1 | — |
| 7 | Spacing Sleeve | 1 | 1 | — |
| 8 | Clamp Ring | — | 1 | — |
| 9 | Grease Packet (not shown) | 1 | — | 1 |

Caution: Be sure to follow the instruction sheet included in the kit when servicing.
 The replacement diaphragm must match the original diaphragm.
 The clamp band torque is 28 Nm. (20 ft-lbs)
 The mounting nut torque is 180 Nm. (133 ft-lbs)

For additional air disc brake information, refer to product group/section 23 of this catalog.

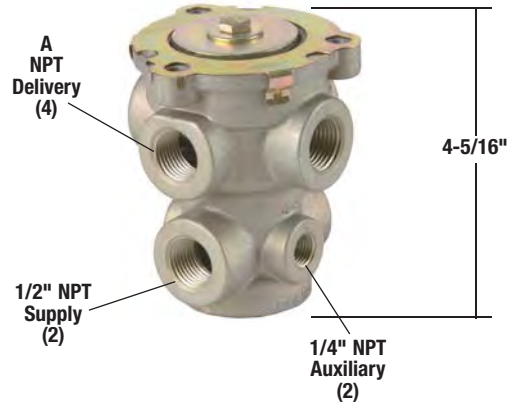
Bendix® E-2™ Brake Valve (Basic)

- Available Remanufactured Exchange
- Maintenance Kits
 - Pc. No. 276119N Minor Repair
 - Pc. No. 289324N Major Repair

Treadle and Mounting Plate not furnished.

V.M.R.S. 13-010-019
 i [SD-03-812](#)

| Reman. Exch. Pc. No. | Service New Pc. No. | A NPT (Delivery) |
|----------------------|---------------------|------------------|
| 229500RX | 229500N | 3/8" |
| 229501RX | 229501N | 1/2" |

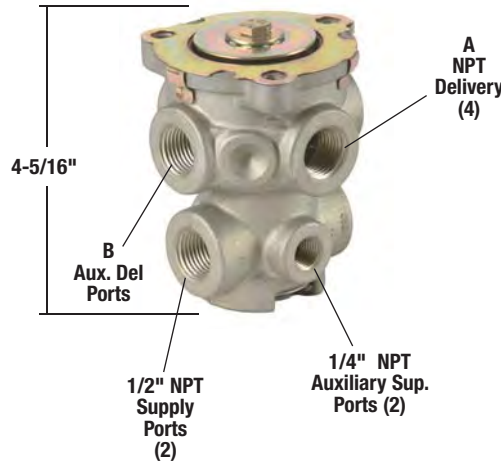


Bendix® E-3™ Brake Valve (Basic)

- Available Remanufactured Exchange
- Maintenance Kits
 - Pc. No. 276119N Minor Repair
 - Pc. No. 289329N Major Repair

Treadle and Mounting Plate not furnished.

V.M.R.S. 13-010-019
 i [SD-03-812](#)



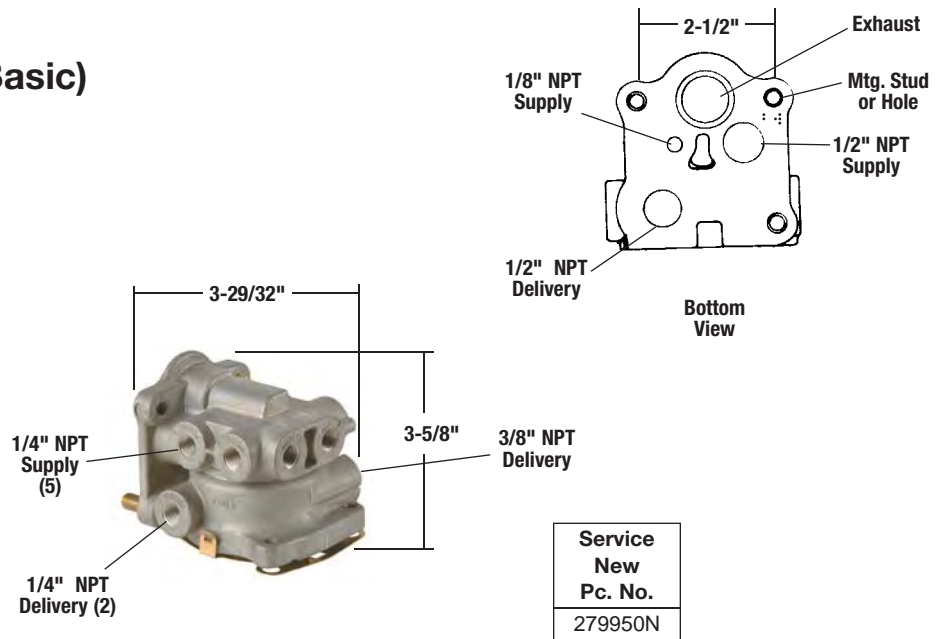
| Reman. Exch. Pc. No. | Service New Pc. No. | A NPT (Delivery) | B Auxiliary Ports |
|----------------------|---------------------|------------------|-------------------|
| 277863RX | 277863N | 1/2" | NONE |
| 278998RX | 278998 | 1/2" | 2-1/4" |

Bendix® E-5™ Brake Valve (Basic)

- Available Remanufactured Exchange
- Maintenance Kits
 - Pc. No. 281084N Minor Repair
 - Pc. No. 289334N Major Repair

Pedal and Mounting Plate not furnished.

V.M.R.S. 13-010-019
 i [SD-03-816](#)



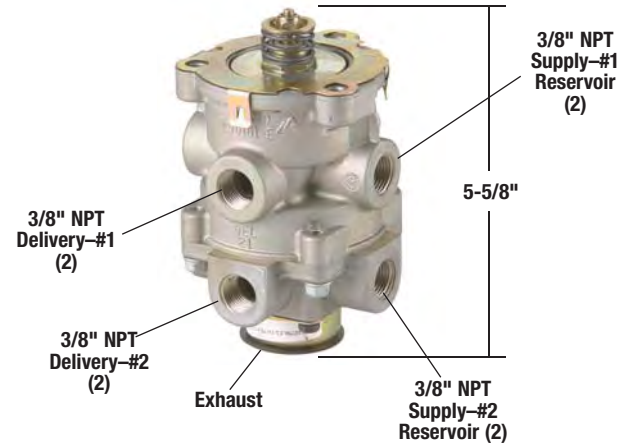
| Service New Pc. No. |
|---------------------|
| 279950N |

Bendix® E-6® Dual Brake Valve (Basic)

- Available Remanufactured Exchange
- Maintenance Kits
 - Pc. No. 287368N Minor Repair
 - Pc. No. 5019319 Minor Repair - High Temp
 - Pc. No. 289335 Major Repair

Treadle and Mounting Plate not furnished.

V.M.R.S. 13-010-051
 i [SD-03-817](#)



| Typical E-6 Brake Valve Assembly and Service Parts | | | | |
|--|---------------------------|---------|----------------|---------|
| Service New Assembly Pc. No. | Service New Valve Pc. No. | Treadle | Mounting Plate | Plunger |
| 286173N | 286171N | 226834N | 236979N | 236981N |

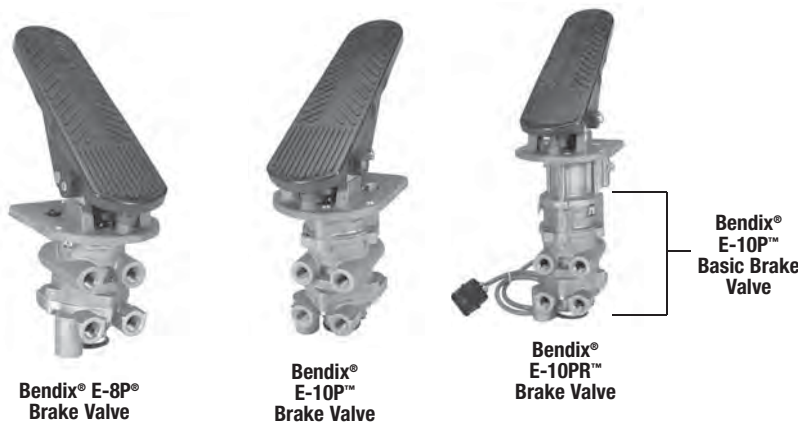
| Reman. Exch. Pc. No. | Service New Pc. No. | Comments |
|----------------------|---------------------|------------|
| 286171RX | 286171N | |
| - | 802911 | High Temp. |

Bendix® E-8P®, E-10P™ & E-10PR™ Dual Brake Valves

- Maintenance Kits
 - Pc. No. 287368N Minor Repair
 - Pc. No. 5019319 Minor Repair - High Temperature
 - Pc. No. 289335 Major Repair

V.M.R.S. 13-010-051
 i [SD-03-830](#) and [SD-03-832](#)

| Service New Bendix® E-8P® Brake Valve | Replaces Bendix® E-12™ Brake Valve | Comments* |
|---------------------------------------|------------------------------------|----------------------------|
| 800629 | 065313, 800583 | Lower Body Rotated 90° |
| 800630 | 065458 | Lower Body Rotated 90° |
| 800631 | 065460, 800407 | 1/2" NPT Exhaust |
| 802924 | — | High Temp |
| 800599 | — | PTC Fittings |
| 5008547 | 800171 | Includes Valve and Plunger |



| Service New Bendix® E-10P™ Brake Valve | Replaces Bendix® E-15™ Brake Valve |
|--|------------------------------------|
| 800632 | 065315 800318 |

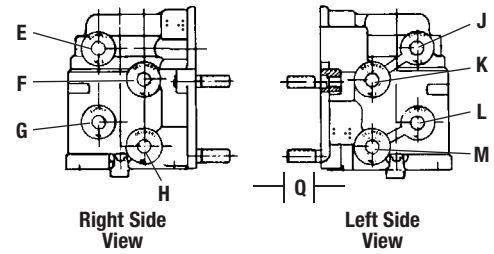
| Service New Bendix® E-10P™ Brake Valve | Replaces Bendix® E-15R™ Brake Valve |
|--|-------------------------------------|
| 800632 | 800319 |

*PTC - Push-To-Connect Fittings

| Typical E-8P Brake Valve Assembly and Service Parts | | | | | |
|---|----------------------------|---------|----------------|---------|---------|
| Service New Assembly Pc. No. | Mounting Plate and Treadle | Treadle | Mounting Plate | Treadle | Plunger |
| 800633 | 103197N | 109428 | 236979N | 109176 | 112336 |

Bendix® E-7™ Dual Brake Valve (Basic)

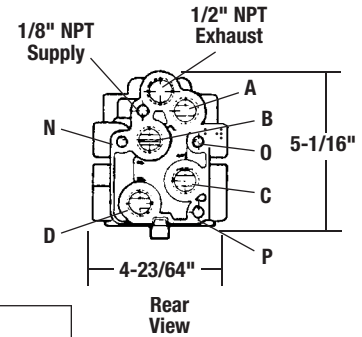
- Available Remanufactured Exchange
- Maintenance Kits
 - Pc. No. 289352N Minor Repair
 - Pc. No. 289353 Major Repair
 - Pc. No. 261047 O-Ring Kit



Pedal and Mounting Plate not furnished.

V.M.R.S. 13-010-051

[i SD-03-818](#)



| Reman. Exch. Pc. No. | Service New Pc. No. | Port Thread Sizes & Locations | | | | | | | | | | | | Mtg. Studs in Positions "N", "O" "P" Above | Stud Length Q | Stud Thread Size |
|----------------------|---------------------|-------------------------------|--------|--------|--------|-----|-----|-----|-----|-----|-----|-----|-----|--|---------------|------------------|
| | | A | B | C | D | E | F | G | H | J | K | L | M | | | |
| †284760RX | †284760N | No Thd | No Thd | No Thd | No Thd | 1/4 | - | 1/4 | - | - | - | - | - | No | - | - |
| 286773RX | 286773 | 1/2 | 1/2 | 1/2 | 1/2 | 1/4 | 1/4 | 1/4 | 1/4 | 1/4 | 1/4 | 1/4 | 1/4 | Yes | 1-1/2" | 3/8"-24 |
| 286775RX | - | 1/2 | 1/2 | 1/2 | 1/2 | 1/4 | 1/4 | 1/4 | 1/4 | 1/4 | 1/4 | 1/4 | 1/4 | Yes | 3/4" | 3/8"-16 |
| 287411RX | 287411N | 1/2 | 1/2 | 1/2 | 1/2 | 1/4 | 1/4 | 1/4 | 1/4 | 3/8 | 3/8 | 3/8 | 3/8 | No | - | - |
| *287564RX | *287564N | 1/2 | 1/2 | 1/2 | 1/2 | 1/4 | 3/8 | 1/4 | 3/8 | 1/4 | 1/4 | 1/4 | 1/4 | Yes | 15/16" | 3/8"-16 |
| *288383RX | *288383N | 1/2 | 1/2 | 1/2 | 1/2 | 1/4 | 1/4 | 1/4 | 1/4 | 1/4 | 1/4 | 1/4 | 1/4 | No | - | - |
| 101818RX | 101818N | 1/2 | 1/2 | 1/2 | 1/2 | 1/4 | 3/8 | 1/4 | 3/8 | 1/4 | 3/8 | 1/4 | 3/8 | No | - | - |

† Ford® Basic Valve Kit: Includes a basic valve and 10 sealing rings.
 * Exhaust port contains a diaphragm.

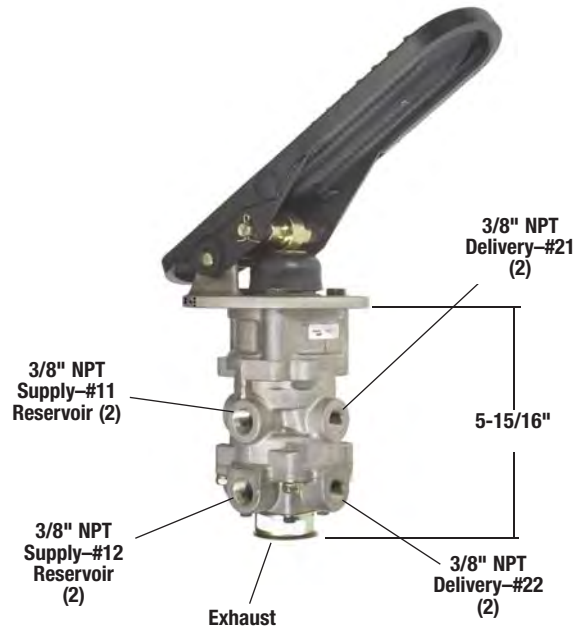
Bendix® E-10™ Dual Brake Valves (Basic)

- Maintenance Kit
 - Pc. No. 102100

Treadle and Mounting Plate not furnished.

V.M.R.S. 13-010-051

[i SD-03-817](#)



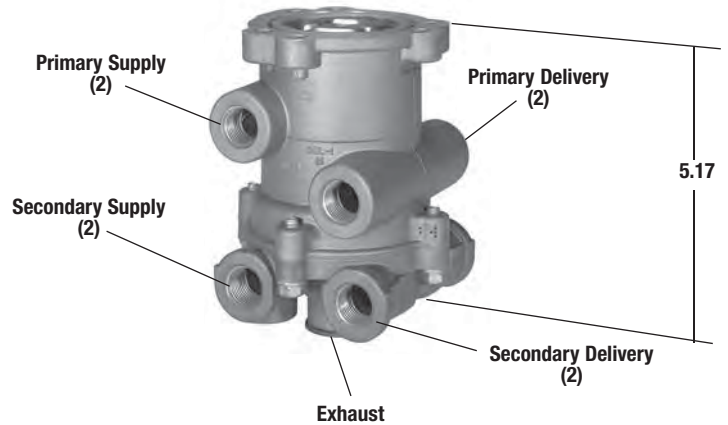
| Reman Exch. Pc. No. | Service New Pc. No. |
|---------------------|---------------------|
| 101100RX | 101100N |

Bendix® E-12™ & E-15™ Dual Brake Valves

- Maintenance Kit Pc. No. 108367 Minor Repair

V.M.R.S. 13-010-051

[SD-03-826](#)

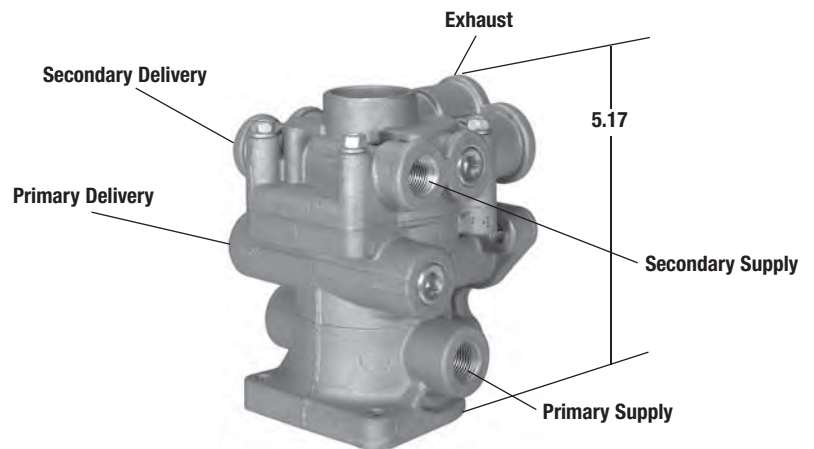


Bendix® E-14™ Dual Brake Valve (Basic)

- Maintenance Kit Pc. No. 108367 (Minor Repair)

V.M.R.S. 13-010-051

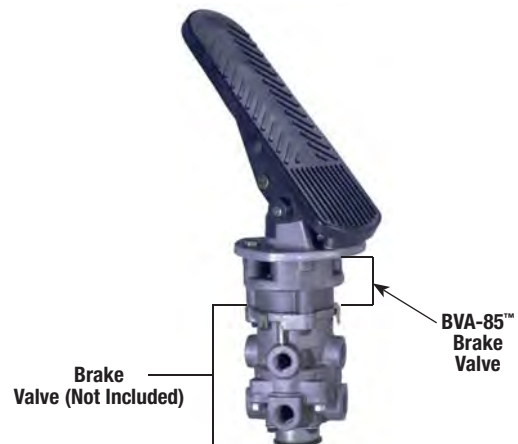
[SD-03-828](#)



Bendix® BVA-85™ Brake Valve Actuator

| Service New Pc. No. | Comments* |
|---------------------|----------------------------|
| 5009593 | 1/4" PTC Port |
| 5009594 | 1/4" NPT Port |
| K039060 | 1/4" NPT Port - High Temp. |

*PTC - Push-To-Connect Fittings



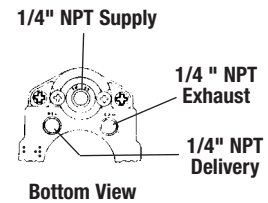
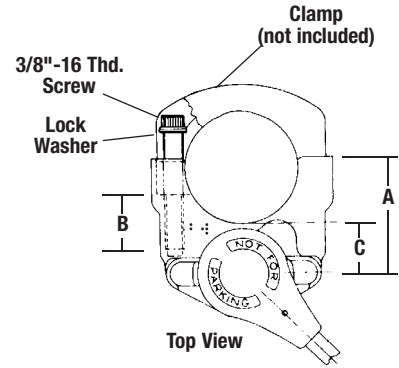
Bendix® TC-2™ Brake Valve (Basic)

- Available Remanufactured Exchange
- Maintenance Kit Pc. No. 276122

Handle not furnished.

V.M.R.S. 13-010-014

[SD-03-813](#)



| Reman. Exch. Pc. No. | Service New Pc. No. | Graduated Range Pressure (psi) | Final Delivery Pressure (psi) | A | B Thd./Drill Depth | C |
|----------------------|---------------------|--------------------------------|-------------------------------|-------|--------------------|------|
| - | 101460 | 5-125 | 125 | 2.35" | 1.4" | .97" |
| 276270RX | 276270N | 5-80 | Reservoir | 3.44" | 1.1" | 2.1" |
| - | 800172 | 5-125 | Reservoir | 1.25" | Through | .09" |
| - | 800173 | 5-80 | 80 | 1.25" | Through | .09" |
| - | 802634 | 5-80 | 80 | 3.44" | 1.1" | 2.1" |

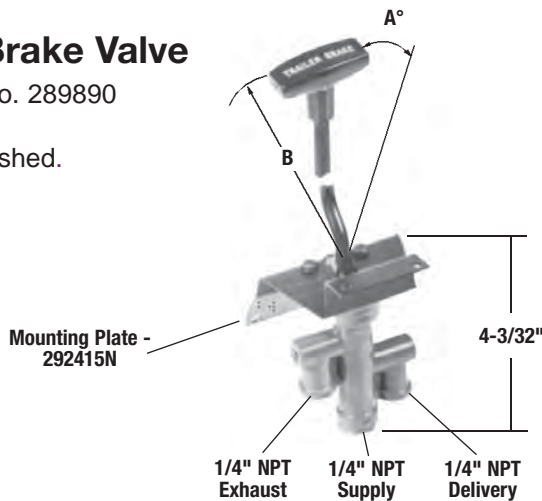
Bendix® TC-6™ Brake Valve

- Maintenance Kit Pc. No. 289890

Mounting Plate not furnished.

V.M.R.S. 13-010-159

[SD-03-821](#)



| Service New Pc. No. | Handle | | Final Delivery Pressure (psi) |
|---------------------|--------|----------------------|-------------------------------|
| | A° | B | |
| 065512 | 55 | 7.03" | 85 |
| 106385 | 55 | 8.93" Self-returning | 85 |
| 101786N | 75 | 8.52" | 120 |
| 289884N | 75 | 4.5" | 120 |
| 289885N | 75 | 4.5" | 50 |
| 5003601N | 55 | 8.9" | 85 |

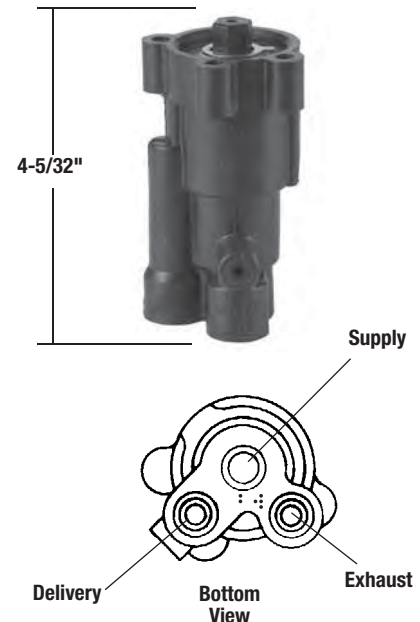
Bendix® TC-7™ Brake Valve

- Maintenance Kit Pc. No. 102145

Handle and Mounting Bracket not furnished.

V.M.R.S. 13-010-159

[SD-03-824](#)



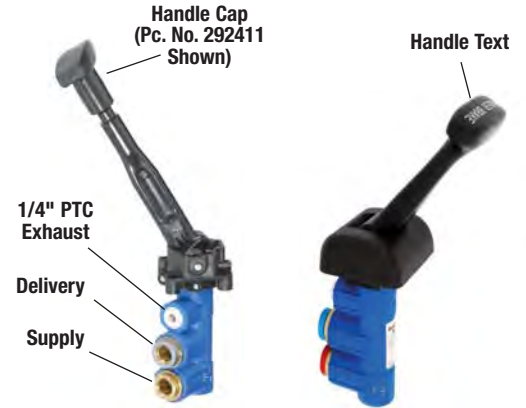
| Service New Pc. No. | Comments | Handle Travel | Final Delivery Pressure | Port Sizes |
|---------------------|----------------|---------------|-------------------------|------------|
| 101860 | Positioning | 71° CW | Reservoir | 1/4" PT |
| 102394N | Self-returning | 71° CW | Reservoir | 1/4" PT |
| 102707 | Positioning | 50° CW | 80 psi | 1/4" PT |
| 108233N | Self-returning | 50° CW | 80 psi | 1/4" PT |
| K112644 | Positioning | 71° CW | Reservoir | 3/8" PTC |
| K112648 | Self-returning | 71° CW | Reservoir | 3/8" PTC |

*PTC - Push-To-Connect Fittings

Bendix® TCS-9000™ Control Valve

[SD-03-3674](#)

| Service New Pc. No. | Supply | Delivery | Comments | Handle Text |
|---------------------|--------|----------|----------------|---------------------------------|
| 802033 | 3/8" | 3/8" | Self-returning | No Handle Cap |
| K031988 | 3/8" | 3/8" | Self-returning | No Handle Cap |
| K024944 | 1/4" | 1/4" | Self-returning | Rear Brake |
| K024946 | 3/8" | 3/8" | Self-returning | Trailer Brake |
| K024947 | 3/8" | 3/8" | Self-returning | Rear Brake |
| K024948 | 3/8" | 3/8" | Positioning | Trailer Brake - Not for Parking |
| K120683 | 3/8" | 3/8" | Self-returning | ISO Symbol |



*PTC – Push-To-Connect Fittings

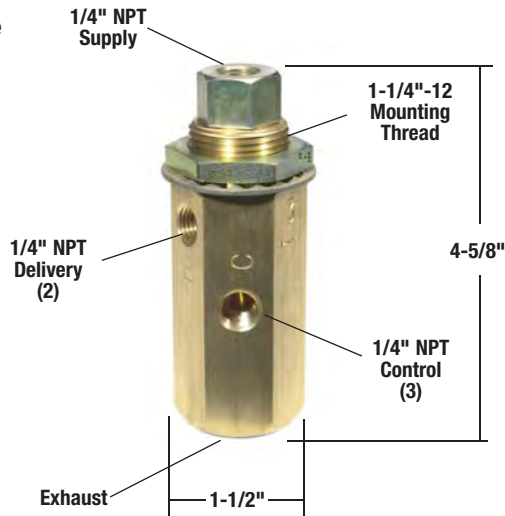
Bendix® TR-2™ Inversion Valve

- Available Remanufactured Exchange
- Maintenance Kit 281138N

V.M.R.S. 13-010-047

[SD-03-4650](#)

NOTE: With 125 psi supply pressure, valve must begin to exhaust at 65 psi nominal ascending control pressure. Valve must deliver full supply pressure with 40 psi nominal descending control pressure.



| Reman. Exch. Pc. No. | Service New Pc. No. | Comments |
|----------------------|---------------------|------------|
| 277340RX | 277340N | — |
| — | 101125N | Brass Body |

Bendix® TR-3™ Inversion Valve

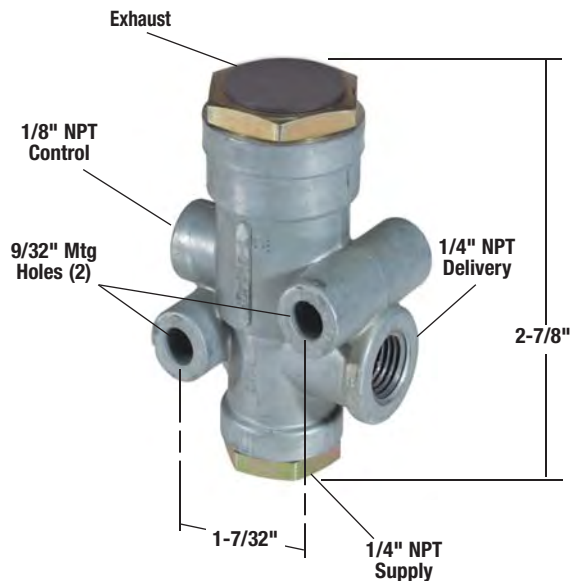
- Available Remanufactured Exchange

V.M.R.S. 13-010-047

[SD-03-4650](#)

NOTE: With common control & supply pressure, inlet opens at “A” descending pressure and exhaust opens at “B” ascending pressure.

| Reman. Exch. Pc. No. | Service New Pc. No. | A (psi) | B (psi) |
|----------------------|---------------------|---------|---------|
| — | 280758N | 45 | 60 |
| 281318RX | 281318N | 35 | 70 |
| 281459RX | 281459N | 25 | 40 |
| *101450RX | *101450N | 25 | 40 |



*Special-Duty Bus Application

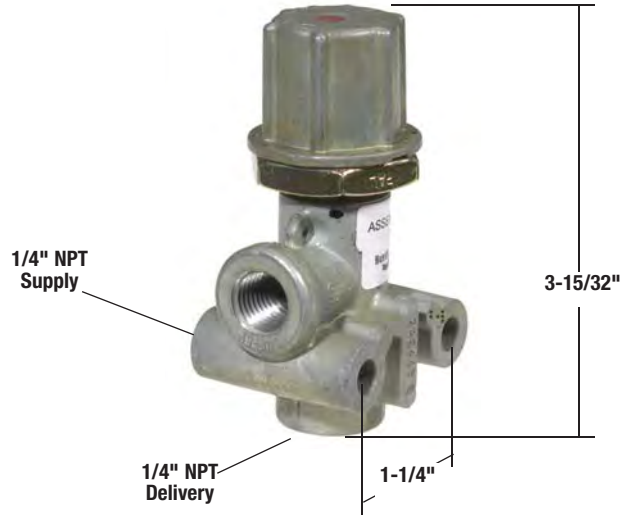
Bendix® PR-2™ Pressure Protection Valve

V.M.R.S. 13-010-044

[SD-03-2010](#)

With Adjustable Pressure Setting.

| Reman. Exch. Pc. No. | Service New Pc. No. | Nominal Closing Pressure (psi) | Comments |
|----------------------|---------------------|--------------------------------|------------|
| 277147RX | 277147N | 65 | — |
| 277148RX | 277148N | 85 | — |
| — | 277222N | 95 | — |
| 277226RX | 277226N | 60 | — |
| — | 277227N | 75 | — |
| — | 279505N | 65 | w/lockwire |
| — | 281467N | 50 | — |
| — | 282517N | 60 | w/lockwire |



Bendix® PR-3™ Pressure Protection Valve

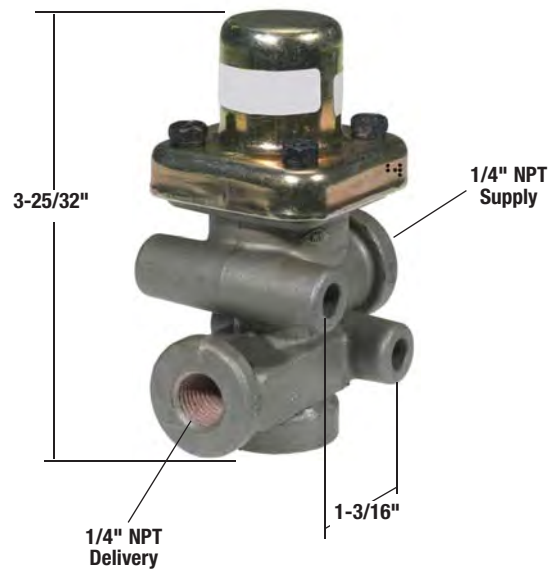
• Maintenance Kit Pc. No.

V.M.R.S. 13-010-044

[SD-03-2010](#)

Fixed Pressure Setting.

| Service New Pc. No. | Opening Pressure (psi) | Nominal Closing Pressure (psi) |
|---------------------|------------------------|--------------------------------|
| 065211 | 92-98 | — |
| 065436 | — | 71-79 |
| 101275N | — | 70 |
| 286460N | — | 60 |
| 801624 | 100-106 | 90 |



Bendix® PR-4™ Pressure Protection Valve

• Maintenance Kit Pc. No. 287366

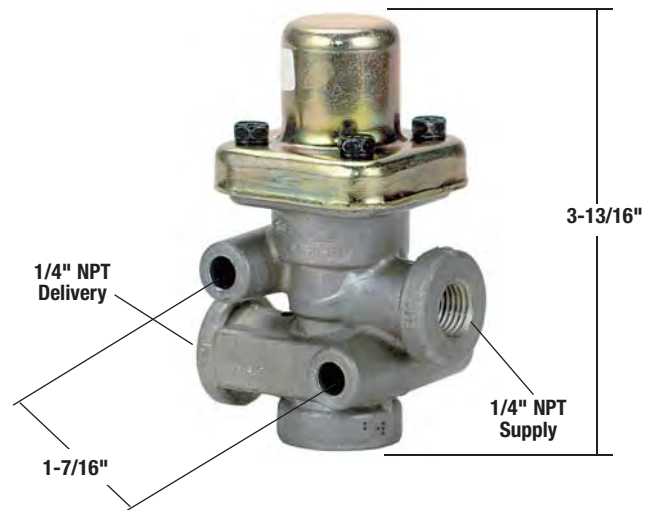
(Note: Not for use with Pc. No. 103976N)

V.M.R.S. 13-010-044

[SD-03-2010](#)

Fixed Pressure Setting.

| Reman. Exch. Pc. No. | Service New Pc. No. | Nominal Closing Pressure (psi) | Supply & Delivery Ports |
|----------------------|---------------------|--------------------------------|-------------------------|
| 286500RX | 286500N | 85 | 1/4" |
| 288323RX | 288323N | 70 | 1/4" |



Bendix® Single Check Valves

• Bendix® SC-3™ valves replace both the Bendix® SC-1™ and SC-2™ valves

V.M.R.S. 13-010-013

[SD-03-2205](#)



| Single Check Valve: Female inlet – Female outlet | | |
|--|------|---------------------|
| A | B | Service New Pc. No. |
| 1/4" | 1/4" | 801144 |
| 1/2" | 1/2" | 800370 |
| 3/4" | 3/4" | 800369 |

| Single Check Valve: Female inlet – Male outlet | | |
|--|------|---------------------|
| A | B | Service New Pc. No. |
| 1/4" | 1/8" | 800374 |
| 1/4" | 1/4" | 800375 |
| 3/8" | 3/8" | 800373 |
| 1/2" | 1/2" | 800372 |

| Single Check Valve: Female inlet – Male outlet | | |
|--|------|---------------------|
| A | B | Service New Pc. No. |
| 1/2" | 1/2" | K112234 |

| Composite Single Check Valve: Female inlet – Male outlet | | |
|---|------|---------------------|
| A | B | Service New Pc. No. |
| 1/2" PTC | 1/2" | K114066 |

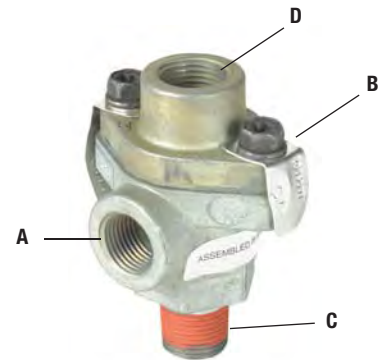
Bendix® Double Check Valves

V.M.R.S. 13-010-092

[SD-03-2202](#)



| Service New Pc. No. | Pipe Thread Dimensions | | |
|---------------------|------------------------|------|------|
| | A | B | C |
| 278614N | 3/8" | 3/8" | 3/8" |
| 278615N | 1/4" | 1/4" | 1/4" |



| Service New Pc. No. | Pipe Thread Dimensions | | | |
|---------------------|------------------------|------|------|------|
| | A | B | C | D |
| 278595N | 1/4" | 1/4" | 1/2" | 1/4" |
| 278596N | 3/8" | 3/8" | 1/2" | 1/4" |
| 278597N | 1/4" | 1/4" | 3/8" | 1/4" |
| 278598N | 3/8" | 3/8" | 3/8" | 1/4" |
| 280809N | 3/8" | 3/8" | 3/8" | 3/8" |



The name says it all.



1-800-AIR-BRAKE (1-800-247-2725)
Bendix Commercial Vehicle Systems LLC
bendix.com

Get convenient, quick and easy access to the Bendix service and support areas you call most at **1-800-AIR-BRAKE (1-800-247-2725)**.

One number puts you in touch with a host of Bendix experts, including our seasoned technical support professionals, our customer service team, and even order assistance. Get answers to your warranty questions, learn about our latest air brake training schools and so much more. It's all right at your fingertips. Call us today!



Call **1-800-AIR-BRAKE** to reach Bendix Commercial Vehicle Systems LLC

Press

| | |
|---|---|
| 1 | for Customer Service or to Place An Order |
| 2 | for Product Technical Assistance (Tech Team) |
| 3 | for Air Brake Training |
| 4 | for a List of Bendix Aftermarket Account Managers |
| 5 | for Ordering Product Literature |
| 6 | for bendix.biz Support Specialist |
| 9 | to Repeat the Menu |
| 0 | for a Bendix Operator |

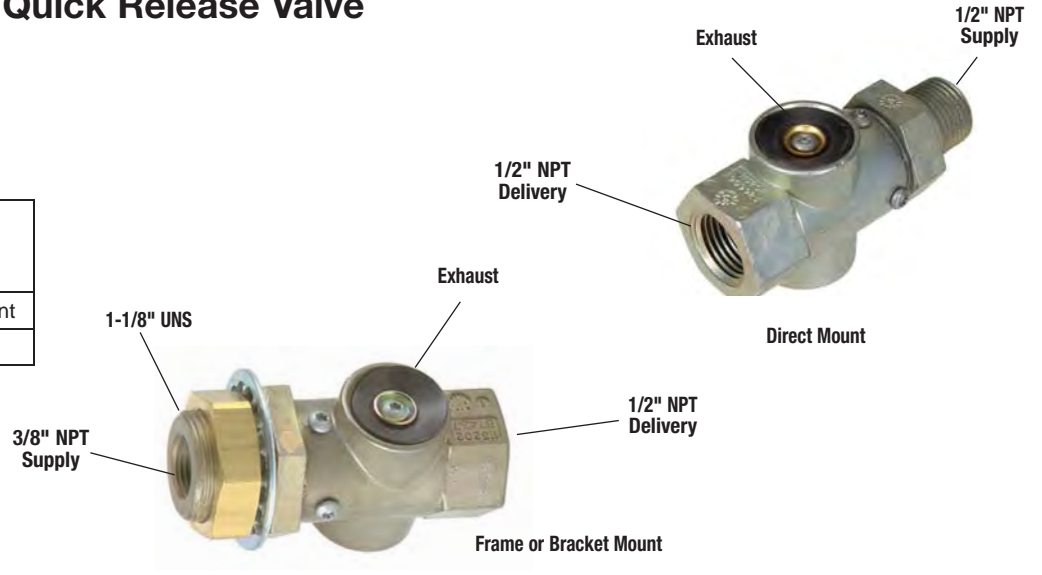
or visit us online at bendix.com.

Bendix® QR-L™ Inline Quick Release Valve

V.M.R.S. 13-010-008

[SD-03-906](#)

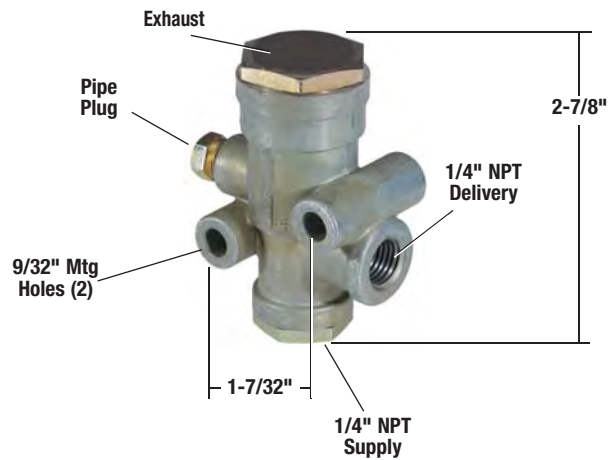
| Service New Pc. No. | Comments |
|---------------------|------------------------|
| 800332 | Frame or Bracket Mount |
| 800333 | Direct Mount |



Bendix® RV-3™ Pressure Reducing Valve

[SD-03-3515](#)

| Service New Pc. No. | Delivery Pressure (psi) |
|---------------------|-------------------------|
| 101837N | 85 |
| 107154N | 44 |
| K028994 | 37 |



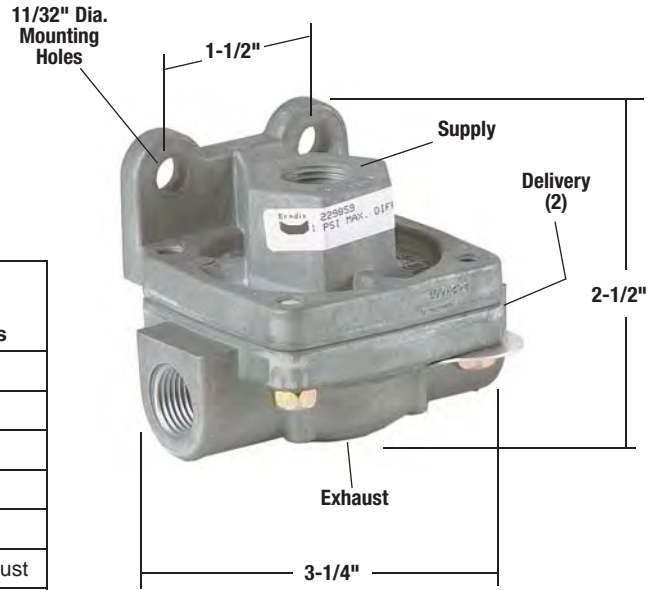
Bendix® QR-1® Quick Release Valve

- Available Remanufactured Exchange
- Use maintenance kit piece no. 260519 to convert 0 psi crack pressure valves to 1 psi

V.M.R.S. 13-010-008

[SD-03-901](#)

| Reman. Exch. Pc. No. | Service New Pc. No. | Supply Port (PT) | Delivery Ports (PT) | Crack Pressure (psi) | Comments |
|----------------------|---------------------|------------------|---------------------|----------------------|-----------------|
| 229813RX | 229813N | 3/8" | 1/4" | 0 | |
| 229844RX | 229844N | 1/2" | 1/4" | 0 | |
| 229859RX | 229859N | 3/8" | 3/8" | 0 | |
| 229860RX | 229860N | 1/2" | 3/8" | 0 | |
| 281024RX | 281024N | 1/4" | 1/4" | 0 | |
| 288251RX | 288251N | 3/8" | 3/8" | 0 | 3/8" PT Exhaust |
| 278483RX | 278483N | 1/2" | 3/8" | 5-8 | |
| - | 102344N | 3/8" | 3/8" | 10-16 | |
| 289525RX | 289042N | 3/8" | 1/4" | 1 max | w/Insert |
| 289525RX | 289525N | 3/8" | 3/8" | 1 max | w/Insert |



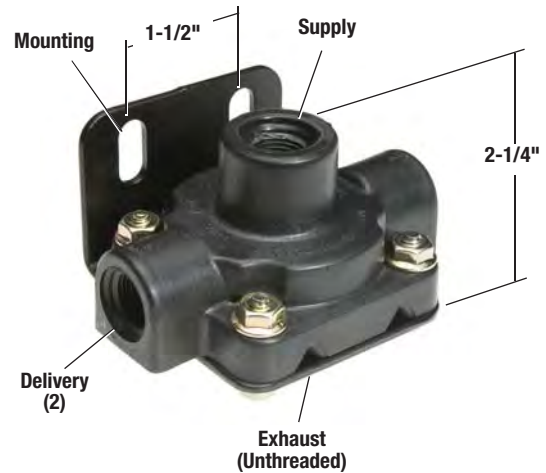
Bendix® QRN™ Quick Release Valve

- Maintenance Kit 104463

V.M.R.S. 13-010-008

[SD-03-905](#)

| Service Part No. | Mounting Hole or Slot | Differential Pressure (psi) | Supply Port* | Delivery Port* |
|------------------|-----------------------|-----------------------------|--------------|----------------|
| 802741 | .34" Dia | 5-8 | 3/8" PT | 3/8" PT |
| 802742 | .34" Dia | 5-8 | 1/2" PT | 3/8" PT |
| 802743 | .34" Dia | 1 Max | 3/8" PT | 3/8" PT |
| 802744 | Slot .75 x .34 in | 1 Max | 3/8" PT | 3/8" PT |
| 802745 | .34" Dia | 1 Max | 1/2" PT | 3/8" PT |
| 803074 | Slot .75" x .34" | 2-4.5 | 3/8" PT | 3/8" PT |
| 803075 | Slot .75" x .34" | 2-4.5 | 1/2" PT | 3/8" PT |
| 803076 | Slot .75" x .34" | 4.5-7.5 | 3/8" PT | 3/8" PT |
| 803077 | Slot .75" x .34" | 4.5-7.5 | 1/2"-14 PT | 3/8" PT |
| K049775 | Slot .75" x .34" | 0 | 1/2" PTC | 1/2" PTC |
| K049776 | Slot .75" x .34" | 0 | 1/2" PT | 3/8" PT |
| K049777 | Slot .75" x .34" | 0 | 3/8" PT | 3/8" PT |



| Silencer Kit Complete (Adapter & Silencer) | Silencer Adapter | Silencer |
|--|------------------|----------|
| K028796 | K023669 | K028795 |

*PTC - Push-To-Connect Fittings

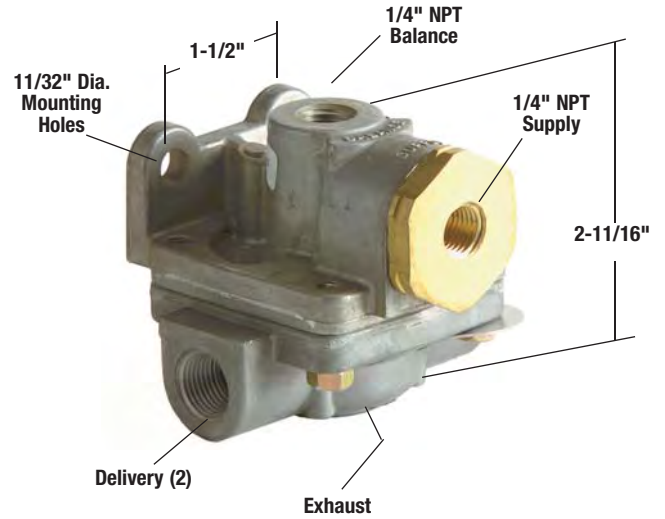
Bendix® QR-1C® Quick Release Valve

- Available Remanufactured Exchange
- Use maintenance kit piece no. 260519 to convert 0 psi crack pressure valves to 1 psi

V.M.R.S. 13-010-008

[SD-03-904](#)

| Reman. Exch. Pc. No. | Service New Pc. No. | Delivery Port (NPT) | Exhaust Port (NPT) | Crack Pressure (psi) |
|----------------------|---------------------|---------------------|--------------------|----------------------|
| 289182RX | 289182N | 1/4" | – | 0 |
| 289714RX | 289714N | 3/8" | – | 0 |
| – | 107881N | 3/8" | 1/2" w/ Silencer | 0 |
| – | 800539 | 3/8" | – | 1 Max |
| – | 109094N | 3/8" | – | 5-8 |



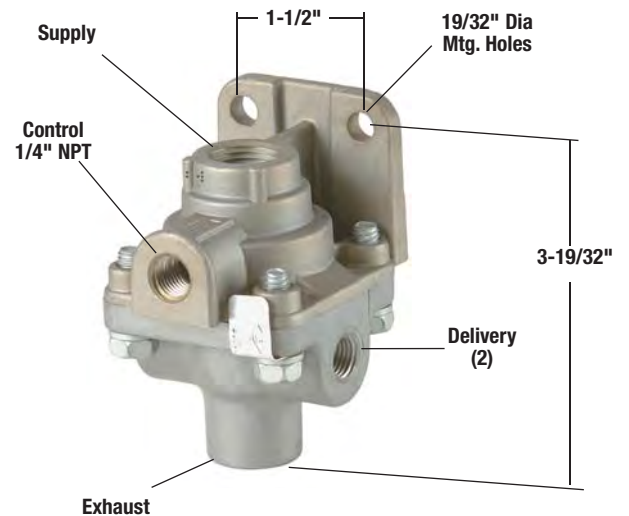
Bendix® LQ-2™ Limiting and Quick Release Valve

- Available Remanufactured Exchange
- Maintenance Kit 282098N

V.M.R.S. 13-010-008

[SD-03-950](#)

| Reman. Exch. Pc. No. | Service New Pc. No. | Supply Port (NPT) | Delivery Port (NPT) | Exhaust Port (NPT) |
|----------------------|---------------------|-------------------|---------------------|--------------------|
| 229505RX | 229505N | 3/8" | 3/8" | – |
| 229507RX | 229507N | 1/2" | 1/4" | – |
| 229509RX | 229509N | 3/8" | 1/4" | – |
| 288417RX | 288417N | 3/8" | 3/8" | 3/8" |



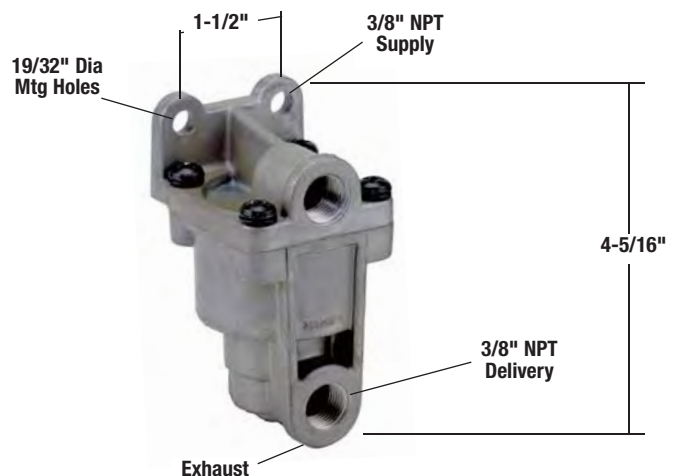
Bendix® LQ-4™ Front Axle Ratio Valve

- Available Remanufactured Exchange
- Maintenance Kit 289500N

V.M.R.S. 13-010-034

[SD-03-951](#)

| Reman. Exch. Pc. No. | Service New Pc. No. | Nominal Hold Off Pressure (psi) | Nominal Equalizing Pressure (psi) |
|----------------------|---------------------|---------------------------------|-----------------------------------|
| 101311RX | 101311N | 20 | 70 |
| 289144RX | 289144N | 4 | 60 |
| 289148RX | 289148N | 10 | 65 |



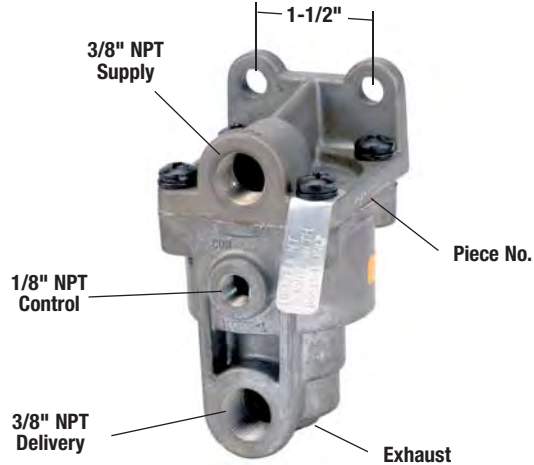
Bendix® LQ-5™ Bobtail Limiting Valve

- Available Remanufactured Exchange
- Maintenance Kit 107195

V.M.R.S. 13-010-010

[SD-03-953](#)

| Reman. Exch. Pc. No. | Service New Pc. No. |
|----------------------|---------------------|
| 065154RX | 065154 |



Bendix® BP-1™ Air Brake Proportioning Valve

- BP-1™ Air Brake Proportioning Valve Front Maintenance Kit 104710
- BP-1™ Air Brake Proportioning Valve Rear Maintenance Kit 104711

[SD-03-952](#)

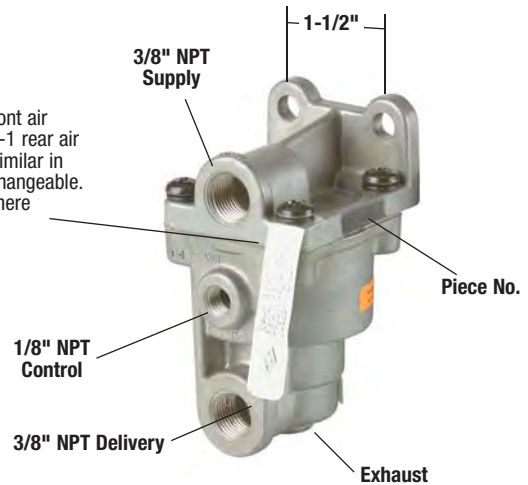
V.M.R.S. 13-010-222

| Front Service New Pc. No. | Nominal Hold Off Pressure (psi) | Nominal Equalizing Pressure (psi) |
|---------------------------|---------------------------------|-----------------------------------|
| 104598N | 4 | 50 |

V.M.R.S. 13-010-222

| Rear Service New Pc. No. | Nominal Inshot Pressure (psi) | Nominal Equalizing Pressure (psi) |
|--------------------------|-------------------------------|-----------------------------------|
| 106284 | 8 | 105 |

Caution: The Bendix® BP-1™ front air brake proportioning valve & BP-1 rear air brake proportioning valve are similar in appearance but are NOT interchangeable. Note identification tag located here



- Field Installation Kit **209924** (vehicles *with* front axle limiting)

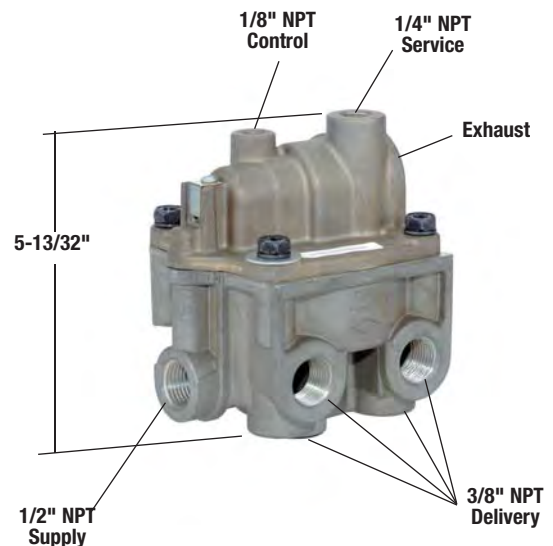
BP-R1® Bobtail Brake Proportioning Relay Valve

- Maintenance Kit 106932
- Universal Mounting Bracket 296010N furnished with Exchange Valve

V.M.R.S. 13-010-222

[SD-03-1067](#)

| Reman. Exch. Pc. No. | Service New Pc. No. | Crack Pressure |
|----------------------|---------------------|----------------|
| 065145RX | 065145N | 4 |
| 065146RX | 065146N | 5.5 |



Bendix® PP-1® Control Valve

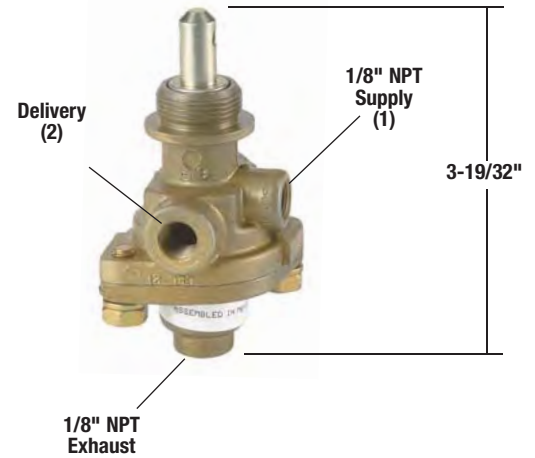
- Available Remanufactured Exchange
- Maintenance Kit 281126N
- Button and Mounting Nut not furnished with Exchange Valve - common Pc. No. 239357
- Typical Button (Yellow) and Pin Kit Pc. No. 102087N
- Typical Mounting Nut Pc. No. 239357N

V.M.R.S. 13-010-016

[SD-03-3611](#)

| Reman. Exch. Pc. No. | Service New Pc. No. | Automatic Release Pressure (psi) | Delivery Port (NPT) |
|----------------------|---------------------|----------------------------------|---------------------|
| 276566RX | 276566N | 20 | 1/8" |
| 276567RX | 276567N | 40 | 1/8" |
| 278450RX | 278450N | - | 1/8" |
| *281587RX | - | 40 | 1/8" |
| 283828RX | 283828N | 60 | 1/8" |
| 287417RX | 287417N | 30 | 1/4" |
| 287600RX | 287600N | 40 | 1/4" |

*Remote controlled



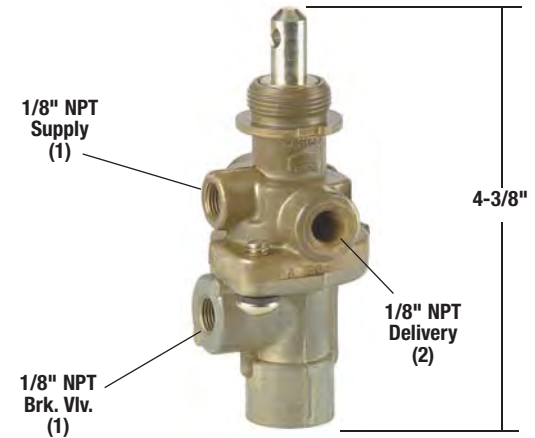
Bendix® PP-2™ Control Valve (Pressure Balanced)

- Available Remanufactured Exchange
- Maintenance Kit 281127N
- Button and Mounting Nut not furnished with Exchange Valve

V.M.R.S. 13-010-104

[SD-03-3611](#)

| Reman. Exch. Pc. No. | Service New Pc. No. | Automatic Release Pressure (psi) |
|----------------------|---------------------|----------------------------------|
| 276462RX | 276462N | 40 |



Bendix® PP-3™ Control Valve (Automatic Tripper)

- Available Remanufactured Exchange
- Maintenance Kit 280857N
- Button and Mounting Nut not furnished with Exchange Valve

V.M.R.S. 13-010-016

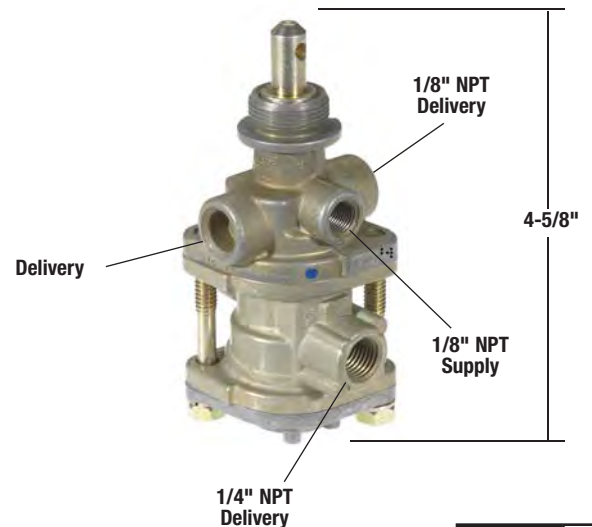
[SD-03-3613](#)

| Reman. Exch. Pc. No. | Service New Pc. No. | Delivery (NPT) |
|----------------------|---------------------|----------------|
| †*279787RX | †*279787 | None |
| 288746RX | 288746N | None |
| 289477RX | 289477 | 1/8" |
| *289512RX | - | 1/8" |

Tripper Exhausts at 30 psi & Charges above 50 psi. Plunger Trips at 40 psi and Charges Manually.

*Remote Controlled

†Mounting Nut Furnished



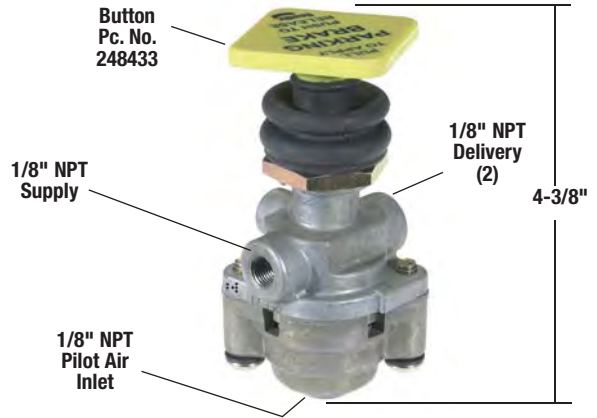
Bendix® PP-5™ Control Valve (With Pilot Air Release)

- Maintenance Kit 281949
- Button is Furnished with Valve Pc. No. 284744N

V.M.R.S. 13-010-104

[SD-03-3611](#)

| Service New Pc. No. | Automatic Release Pressure (psi) |
|---------------------|----------------------------------|
| 281946N | 40 |
| 284744N | Manual |



Bendix® PP-7™ Trailer Supply Valve

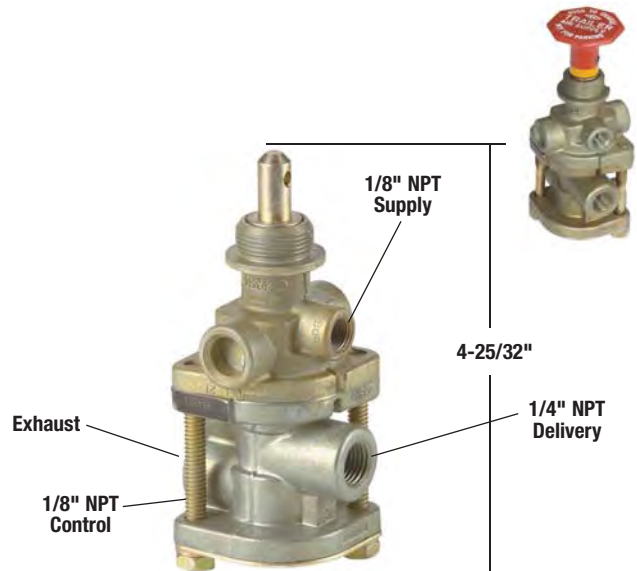
- Available Remanufactured Exchange
- Maintenance Kit 287367
- Button and Mounting Nut not furnished with Exchange Valve
- Typical Button (Red) Pc. No. 291624N
- Typical Mounting Nut Pc. No. 239357N

V.M.R.S. 13-010-016

[SD-03-3617](#)

| Reman. Exch. Pc. No. | Service New Pc. No. | Comments |
|----------------------|---------------------|--------------------|
| 288239RX | 288239N | - |
| 288241X | 106113 | 1/4" Exhaust (NPT) |
| 288242RX | 288242 | Remote Controlled |

Automatic Release Pressure 40 psi



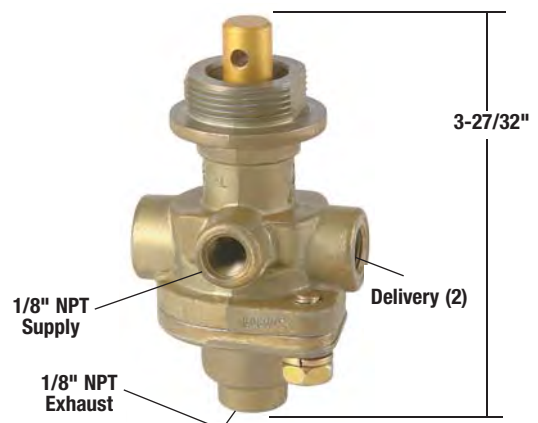
Bendix® PP-8™ Control Valve

- Available Remanufactured Exchange
- Button and Mounting Nut not furnished with Exchange Valve

V.M.R.S. 13-010-104

[SD-03-3611](#)

| Reman. Exch. Pc. No. | Service New Pc. No. | Delivery Port (NPT) |
|----------------------|---------------------|---------------------|
| 287238RX | 287238N | 1/8" |
| 287418RX | 287418N | 1/4" |



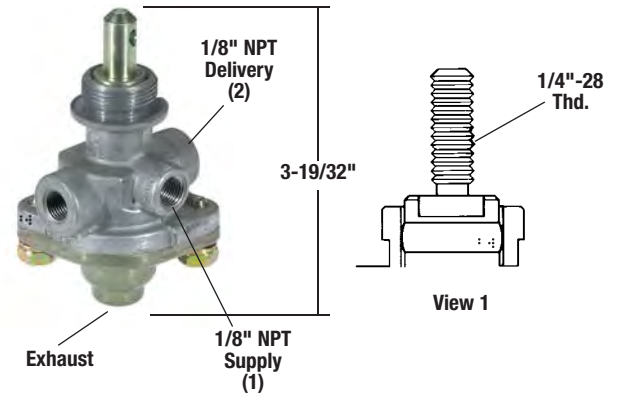
Bendix® RD-3™ Push Type Control Valve

- Available Remanufactured Exchange
- Maintenance Kit 281126N
- Button not furnished with Exchange Valve, Roll Pin Furnished

V.M.R.S. 13-010-104

[SD-03-3611](#)

| Service New Pc. No. | Comments |
|---------------------|------------|
| 286211N | — |
| 104644 | See View 1 |



Bendix® E-Z-Grip® Soft Button Cover

| Service New Pc. No. | Button Shape | Description |
|---------------------|--------------|---|
| 801526 | ◇ | Fits Bendix® MV-3®/PP-DC® Valve Style |
| 801593 | ◇ | Fits Bendix® PP-1® Valve Style |
| 802123 | ○ | Fits Bendix® PP-7™ Valve Style |
| 802124 | ○ and ◇ | Contains both Bendix® MV-3® Button Covers |



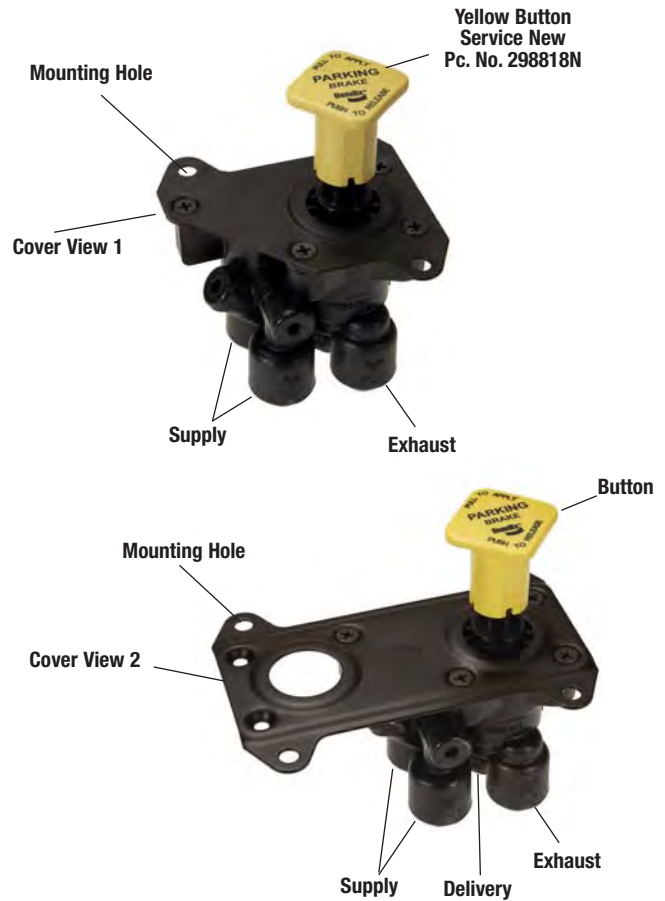
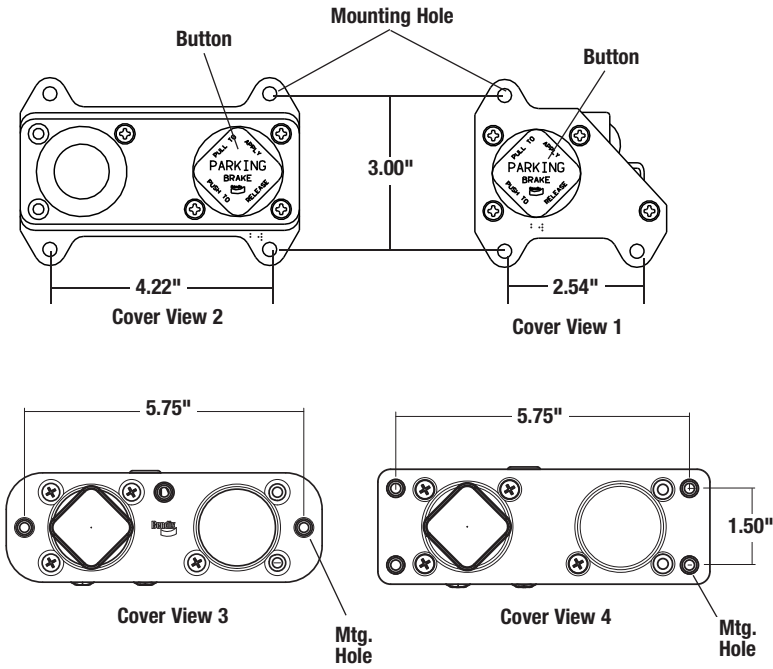
Button not included

Bendix® PP-DC® Control Valve

• Maintenance Kit 5006939

V.M.R.S. 13-101-017

SD-03-3619



| Service Pc. No. | Cover View | Mounting Holes | Port Type* |
|-----------------|------------|----------------|----------------|
| 065643 | 2 | .27" Dia. | 3/8" PTC |
| 065661 | 1 | 1/4-20 Thread | 3/8" PTC |
| 065690 | 1 | .27" Dia. | 3/8" PTC |
| 800034 | 2 | .27" Dia. | 1/4" NPT |
| 800142 | 1 | 1/4-20 Thread | 1/4" NPT |
| 800309 | 3 | M6 x 1-6H | 3/8" PTC |
| 800620 | 4 | M8 x 1-6H | 3/8" PTC |
| 800841 | 2 | M6 x 1-6H | 3/8" PTC |
| 801315 | 2 | .27" Dia. | 3/8" PTC Elbow |

*PTC - Push-To-Connect Fittings

WARNING

The exhaust port may contain a composite (non-metallic) fitting. This fitting does not meet Department of Transportation (DOT) standards for pressurized air lines and is for non-pressurized exhaust air lines only. Installing a Bendix® PP-DC® control valve that contains this fitting in an application that uses pressurized air in this port could cause a sudden application of the parking brakes.

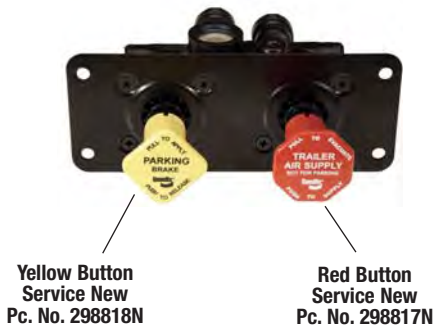


Bendix® MV-3® Control Module

- Maintenance Kit 5002741
- Shuttle Kit 5002742

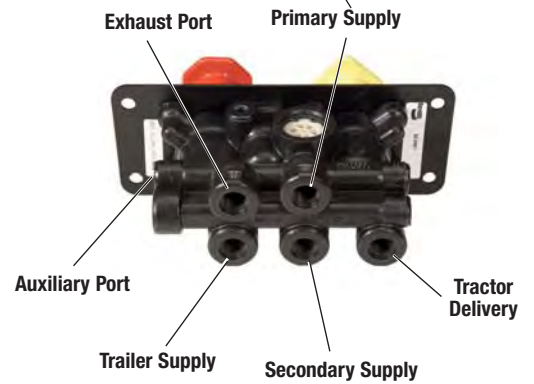
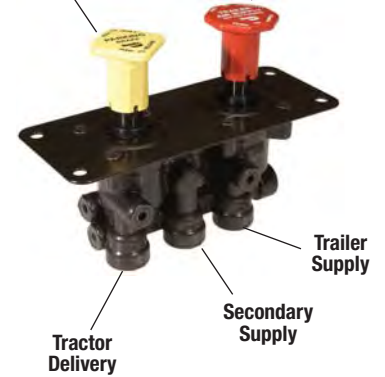
V.M.R.S. 13-010-112

[SD-03-3415](#)



Typical Yellow Button Pc. No. 298818N

Typical Red Button Pc. No. 298817N

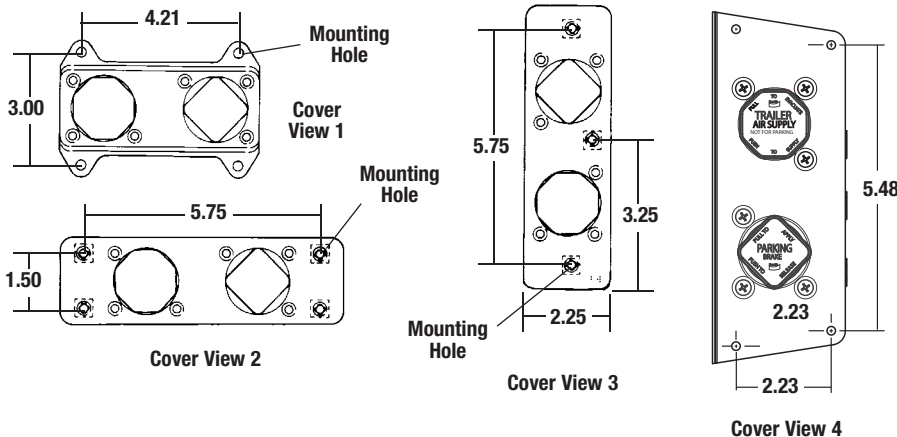


| Service New Pc. No. | Replaces | Cover View | Mounting Hole | Auxiliary Port | Port Type* |
|---------------------|----------|------------|-------------------|----------------|----------------|
| 800257 | 065523 | 1 | .28" Dia. | — | 3/8" PTC |
| 800259 | 800036 | 1 | 1/4-20 Thread | — | 3/8" PTC |
| 800260 | — | 1 | M5 x .8-6H Thread | — | 3/8" PTC |
| 800445 | — | 2 | .27" Dia. | — | 1/4" NPT |
| 800516 | 065157 | 1 | .28" Dia. | — | 1/4" NPT |
| | 065697 | | | | |
| 800517 | 065159 | 1 | #10-24 Thread | — | 1/4" NPT |
| | 065379 | | | | |
| 800518 | 065160 | 1 | .28" Dia. | 1/8" NPT | 1/4" NPT |
| 800519 | 065186 | 1 | 1/4-20 Thread | — | 1/4" NPT |
| 800521 | 065192 | 3 | 1/4-20 Thread | — | 1/4" NPT |
| 800522 | 065208 | 1 | M6 x 1-6H Thread | 1/8-27 | 1/4" NPT |
| 800523 | 065248 | 1 | #10-24 Thread | — | 1/4" NPT |
| 800573 | 065187 | 1 | 1/4-20 Thread | — | 1/4" NPT |
| 801631 | 5012393 | 4 | .20" Dia | — | 3/8" PTC Elbow |
| K031485 | K031484 | 1 | 1/4-20 Thread | — | 3/8" PTC Elbow |

*PTC - Push-To-Connect Fittings

WARNING

The exhaust port may contain a composite (non-metallic) fitting. This fitting does not meet Department of Transportation (DOT) standards for pressurized air lines and is for non-pressurized exhaust air lines only. Installing a Bendix® MV-3® control valve that contains this fitting in an application that uses pressurized air in this port could cause a sudden application of the parking brakes.



Bendix® MV-3® Valve with Push-to-Connect Fittings

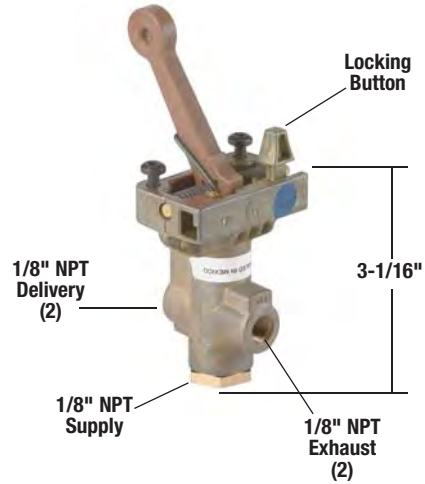
Bendix® TC-4™ Modulating Control Valve (With Lever Latch)

- Available Remanufactured Exchange
- Dial Plate not furnished with Exchange Valve

V.M.R.S. 13-010-104

[SD-03-4503](#)

| Reman. Exch. Pc. No. | Service New Pc. No. | Locking Button Position | Delivery Pressure (psi) | Comments |
|----------------------|---------------------|-------------------------|-------------------------|---------------------|
| 282368RX | 282368N | LEFT | 86-100 | - |
| - | 282382N | LEFT | 86-100 | Includes Dial Plate |



Bendix® TW-1™ Control Valve

- Available Remanufactured Exchange
- Dial Plate not furnished with Exchange Valve

V.M.R.S. 13-016-016

[SD-03-3602](#)

| Reman. Exch. Pc. No. | Service New Pc. No. | Lever Material and Finish |
|----------------------|---------------------|---------------------------|
| 228729RX | 228729N | Zinc-Chrome |
| 229635RX | 229635N | Steel-Chrome |
| 277516RX | 277516N | Nylon-Black |

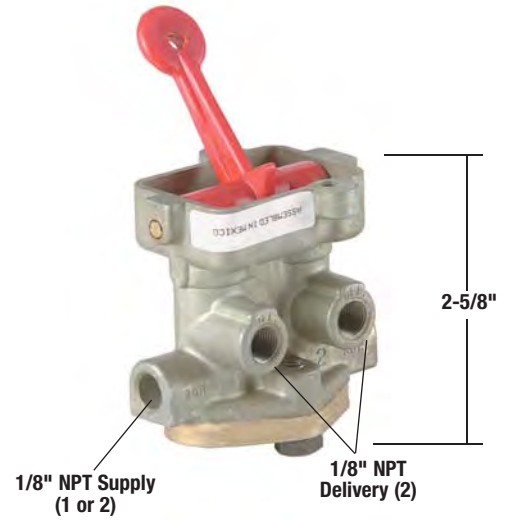


Bendix® TW-2™ & TH-3™ Control Valve

(TW-2 Control Valve Two Lever Positions)
 (TH-3 Control Valve Three Lever Positions)

- Available Remanufactured Exchange
- Maintenance Kit 282391
- Dial Plate not furnished with Exchange Valve

| Service New TW-2™ Control Valve Pc. No. | Service New TH-3™ Control Valve Pc. No. | Lever |
|---|---|-------------|
| 280905N | 280904N | Centering |
| – | 281560N | Positioning |



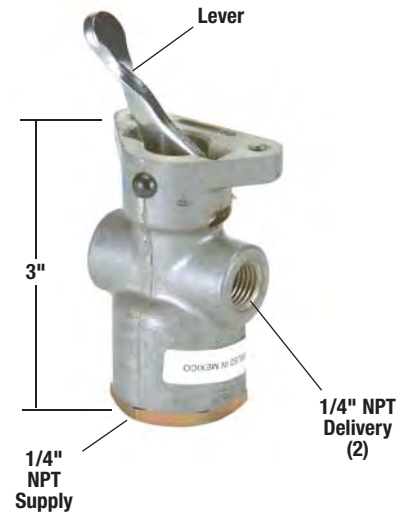
Bendix® TW-3™ Control Valve

- Available Remanufactured Exchange
- Dial Plate not furnished with Exchange Valve

V.M.R.S. 13-010-016

[i SD-03-3602](#)

| Reman. Exch. Pc. No. | Service New Pc. No. | Lever Material |
|----------------------|---------------------|----------------|
| 225892RX | 225892N | Zinc |
| 228762RX | 228762N | Steel |
| 283040RX | 283040N | Steel |



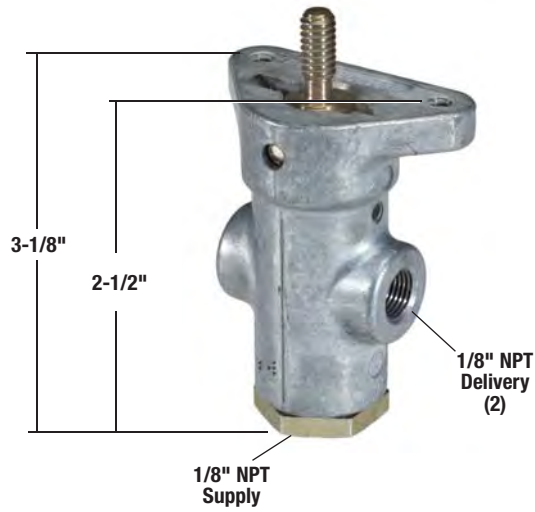
Bendix® TW-4™ Control Valve

- Available Remanufactured Exchange
- Refer to Master Parts Catalog for Button Pc. No.

V.M.R.S. 32-004-007

[SD-03-3602](#)

| |
|---------------------------|
| Service New Pc. No. |
| 276635N |

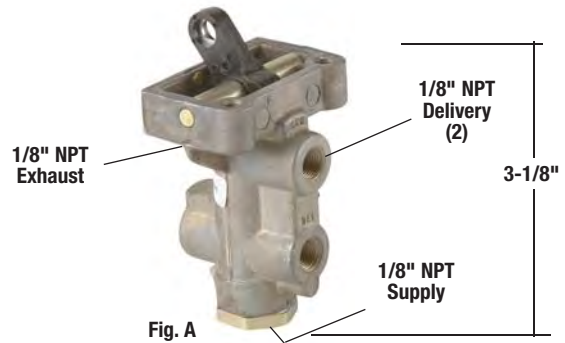
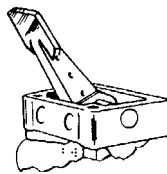


Bendix® TW-11™ Control Valve

- Used in conjunction with the Bendix® HR-1™ Hydraulic Relay Valve

| Service New Pc. No. | Configuration |
|---------------------------|---------------|
| 065356 | Fig. B |
| 065316 | Fig. A |

Fig. B

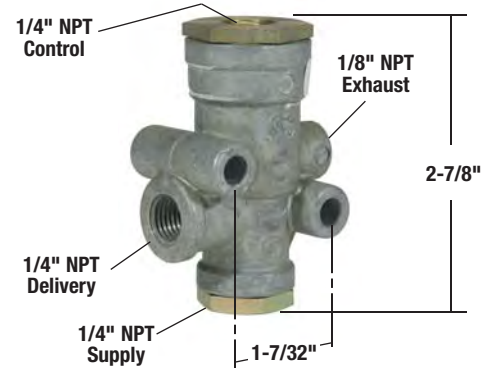


Bendix® SV-1™ Synchronizing Valve

i [SD-03-4020](#)

| Service New Pc. No. | A (psi) | B (psi) |
|---------------------|---------|---------|
| 278825N | 42 | 28 |
| 282472N | 21 | 11 |
| 283700N | 62 | 50 |

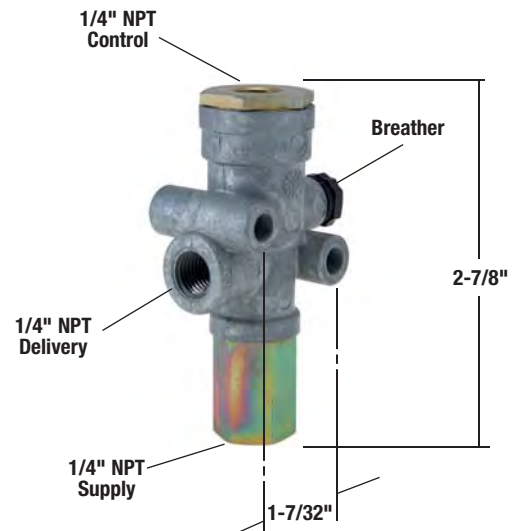
With Common Control & Supply Pressure, Inlet Opens at A and Exhaust Opens at B



Bendix® SV-4™ Trailer Release Valve

i [SD-03-4020](#)

| Service New Pc. No. | Breather Valve Size/Shape |
|---------------------|---------------------------|
| 108769N | 9/16" 12 point |



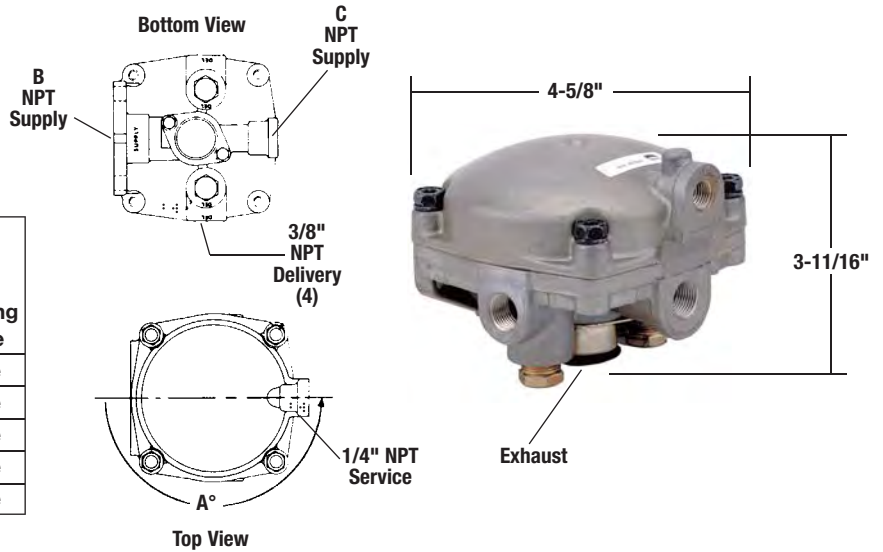
Bendix® R-6™ Relay Valve

- Available Remanufactured Exchange
- Maintenance Kit 280856N

V.M.R.S. 13-010-009

[SD-03-1060](#)

| Reman. Exch. Pc. No. | Service New Relay Valve Pc. No. | A° Service Port Angle | B (NPT) | C (NPT) | Mounting Flange |
|----------------------|---------------------------------|-----------------------|---------|---------|-----------------|
| - | 279180N | 180° | - | 3/8" | 2 Hole |
| 279952RX | 279952N | 180° | 3/4" | 3/8" | 2 Hole |
| 280375RX | 280375 | 90° | - | 1/2" | 2 Hole |
| 279952RX | *280651N | 180° | 3/4" | 3/8" | 2 Hole |
| 283940RX | 283940N | 270° | 3/8" | 3/8" | 4 Hole |



Crack Pressure 2 psi

*Pipe Plugs & Gasket Attached

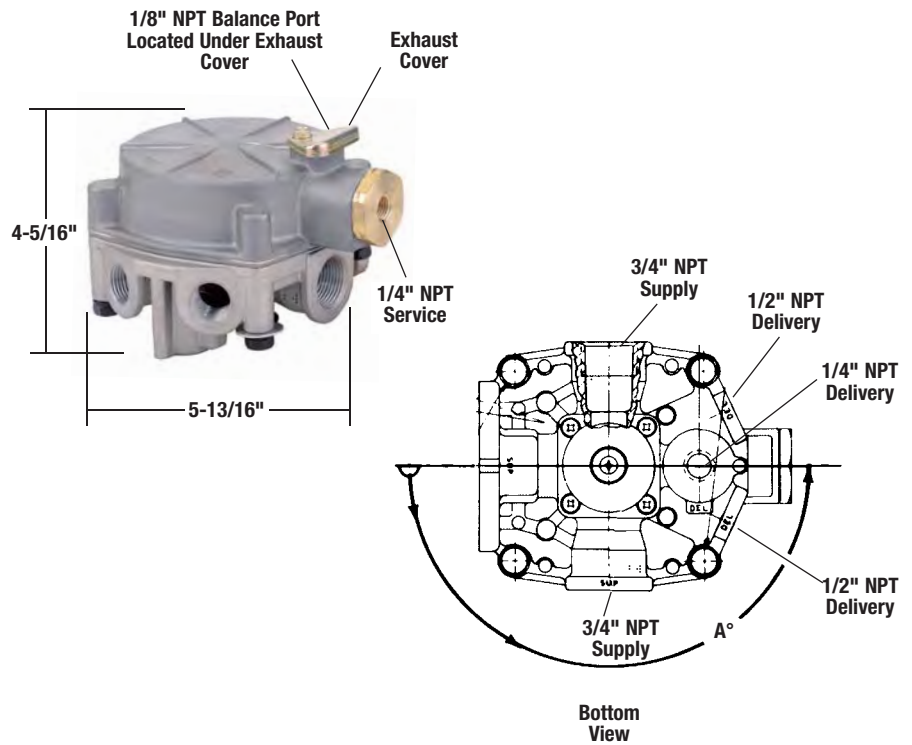
Bendix® R-8™ Relay Valve

- Available Remanufactured Exchange
- Maintenance Kit 287370N

V.M.R.S. 13-010-009

[SD-03-1061](#)

| Reman. Exch. Pc. No. | Service New Pc. No. | A° Service Port Location | Comments |
|----------------------|---------------------|--------------------------|---------------|
| 286370RX | 286370N | 90° | |
| 286371RX | 286371N | 90° | No Exh. Cover |
| 287260RX | 287260N | 180° | No Exh. Cover |
| 288369RX | 288369N | 180° | |
| 288781RX | 288781 | 180° | Waterproof |

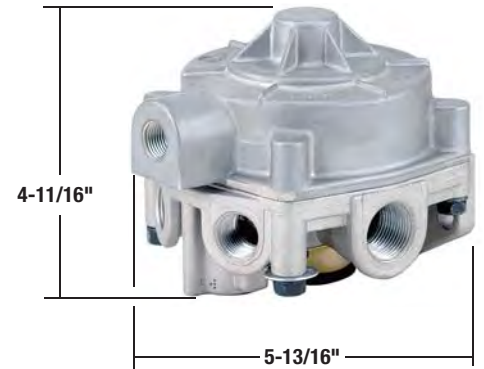


Bendix® R-8P™ Relay Valve

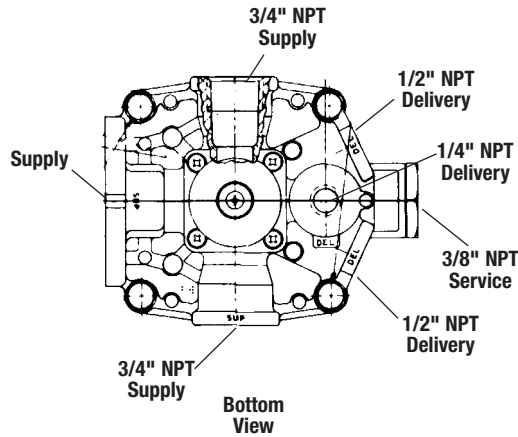
- Available Remanufactured Exchange
- Maintenance Kit 103799

V.M.R.S. 13-010-009

[SD-03-1061A](#)



| Reman. Exch. Pc. No. | Service New Pc. No. | Comments |
|----------------------|---------------------|----------|
| 287114RX | 287114N | - |



Not all reman brake shoes are created equal. In fact, testing shows Bendix® reman brake shoes help you stop more safely – five or more car lengths ahead of the competition. And with our exclusive coatings and high flexural strength friction, including RSD (Reduced Stopping Distance) options, Bendix brake shoes extend service life, virtually eliminating rust jacking and cracking. Bendix reman brake shoes. **Now you know better.**

Discover the difference at safertrucks.com/shoes or call 1.800.AIR.BRAKE (1.800.247.2725) today.



© Bendix Commercial Vehicle Systems LLC, a member of the Knorr-Bremse Group. All Rights Reserved.

Bendix® R-12® Relay Valves

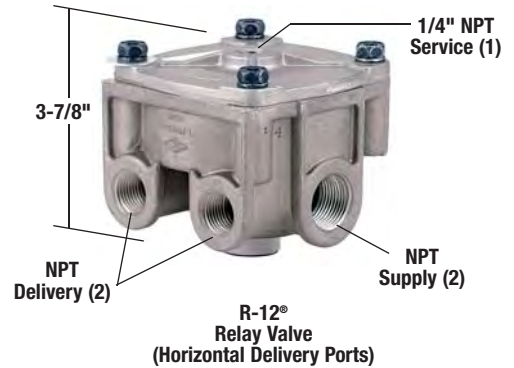
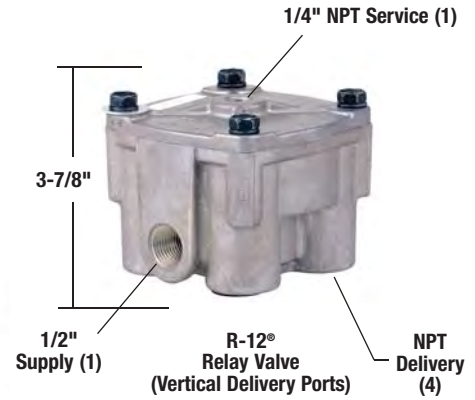
- Available Remanufactured Exchange
- All Universal Bendix R-12® and R-14® Relay Valves include Installation Instructions and a Universal Mounting Bracket as indicated.
- Field maintenance kit for R-12® and R-14® Relay Valves is Pc. No. 102802N.

V.M.R.S. 13-010-009

[SD-03-1064](#)

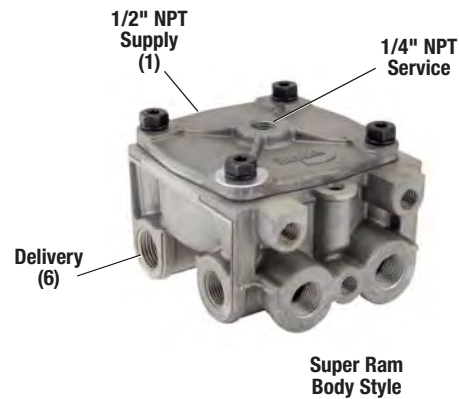
Vertical Delivery Ports

| Reman. Exch. Pc. No. | Service New Pc. No. | Crack Pressure (psi) | Delivery (NPT) | Maint. Kit | Mounting Bracket |
|----------------------|---------------------|----------------------|----------------|------------|------------------|
| 5003365X | 065104 | 4 | 3/8" | 102802N | 296010N |
| - | 065181 | 5.5 | 1/2" | 102802N | 296010N |
| 102626RX | 102626N | 4 | 1/2" | 102802N | 296010N |
| 103912RX | 103912 | 7.5 | 1/2" | 102802N | 296010N |
| 104561RX | - | 5.5 | 3/8" | 102802N | 296010N |
| - | *800365 | 4 | 3/8" | 102802N | 296010N |



Horizontal Delivery Ports

| Reman. Exch. Pc. No. | Service New Pc. No. | Crack Pressure (psi) | Supply Port Size (NPT) | Maint. Kit | Mounting Bracket | Delivery (NPT) |
|----------------------|---------------------|----------------------|------------------------|------------|------------------|----------------|
| - | 065125 | 5.5 | 1/2" | 102802N | 296010N | 1/2" |
| - | 065309 | 4 | 1/2" | 102802N | 296010N | 1/2" |
| - | 065546 | 4 | 1/2" | 109523 | 296010N | 1/2" |
| 103009RX | 103009N | 4 | 3/4" | 102802N | 296010N | 1/2" |
| 104165RX | - | 7.5 | 3/4" | 102802N | 296010N | 1/2" |
| - | 800238 | 4 | 3/4" | 102802N | N/A | 1/2" |
| - | 800305 | 4 | 1/2" | 5002831 | 296010N | 1/2" |
| - | *800366 | 5.5 | 1/2" | 5004029 | 296010N | 3/8" |
| - | *800365 | 4 | 1/2" | 5004029 | 296010N | 1/2" |
| - | 801123 | 4 | 1/2" | 5019003 | N/A | 3/8" |
| Super Ram Body Style | | | | | | |
| - | 803115 | 5.5 | 1/2" | 5019003 | N/A | 1/2" |

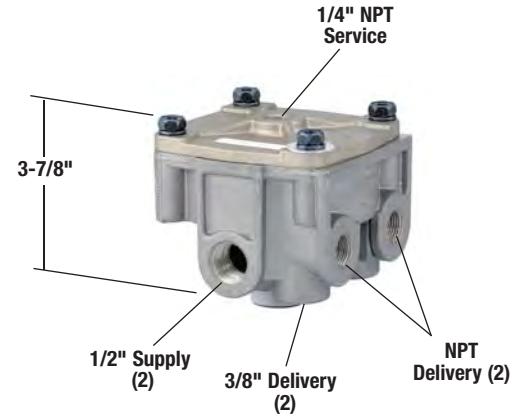


*Self-draining piston
PTC-Push-To-Connect Fittings

Bendix® R-12® Relay Valves (cont'd)

Two (2) Vertical & Horizontal Delivery Ports

| Service New Pc. No. | Crack Pressure (psi) | Delivery Port Size | Maint. Kit | Mounting Bracket |
|---------------------|----------------------|--------------------|------------|------------------|
| 065206 | 5.5 | 3/8" NPT | 102802N | 296010N |
| 065303 | 4 | 3/8" NPT | 102802N | 296010N |
| 800095 | 4 | 3/8" NPT | 102802N | 102846N** |
| 800441 | 5.5 | 3/8" NPT | 102802N | 102846N** |
| 800483 | 5.5 | 1/2" NPT | 102802N | N/A |
| 800484 | 5.5 | 1/2" NPT | 102802N | 296010N |
| 800485 | 4 | 1/2" NPT | 102802N | N/A |
| 800486 | 4 | 1/2" NPT | 102802N | 296010N |
| 800508 | 5.5 | 1/2" NPT | 102802N | N/A |



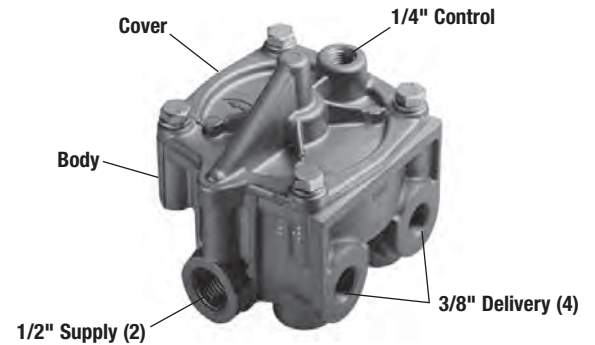
**Mounting bracket 102846N includes two 5/16" mounting studs.
PTC-Push-To-Connect Fittings

Bendix® R-12P™ Pilot Relay Valve

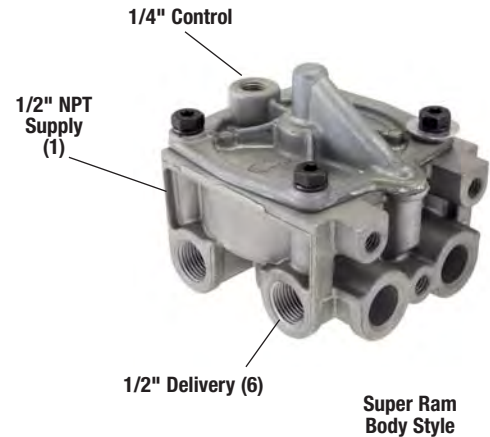
- Available Remanufactured Exchange
- Universal Mounting Bracket 296010 included
- Field Maintenance Kit 109265

V.M.R.S. 13-010-009

[SD-03-1063](#)



| Service New Pc. No. | Reman. Exch. Pc. No. | Delivery (NPT) | Comments |
|---------------------|----------------------|----------------|----------------------|
| 065476 | 109264X | 3/8" | |
| 801742 | — | 1/2" | Super Ram Body Style |

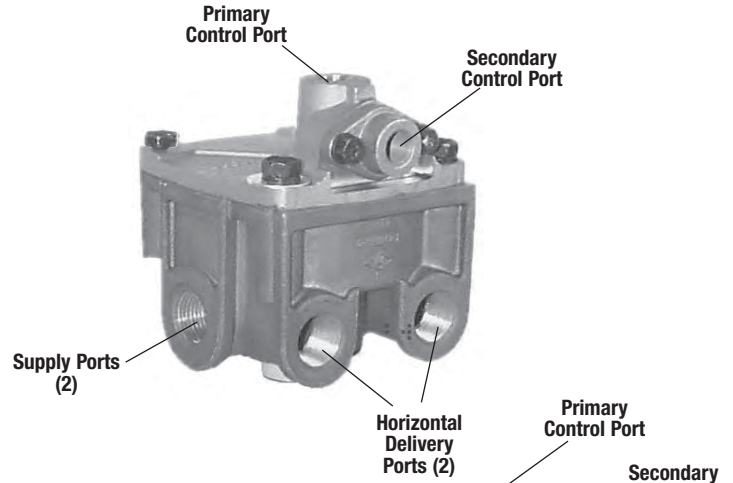


Bendix® R-12DC® Relay Valve with Biased Double Check

SD-03-1068

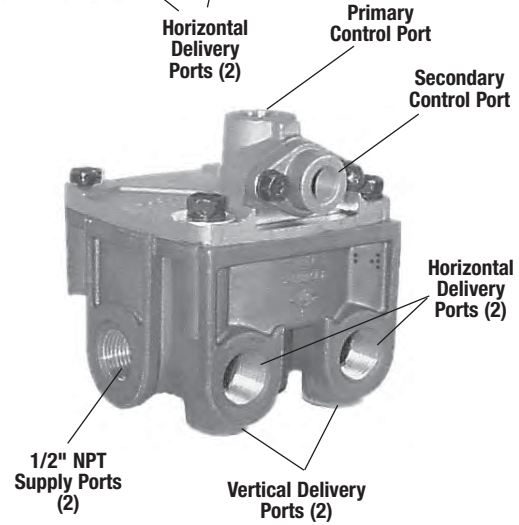
Bendix® R-12DC® Relay Valve with Two (2) Horizontal Delivery Ports

| Service New Pc. No. | Crack Pressure PSI | Supply Ports NPT | Delivery Ports NPT | Bracket Pc. No. (Included) |
|---------------------|--------------------|------------------|--------------------|----------------------------|
| 800470 | 4 | 1/2" | 1/2" | 296010N |
| 800471 | 5.5 | 1/2" | 1/2" | 294649N |
| 800627 | 4 | 1/2" | 1/2" | 294649N |



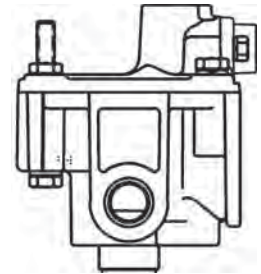
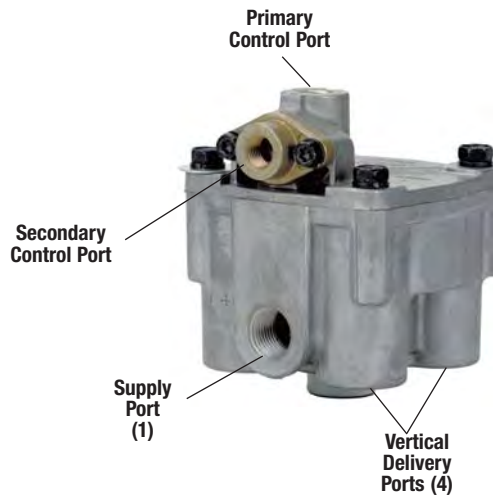
Bendix® R-12DC® Relay Valve with Two (2) Horizontal and Two (2) Vertical Delivery Ports

| Service New Pc. No. | Crack Pressure PSI | Horizontal Delivery Ports NPT | Vertical Delivery Ports NPT | Bracket Pc. No. (Included) | Comments |
|---------------------|--------------------|-------------------------------|-----------------------------|----------------------------|-----------------------------------|
| 800481 | 4 | 1/2" | 3/8" | None | Mounting Studs |
| 801305 | 4 | 1/2" | 3/8" | 102846N | |
| 801381 | 5.5 | 1/2" | 3/8" | 102846N | |
| K065767 | 4 | 1/2" | 3/8" | K023876 | Bendix® AR1-DC™ valve replacement |



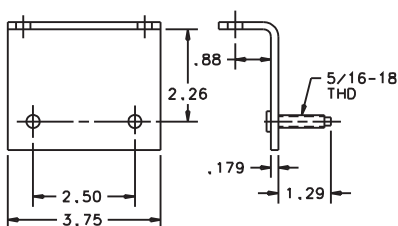
Bendix® R-12DC® Relay Valve with Four (4) Vertical Delivery Ports

| Service New Pc. No. | Crack Pressure PSI | Vertical Delivery Ports (NPT) | Bracket Pc. No. (Included) |
|---------------------|--------------------|-------------------------------|----------------------------|
| 800477 | 4 | 1/2" | 102846N |
| 800479 | 4 | 1/2" | 294649N |

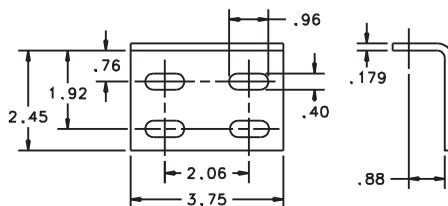


Pc. No. 800481

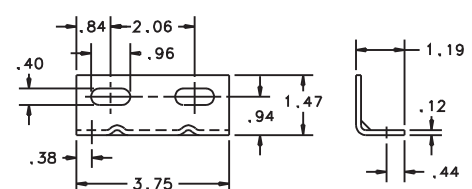
Mounting Bracket Pc. No. 102846N



Mounting Bracket Pc. No. 296010N



Mounting Bracket Pc. No. 294649N



Bendix® R-14® Relay Valve

- Available Remanufactured Exchange
- Field Maintenance Kit for Bendix® R-12® & R-14® Relay Valve is Pc. No. 102802N
- Balance Port Diaphragm Kit - Pc. No. 5011455
- Silencer Kit Part No. K116858
- All Universal R-12® and R-14® Relay Valves Include Installation Instructions and a Universal Mounting Bracket Pc. No. 296010N

V.M.R.S. 13-010-009

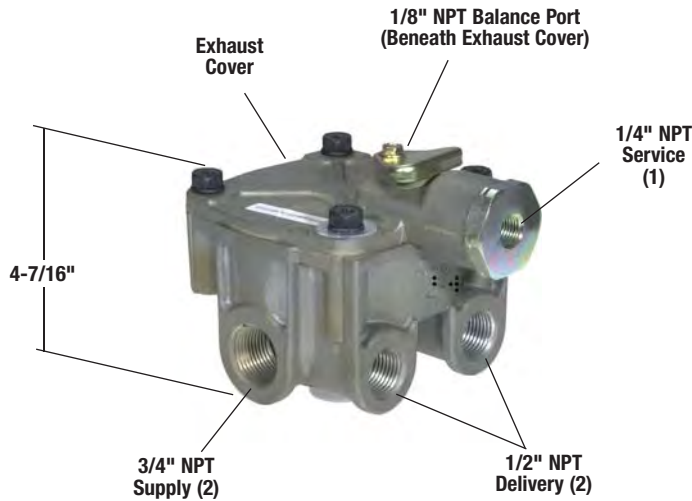
[SD-03-1064](#)

| Reman. Exchange Pc. No. | Service New Pc. No. | Crack Pressure (psi) | Supply |
|--|---------------------|----------------------|--------|
| Horizontal Delivery Ports | | | |
| 103010RX | 103010N | 4 | 3/4" |
| 103294RX | 103294N | 5.5 | 3/4" |
| 103835X | 103835 | 7.5 | 3/4" |
| – | 104345 | 5 | 3/4" |
| 104574RX | 104574 | 4 | 1/2" |
| – | 801629** | 4 | 1/2" |
| Vertical Delivery Ports | | | |
| 103028RX | 103028N | 4 | 1/2" |
| – | 103833 | 7.5 | 1/2" |
| – | 106313 | 5.5 | 1/2" |
| Vertical & Horizontal Delivery Ports* | | | |
| – | 065430 | 4 | 1/2" |
| – | K065765*** | 4 | 1/2" |

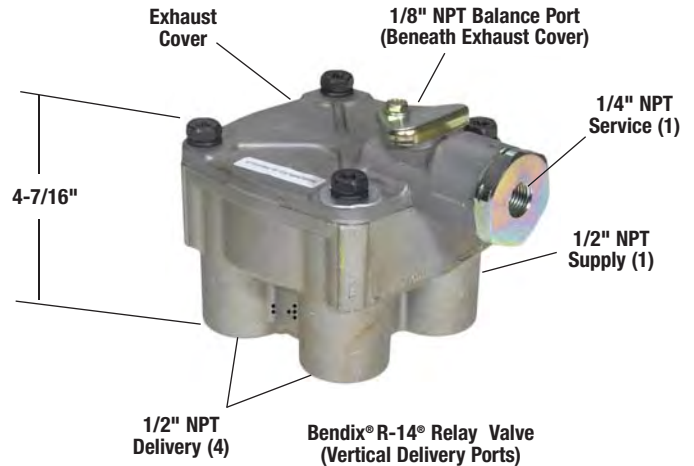
*Delivery ports two 3/8" & two 1/2"

**Super Ram body style

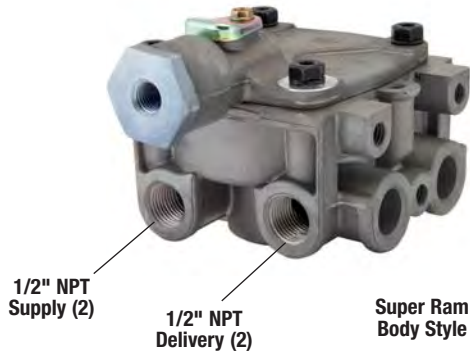
***Replacement for Bendix® AR-1™ valve



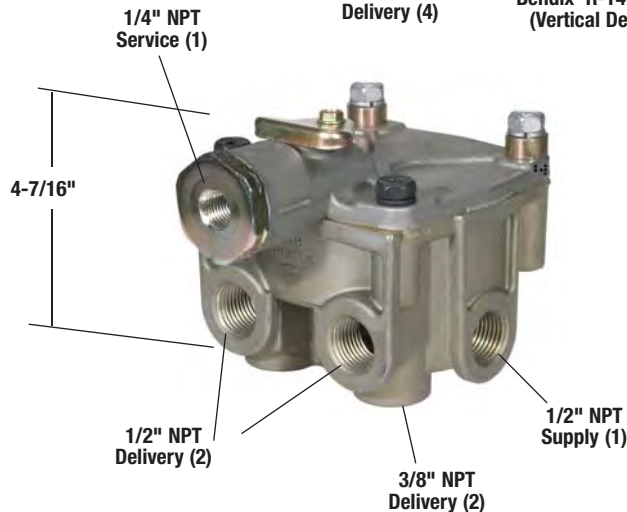
Bendix® R-14® Relay Valve (Horizontal Delivery Ports)



Bendix® R-14® Relay Valve (Vertical Delivery Ports)



Super Ram Body Style



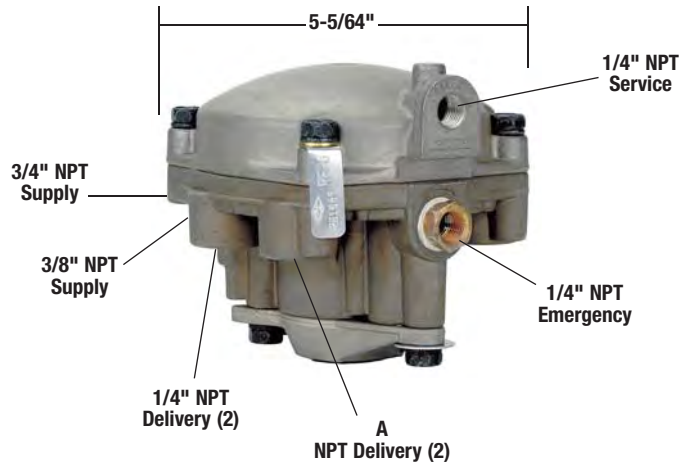
Bendix® R-14® Relay Valve (Horizontal & Vertical Delivery Ports)

Bendix® RE-6® & RE-6NC™ Relay Emergency Valves

- Available Remanufactured Exchange
- Maintenance Kits:
282812 Complete Valve
282813 Insert Only

V.M.R.S. 13-010-037

[SD-03-1151](#)



| Reman. Exch. Pc. No. | Service New Pc. No. | Valve | A Delivery (NPT) |
|----------------------|---------------------|-------------------------------|------------------|
| 281865X | 281865 | RE-6® Relay Emergency Valve | 3/8" |
| 281860X | 281860 | RE-6 Relay Emergency Valve | 1/4" |
| - | 065451 | RE-6NC™ Relay Emergency Valve | 1/4" |

The RE-6NC relay emergency valve must be used in conjunction with a Bendix® PR-3™ reservoir control valve.

SafetyDirect®: It's safety, plus...

Information from *your* vehicles, *your* drivers and *your* routes.

SafetyDirect® by Bendix CVS collects complex safety data from the vehicle, transforms it into actionable information and reports it to the back office, *wirelessly*.

With SafetyDirect you can:

- Watch the video of a severe event
- Analyze critical vehicle and driver data
- Manage driver scorecards

SafetyDirect is compatible with Bendix® Wingman® Fusion™ – our most advanced safety system ever, the Bendix® ESP® full stability system, our AutoVue® Lane Departure Warning system, and SmarTire® TPMS for tractors & trailers.

It's time to accelerate your ROI and optimize your driver training. It's time for SafetyDirect from Bendix.

Call 1-800-AIR-BRAKE (1-800-247-2725) or visit bendix.com today.



©2018 Bendix Commercial Vehicle Systems LLC, a member of the Knorr-Bremse Group. All Rights Reserved.

Bendix® ST-3™ Safety Valves

V.M.R.S. 13-010-073

[SD-03-1901](#)

See the Compressor section (01) of this catalog for Bendix® ST-4™ Safety Valves.



| ST-3™ Safety Valve Pc. No. | Pipe Thread | Pressure Setting (psi) |
|----------------------------|-------------|------------------------|
| 284142 | 1/4" | 150 |
| 284143 | 3/8" | 150 |
| 285849 | 1/4" | 175 |
| 285850 | 1/4" | 75 |



Bendix® GC™ Spin-On Air Dryer Cartridge Consistent Performance ~ Great Value

The Bendix GC (Green Cartridge) is the Aftermarket's first environmentally friendly spin-on cartridge. Built and tested by Bendix, the GC is designed to replace standard air dryer cartridges on older vehicles.

The performance you need, the value you want.
What else would you expect from Bendix?

Talk to your Bendix representative or visit bendix.com to learn more.

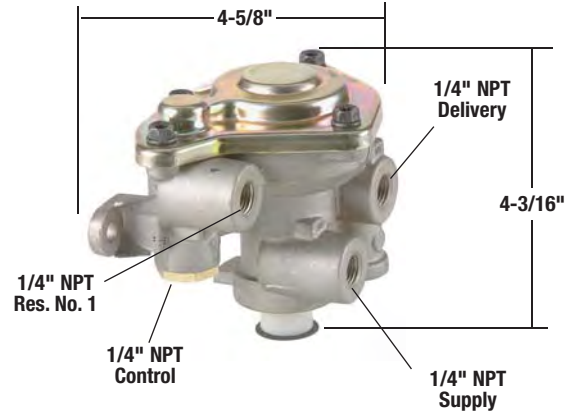
Bendix® SR-1™ Spring Brake Valve

- Available Remanufactured Exchange
- Maintenance Kit 108123

V.M.R.S. 13-010-048

[SD-03-4508](#)

| Reman. Exch. Pc. No. | Service New Pc. No. | Customer Identification | Reservoir Trip Pressure (psi) |
|----------------------|---------------------|-------------------------|-------------------------------|
| 286364RX | 286364N | NONE | 55 |
| 288063RX | 288063N | IHC-459271-C92 | 30 |



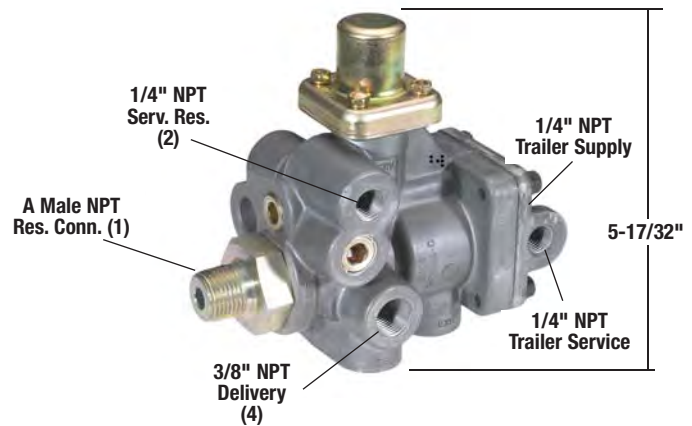
Bendix® SR-2™ Trailer Spring Brake Valve

- Available Remanufactured Exchange
- Maintenance Kit 287691

V.M.R.S. 13-010-048

[SD-03-4510](#)

| Reman. Exch. Pc. No. | Service New Pc. No. | A NPT |
|----------------------|---------------------|-------|
| *287376RX | *287376N | 3/4" |
| 102761RX | 102761N | 3/4" |
| 103061RX | 103061N | 1/2" |



*Does not have trailer service port for anti-compounding.

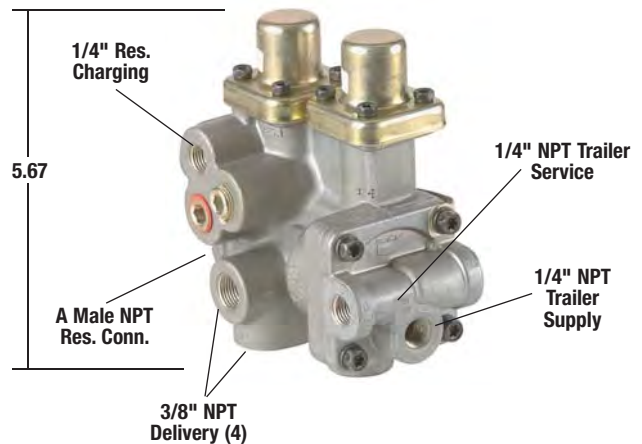
Bendix® SR-4™ Trailer Spring Brake Valve

- Maintenance Kit 108259

V.M.R.S. 13-010-111

[SD-03-4514](#)

| Bendix® SR-4™ Trailer Spring Brake Valve Service New Pc. No. | Bendix® SR-5™ Trailer Spring Brake Valve Service New Pc. No. | A | Comments |
|--|--|----------|-----------------------|
| K033233 | 065437 | 3/4" NPT | With Anti-Compounding |
| - | 065439 | 1/2" NPT | |

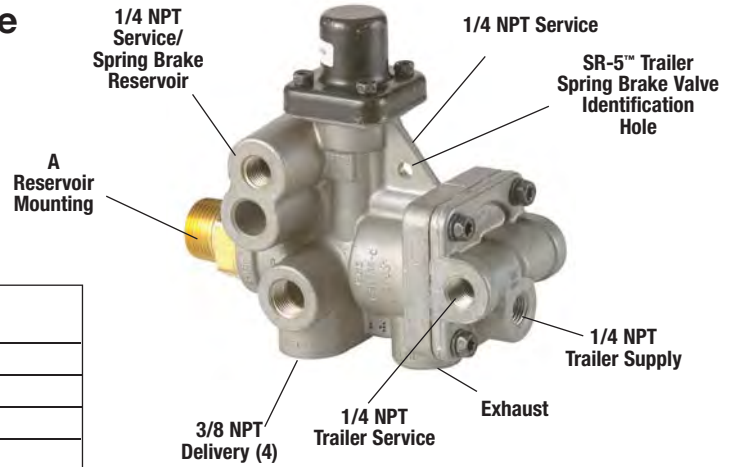


Bendix® SR-5™ Trailer Spring Brake Valve

• Maintenance Kit 109015

V.M.R.S. 13-010-048

[i SD-03-4516](#)



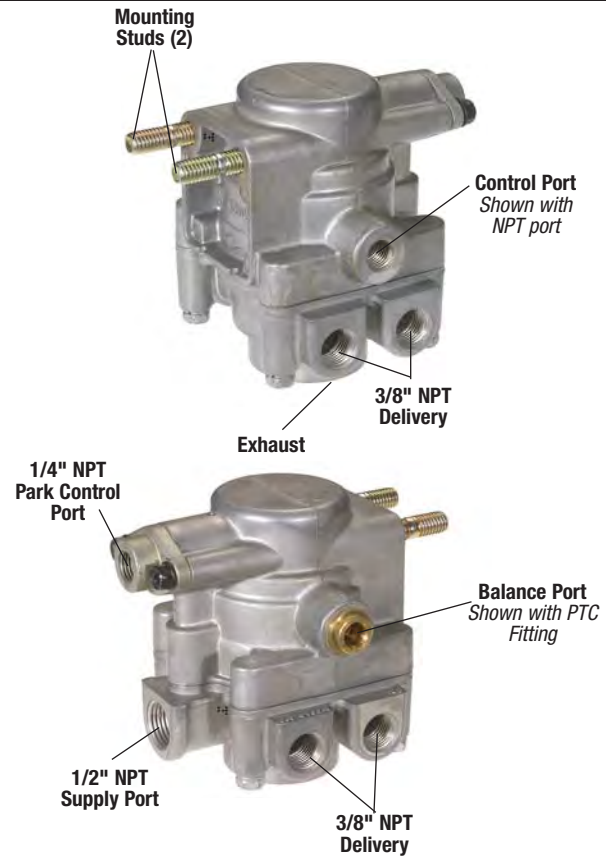
| Reman. Exch. Pc. No. | Service New Pc. No. | A Male (NPT) | Comments |
|----------------------|---------------------|--------------|-----------------------|
| 109615X | K033221 | 3/4" | With Anti-Compounding |
| 109616X | K033222 | 3/4" | — |
| 109617X | K033223 | 1/2" | With Anti-Compounding |
| 109618X | K033224 | 1/2" | — |

Bendix® SR-7® Spring Brake Modulating Valve

[i SD-03-9043](#)

| Service New Pc. No. | Mounting Stud | | Control Port | | Balance Port | |
|---------------------|---------------|--------|--------------|----------|--------------|----------|
| | Thd. | Length | Size* | Fitting | Size* | Fitting |
| K021557 | 3/8"-16 | .94" | 1/4" NPT | — | 1/4" NPT | — |
| K021558 | 3/8"-16 | .94" | 3/8" NPT | Straight | 3/8" NPT | Straight |
| K021559 | 3/8"-16 | .94" | 3/8" PTC | 90° | 3/8" PTC | Straight |
| K021560 | M10 | 1.38" | 3/8" PTC | 90° | 3/8" PTC | 90° |
| K021562 | — | — | 1/4" NPT | — | 1/4" NPT | — |
| K021563 | — | — | 3/8" PTC | Straight | 3/8" PTC | Straight |

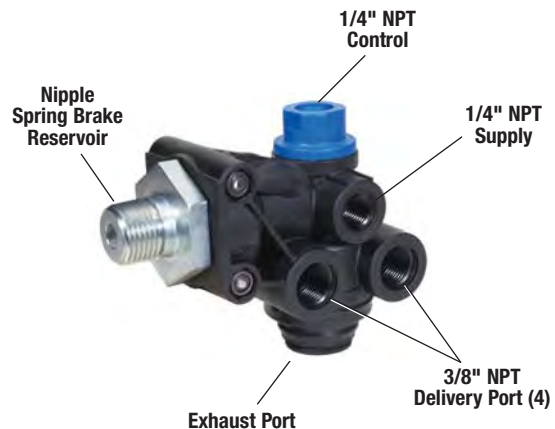
*PTC - Push-To-Connect Fittings



Bendix® SRC-7000™ Trailer Spring Brake Valve

[i SD-03-4656](#)

| Service New Pc. No. | Mounting Nipple | Comments |
|---------------------|-----------------|-------------------------|
| K025778 | 1/2" NPT | Replaces Sealco® 110500 |



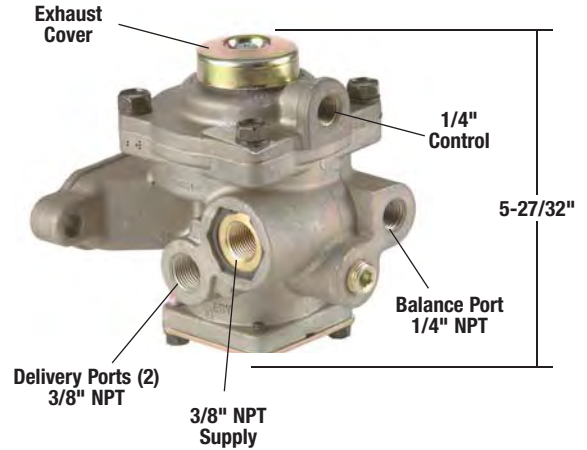
Bendix® R-7™ Modulating Valve

- Available Remanufactured Exchange
- Maintenance Kit 283861

V.M.R.S. 13-010-009

[SD-03-4504](#)

| Reman. Exch. Pc. No. | Service New Pc. No. | Spring Brake Release Pressure (psi) | Exhaust Cover | Installation Orientation |
|----------------------|---------------------|-------------------------------------|---------------|--------------------------|
| 103081RX | 103081N | 95 | As shown | As shown |
| — | 800969 | 95 | None | Inverted |



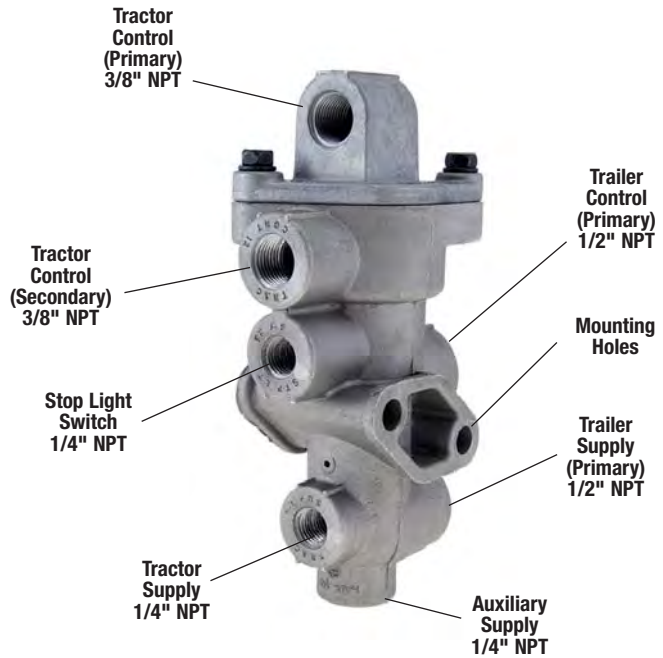
Bendix® TP-3DC™ Tractor Protection Valve

- Maintenance Kit 5000073

V.M.R.S. 13-010-016

[SD-03-3656](#)

| Service New Pc. No. |
|---------------------|
| 065706 |



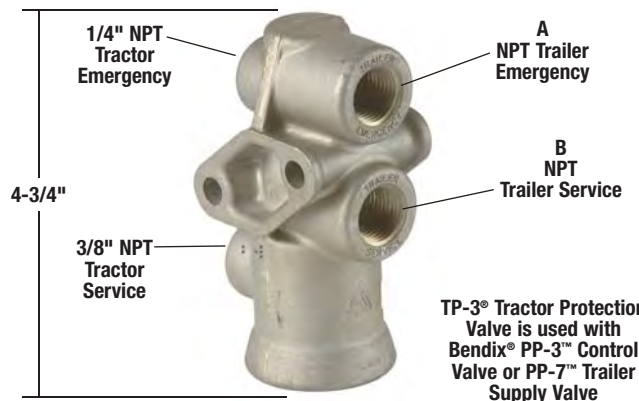
Bendix® TP-3® Tractor Protection Valve

- Available Remanufactured Exchange
- Maintenance Kit 280858N

V.M.R.S. 13-010-016

[SD-03-3652](#)

| Reman. Exch. Pc. No. | Service New Pc. No. | A NPT | B NPT |
|----------------------|---------------------|-------|-------|
| 279000RX | 279000N | 1/2" | 1/2" |



TP-3® Tractor Protection Valve is used with Bendix® PP-3™ Control Valve or PP-7™ Trailer Supply Valve

Bendix® TP-4™ Tractor Protection Valve

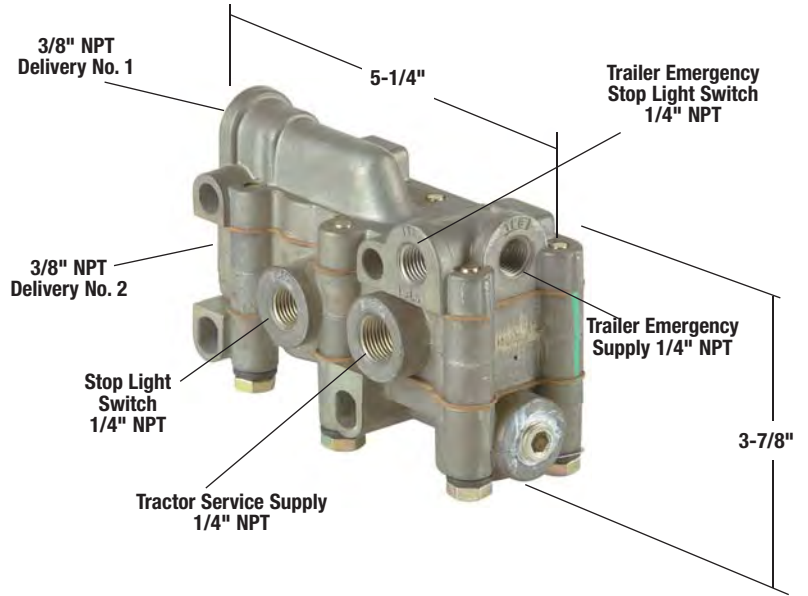
- Formerly Bendix® VM-1 Control Valve Manifold
- Available Remanufactured Exchange
 - Maintenance Kit 283863

V.M.R.S. 13-010-114

[SD-03-3653](#)

| Reman. Exch. Pc. No. | Service New Pc. No. |
|----------------------|---------------------|
| 288301RX | 288301N |

Three (3) Sealing O-Rings Pc. No. 212268
Included with Valve

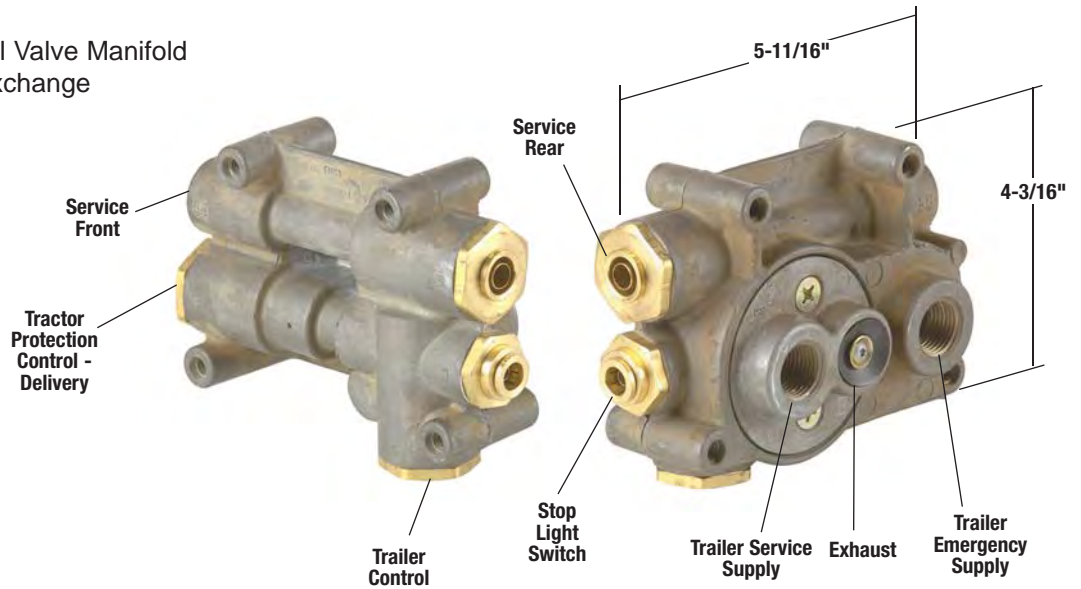


Bendix® TP-5™ Tractor Protection Valve

- Formerly Bendix® VM-2 Control Valve Manifold
- Available Remanufactured Exchange
 - Maintenance Kit 289061

V.M.R.S. 13-010-114

[SD-03-3655](#)



| Reman. Exch. Pc. No. | Service New Pc. No. | Service Rear* | Stop Light Switch* | Service Front* | Trailer Control* | Trailer Service Supply | Trailer Emergency Supply | Tractor Protection Control Delivery* |
|----------------------|---------------------|---------------|--------------------|----------------|------------------|------------------------|--------------------------|--------------------------------------|
| - | 065702 | 1/2" PTC | 3/8" PTC | 1/2" PTC | 3/8" PTC | 1/2" NPT | 1/2" NPT | 3/8" PTC |
| - | 107430 | 3/8" NPT | 1/8" NPT | 3/8" NPT | 1/4" NPT | 1/2" NPT | 1/2" NPT | 1/4" NPT |
| 288605RX | 288605N | 3/8" NPT | 1/4" NPT | 3/8" NPT | 3/8" NPT | 1/2" NPT | 1/2" NPT | 3/8" NPT |
| - | 800396 | 1/2" PTC | 1/4" PTC | 1/2" PTC | 3/8" PTC | 1/2" NPT | 1/2" NPT | 3/8" PTC |

*PTC - Push-To-Connect Fittings



Bendix® BP-1™ Valve Maintenance Kit
(Pc. No. 104710)



Bendix® BP-1™ Valve Maintenance Kit
(Pc. No. 104711)



Bendix® E-2™ & E-3™ Valve Maintenance Kit
(Pc. No. 276119N)



Bendix® E-3™ Valve Maintenance Kit
(Pc. No. 289329N)



Bendix® E-5™ Valve Maintenance Kit
(Pc. No. 281084N)



Bendix® E-5™ Valve Maintenance Kit
(Pc. No. 289334N)



Bendix® E-6® Valve Maintenance Kit
(Pc. No. 287368N)



Bendix® E-6® Valve Maintenance Kit
(Pc. No. 289335)



Bendix® E-7™ Valve Maintenance Kit
(Pc. No. 289352N)



Bendix® E-7™ Valve Maintenance Kit
(Pc. No. 289353)



Bendix® E-10™ Valve Maintenance Kit
(Pc. No. 102100)



Bendix® E-12™ Valve Maintenance Kit
(Pc. No. 108367)



Bendix® LQ-2™ Valve Maintenance Kit
(Pc. No. 282098N)



Bendix® LQ-4™ Valve Maintenance Kit
(Pc. No. 289500N)



Bendix® LQ-5™ Valve Maintenance Kit
(Pc. No. 107195)



Bendix® MV-3® Valve Maintenance Kit
(Pc. No. 5002741)



Bendix® MV-3® Valve Maintenance Kit
(Pc. No. 5002742)



Bendix® PP-DC® Valve Maintenance Kit
(Pc. No. 5006939)



Bendix® PP-1® Valve Maintenance Kit
(Pc. No. 281126N)



Bendix® PP-2™ Valve Maintenance Kit
(Pc. No. 281127N)



Bendix® PP-3™ Valve Maintenance Kit
(Pc. No. 280857N)



Bendix® PP-7™ Valve Maintenance Kit
(Pc. No. 287367)



Bendix® PR-3™ & PR-4™ Valve Maintenance Kit
(Pc. No. 287366)



Bendix® QRN™ Valve Maintenance Kit
(Pc. No. 104463)



Bendix® R-6™ Valve Maintenance Kit
(Pc. No. 280856N)



Bendix® R-7™ Valve Maintenance Kit
(Pc. No. 283861)



Bendix® R-8™ Valve Maintenance Kit
(Pc. No. 287370N)



Bendix® R-12P™ Valve Maintenance Kit
(Pc. No. 109265)



Bendix® R-12® DuraDrain® Valve Maintenance Kit
(Pc. No. 5004029)



Bendix® R-12® Valve Maintenance Kit
(Pc. No. 5002831)



Bendix® R-12® Valve Maintenance Kit
(Pc. No. 5019003)



Bendix® R-14® Valve Maintenance Kit
(Pc. No. 102802N)



Bendix® R-8P™ Valve Maintenance Kit
(Pc. No. 103799)



Bendix® RE-6® Valve Maintenance Kit
(Pc. No. 282812)



Bendix® RE-6® Valve Maintenance Kit
(Pc. No. 282813)



Bendix® SR-1™ Valve Maintenance Kit
(Pc. No. 108123)



Bendix® SR-2™ Valve Maintenance Kit
(Pc. No. 287691)



Bendix® SR-4™ Valve Maintenance Kit
(Pc. No. 108259)



Bendix® SR-4™ Valve Maintenance Kit
(Pc. No. 102048)



Bendix® SR-5™ Valve Maintenance Kit
(Pc. No. 109015)



Bendix® TC-2™ Valve Maintenance Kit
(Pc. No. 276122)



Bendix® TC-6™ Valve Maintenance Kit
(Pc. No. 289890)



Bendix® TC-7™ Valve Maintenance Kit
(Pc. No. 102145)



Bendix® TP-3® Valve Maintenance Kit
(Pc. No. 280858N)



Bendix® TP-3DC™ Valve Maintenance Kit
(Pc. No. 5000073)



Bendix® TP-4™ Valve Maintenance Kit
(Pc. No. 283863)



Bendix® TP-5™ Valve Maintenance Kit
(Pc. No. 289061)

Straight Arm

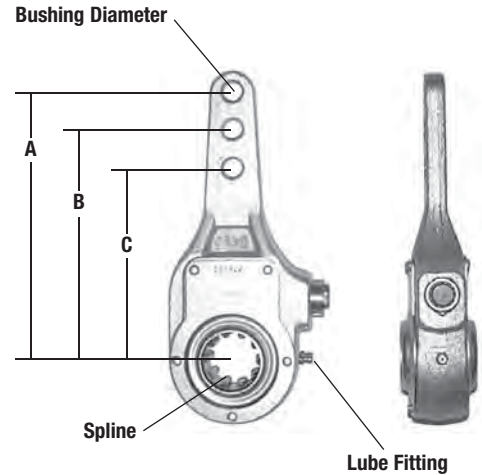
V.M.R.S. 13-001-030 (FRONT)
13-002-028 (REAR)

i SD-05-1200

Selecting A Slack Adjuster

1. Determine if straight or offset arm. If offset, determine if RH or LH is needed.
2. Identify spline size (diameter and number of teeth).
3. Select model needed.
4. Determine the arm hole used (if slack contains more than one).
5. Identify bushing diameter.

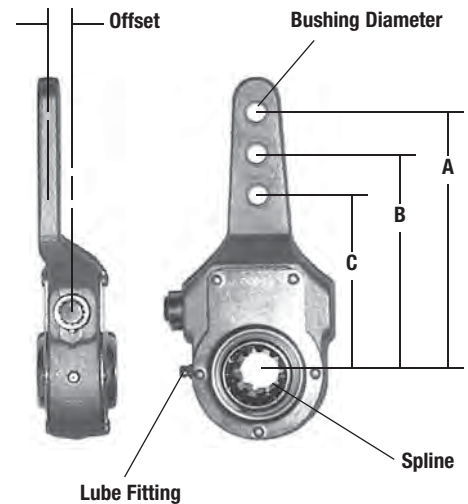
| Service New Pc. No. | SAE Torque Rating-lbs | Spline | Teeth | Arm Length (In.) | | | Bushing Dia. | Lube Fitting | Fitting Direction |
|--|--|--------|-------|---|---|---------------------------------|--------------|--|--|
| | | | | A | B | C | | | |
| 278302 278305 | 26,000 26,000 | 1-1/4" | 10 | 5.5 7.0 | 4.5 6.0 | - 5.0 | 0.5 | Straight | Straight |
| 278323N 278326N 278008 278010N 278045N 279634N | 26,000 26,000 30,000 30,000 30,000 30,000 | 1-1/2" | 10 | 7.0 6.5 6.5 6.0 7.0 7.75 | 6.0 5.5 5.5 5.0 6.0 6.75 | 5.0 - - - 5.0 - | 0.5 | Straight | Straight |
| 101827N 277959N 102110N 278016N 278017N 278035N | 26,000 26,000 30,000 30,000 30,000 30,000 | 1-1/2" | 10 | 6.0 6.5 6.5 6.5 6.0 7.5 | - 5.5 5.5 5.5 5.0 5.5 | - - - - - - | 0.625 | 90 Deg. Straight 90 Deg. Straight Straight Straight | Left Straight Down Straight Straight Straight |
| 288282 286965N 288753N 287899N | 26,000 26,000 26,000 30,000 | 1-1/2" | 28 | 7.0 6.0 6.5 6.5 | 6.0 5.0 5.5 5.5 | 5.0 - - - | 0.5 | Straight Straight Straight Straight | Straight Straight Straight Straight |
| 101133N 101134 101289N 101290N 101214N 101215N 101216N | 26,000 26,000 26,000 26,000 30,000 30,000 30,000 | 1-1/2" | 28 | 6.0 6.5 6.5 6.0 6.5 6.0 7.0 | 5.0 5.5 5.5 5.0 5.5 5.0 - | - - - - - - - | 0.625 | Straight Straight 90 Deg. 90 Deg. Straight Straight Straight | Straight Straight Right Right Straight Straight Straight |
| 283411 | 26,000 | 1-5/8" | 37 | 6.0 | - | - | 0.5 | Straight | Straight |



Offset Arm

Left Hand (LH) Shown -
Right Hand (RH) Opposite

| Service New Pc. No. | SAE Torque Rating-lbs | Spline | Teeth | Arm Length (In.) | | | Bushing Dia. | Lube Fitting | Offset | Handed |
|--|-----------------------|--------|-------|--|--|--|--------------|--------------|--------|--|
| | | | | A | B | C | | | | |
| 278288 278289 278294N 278295 | 26,000 | 1-1/4" | 10 | 6.0 6.0 5.5 5.5 | 5.0 5.0 4.5 4.5 | 4.0 4.0 - - | 0.5 | Straight | 0.625 | RH LH RH LH |
| 278252 278253 279300N 279301N 279946N 279947N 280424 280425 282560 282561 | 26,000 | 1-1/2" | 10 | 5.5 5.5 5.25 5.25 7.0 7.0 6.0 6.0 6.5 6.5 | 4.5 4.5 - - 6.0 6.0 5.0 5.0 5.5 5.5 | - - - - - - 4.0 4.0 - - | 0.5 | Straight | 0.625 | RH LH RH LH RH LH RH LH RH LH |
| 279309 279350 279351N 288539N 288540N 288541N 288542N | 20,000 | 1-1/2" | 10 | 5.75 7.0 7.0 6.5 6.5 6.0 6.0 | - - - 5.5 5.5 5.0 5.0 | - - - - - - - | 0.5 | Straight | 1.5 | LH RH LH RH LH RH LH |
| 101413N 101414N 287896 287897 | 20,000 | 1-1/2" | 28 | 5.5 5.5 6.5 6.5 | - - 5.5 5.5 | - - - - | 0.5 | Straight | 1.5 | LH RH RH LH |

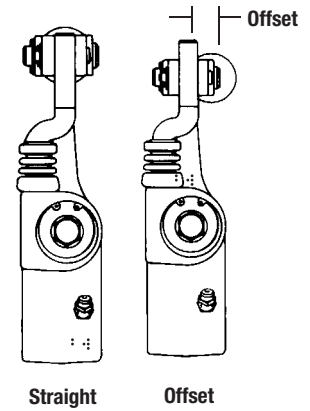
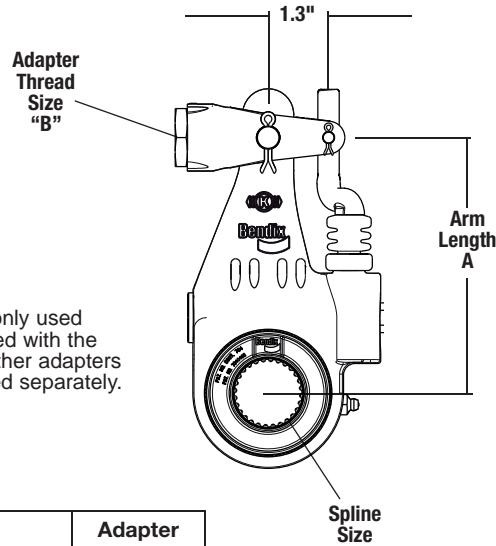


Bendix® Versajust® LS Automatic Slack Adjuster

V.M.R.S. 013-001-030 (FRONT)
013-002-028 (REAR)

SD-05-4630

The most commonly used adapter is supplied with the slack adjuster. Other adapters may be purchased separately.



All offset slack adjusters are provided as shown. If the opposite offset is needed, remove the yoke and rotate 180°.

| Bendix® Versajust® LS Slack Adjuster Service Assembly Pc. No. | Arm Length "A" | Yoke Type | Yoke Offset | Adapter Thread Size "B" |
|---|----------------|-----------|-------------|-------------------------|
| 1 1/2"-10C Spline | | | | |
| K096199 | 5.0" | — | — | — |
| K050079 | 5.0" | EO | Straight | 5/8" |
| K041772 | 5.5" | — | — | — |
| K041870 | 5.5" | EO | Straight | 5/8" |
| K102425 | 5.5" | EO | 5/8" Offset | 5/8" |
| K043124 | 5.5" | QC | Straight | 5/8" |
| K041768 | 6.0" | — | — | — |
| K041876 | 6.0" | EO | Straight | 5/8" |
| K043134 | 6.0" | QC | Straight | 5/8" |
| 1 1/2"-28 Spline | | | | |
| K096198 | 5.0" | — | — | — |
| K095826 | 5.0" | QC | Straight | 5/8" |
| K047150 | 5.0" | EO | Straight | 5/8" |
| K041771 | 5.5" | — | — | — |
| K043197 | 5.5" | EO | Straight | 5/8" |
| K102427 | 5.5" | EO | 5/8" Offset | 5/8" |
| K034076 | 5.5" | QC | Straight | 5/8" |
| K041769 | 6.0" | — | — | — |
| K041877 | 6.0" | EO | Straight | 5/8" |
| K047457 | 6.0" | QC | Straight | 5/8" |
| 1 5/8"-37 Spline | | | | |
| K102372 | 6.0" | QC | Straight | 5/8" |
| K102369 | 5.5" | EO | Straight | 5/8" |
| K102371 | 6.0" | EO | Straight | 5/8" |



Bendix® Versajust® LS Automatic Slack Adjuster Exterior

The Easy-On (EO) yoke assemblies are standard on the Bendix® Versajust® LS service basic slack adjusters. If the Quick Connect (QC) yoke is required, it must be purchased separately and installed by the customer.

All Bendix® Versajust® LS slack adjusters are supplied with a 45° lube fitting unless otherwise noted.

Bendix® Versajust® LS Automatic Slack Adjuster Kits

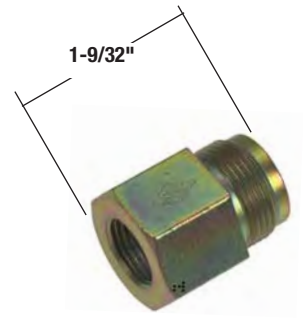
| Complete Yoke Kit with Adapter Pc. No. | Yoke Kit Pc. No. | Adapter | | |
|--|---------------------|-------------|--------------------------|---------------|
| | | Kit Pc. No. | Size | Type |
| K045129 | K041758 | 107162 | 1/2"-20 | Quick Connect |
| K045130 | K041758 | 107161N | 5/8"-18 | Quick Connect |
| K046614 | K154438 | 292756N | 1/2"-20 x 25/32" Length | Easy-On |
| K046615 | K154438 | 291452N | 5/8"-18 x 25/32" Length | Easy-On |
| K046616 | K154438 | 297001N | 1/2"-20 x 1-9/32" Length | Easy-On |
| K046617 | K154438 | 297700N | 5/8"-18 x 1-9/32" Length | Easy-On |
| K047168 | K041758 | K045525N | M16 x 1.5 | Quick Connect |



Standard Easy-On Yoke Kit



Standard Easy-On Adapter



Extended Easy-On Adapter



Quick Connect Yoke Kit



Quick Connect Adapter

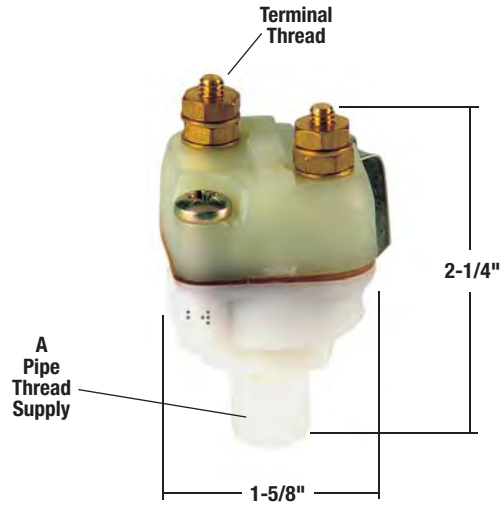
Bendix® SL-4™ Stop Light Switch

V.M.R.S. 34-002-008

[SD-06-1800](#)

| Service New Pc. No. | A Pipe Thread | Terminal Thread |
|---------------------|---------------|-----------------|
| K101996 | 1/4" | 8-32 |
| K101997 | 1/4" | 10-32 |
| K101998 | 1/4" | 5/32" B.S.W. |

B.S.W. = British Standard Whitworth

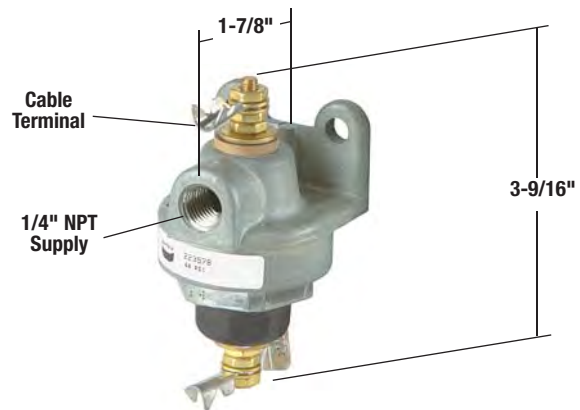


Bendix® LP-2™ Low Pressure Indicator

V.M.R.S. 03-001-037

[SD-06-1600](#)

| Service New Pc. No. | Cut-Out Pressure P.S.I. | Remarks |
|---------------------|-------------------------|------------------------|
| 223578N | 60 + 5 - 0 | |
| 224044 | 70 ± 6 | Without Cable Terminal |



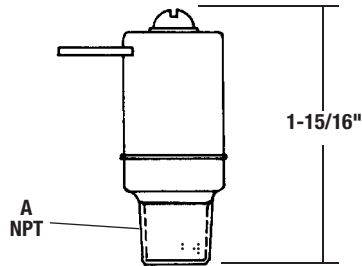
Bendix® LP-3™ Low Pressure Indicator

V.M.R.S. 03-001-037

i [SD-06-1600](#)

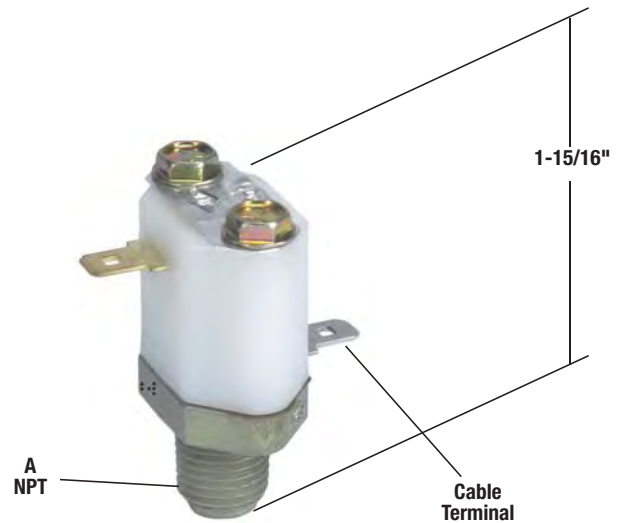
Single Terminal

| Service New Pc. No. | Cut-Out Pressure P.S.I. | A Pipe Thread |
|---------------------|-------------------------|---------------|
| 279416N | 60 ± 6 | 1/4" |
| 279472 | 75 ± 6 | 1/4" |
| 280530N | 70 ± 6 | 1/4" |
| 289397N | 75 ± 6 | 1/8" |



Double Terminal

| Service New Pc. No. | Cut-Out Pressure P.S.I. | A Pipe Thread | Comments |
|---------------------|-------------------------|---------------|--------------------|
| 228750N | 60 ± 6 | 1/4" | |
| **275083N | — | 1/4" | |
| 276599N | 30 ± 3 | 1/4" | |
| 277155N | 50 ± 5 | 1/4" | |
| *280743N | 60 ± 6 | 1/4" | w/o cable terminal |
| 284793N | 80 ± 6 | 1/4" | w/o cable terminal |
| 284833N | 70 ± 6 | 1/4" | w/o cable terminal |
| 283029N | 60 ± 6 | 1/4" | w/o cable terminal |
| 288522 | 66 ± 6 | 1/4" | w/o cable terminal |



*Push-on terminal

Pc. No. 275083N has a **cut-in pressure of 75 ± 6 PSI

Air Horn Kits

- Kits Include Horn Valve, Tubing & Fittings

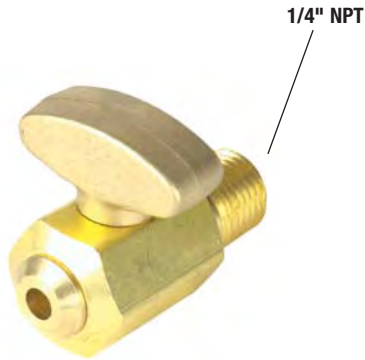
i [SD-06-130](#)

| Air Horn Kits | Application Description |
|---------------|--|
| 207945N | Includes Hand Operated Horn Valve 228013 |
| 207946 | Includes Foot Operated Horn Valve 228672 |

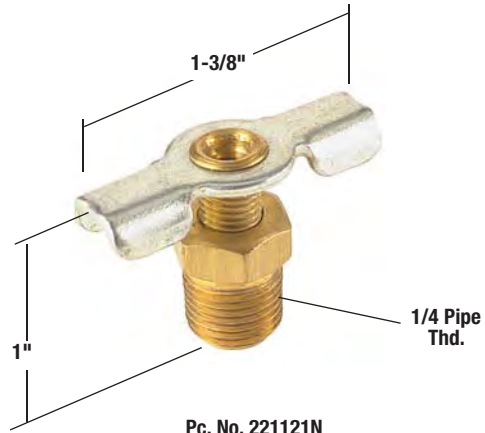
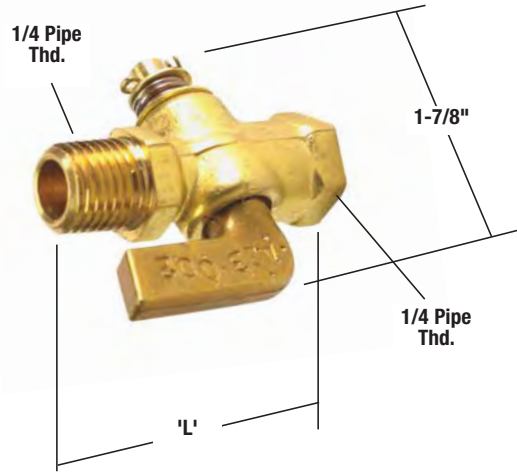


Bendix® C-1™ and C-3™ Cut-Out Cocks

| Service New Pc. No. | 'L' Length | Comments |
|---------------------|------------|-----------------|
| 226338N | 1-7/8" | Open as shown |
| 276068N | 2-3/8" | Closed as shown |



Pc. No. 103385N



Bendix® C-5™ Cut-Out Cock

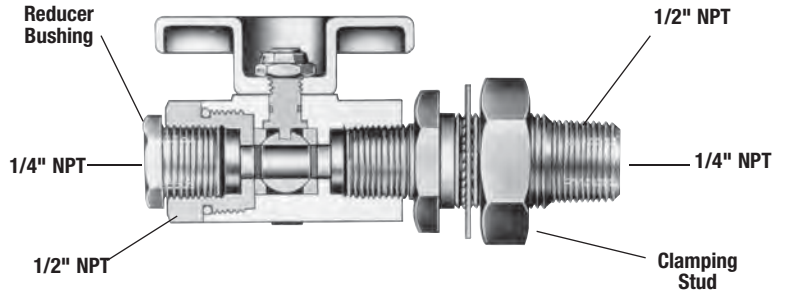
- Maintenance Kit 285938
- Handle Kit K026452

i SD-06-1800

| Service New Pc. No. | Clamping Stud Pc. No. | Reducing Bushing Pc. No. | Comments |
|---------------------|-----------------------|--------------------------|------------|
| 285172N | NONE | NONE | Non-vented |
| 285697 | 205730N | 212741 | Non-vented |
| 106118N | — | — | Vented |



Bendix® C-5™ Valve Maintenance Kit Pc. No. 285938



Knowledge Dock™

Please select media to browse.

Blog

Video Blog

Tech Tips

Podcast

Trucking moves fast. Move faster.

Knowledge Dock™

• BLOGS • PODCASTS • VIDEOS • 24/7/365

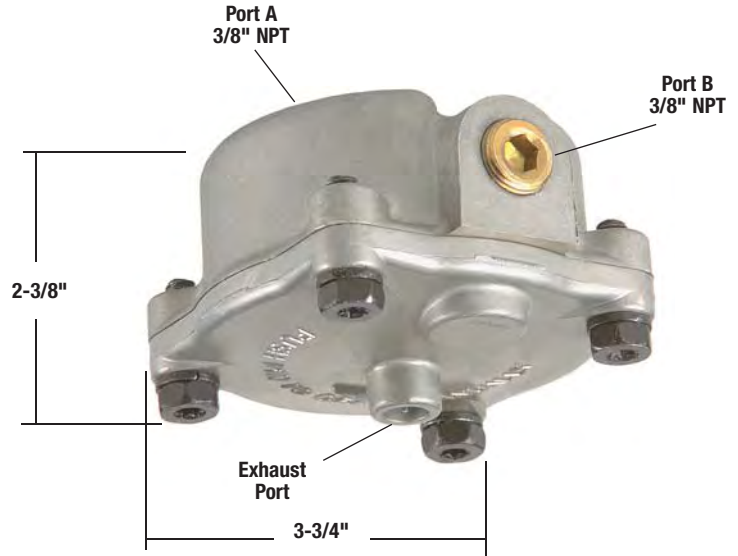
knowledge-dock.com

Bendix® DV-2™ Automatic Reservoir Drain Valve

- Available Remanufactured Exchange
- Maintenance Kit 282134

V.M.R.S. 13-010-007

[SD-03-2501](#)



When mounted, the exhaust port must point down toward the road.

| Reman. Exch. Pc. No. | Service New Pc. No. | Port A | | Port B | | Heater System |
|----------------------|---------------------|----------------------|-------------------|----------------------|-------------------|---------------|
| | | 1/4" Adapter Pc. No. | Pipe Plug Pc. No. | 1/4" Adapter Pc. No. | Pipe Plug Pc. No. | |
| 281923RX | 281923N | 293248N | – | – | 233057N | – |
| 281924RX | 281924N | – | 233057N | 293248N | – | – |
| 284412RX | 284412N | 293248N | – | – | 233057N | 12V |
| – | 284795N | – | 233057N | 293248N | – | 12V |
| 284412RX | 284817N | 293248N | – | – | 233057N | 24V |
| – | 800077 | 293248N | – | – | 233057N | 12V |



Maintenance Kit Pc. No. 282134

Copper Tubing and Tubing Clamps

V.M.R.S. 13-010-053

| Tubing Outside Diameter | Tubing Length | Carton of Coiled Copper Tubing Pc. No. |
|-------------------------|---------------|--|
| 1/4" | 50 Ft. | 279568 |
| 5/16" | 25 Ft. | 279569 |
| 5/16" | 50 Ft. | 279570 |
| 1/2" | 50 Ft. | 279574 |
| 5/8" | 25 Ft. | 279575 |
| 3/4" | 25 Ft. | 279576 |

All tubing above conforms with SAE Spec. J1149.

| For Tubing O.D. Size | Tubing Clamp (Rubber Covered) Pc. No. |
|----------------------|---------------------------------------|
| 1/4" | 232821N |
| 5/16" | 232822N |
| 3/8" | 232823N |
| 1/2" | 232824N |
| 3/4" | 232826N |

SAE Standard J844 Nylon Tubing

V.M.R.S. 13-010-003

| O.D. (Inches) | Wall Thickness (Inches) | Length Feet | Tubing Color | Nylon Tubing Pc. No. |
|---------------|-------------------------|-------------|--------------|----------------------|
| 1/8 | .023 | 100 | Black | 249094 |
| 1/8 | .023 | 1000 | Black | 112429 |
| 1/4 | .040 | 100 | Black | 246113 |
| 1/4 | .040 | 100 | Red | 248441 |
| 1/4 | .040 | 100 | Yellow | 248442 |
| 1/4 | .040 | 100 | Green | 248443 |
| 1/4 | .040 | 1000 | Black | 291995 |
| 5/16 | .046 | 100 | Black | 249095 |
| 3/8 | .062 | 100 | Black | 246115N |
| 3/8 | .062 | 100 | Red | 248444N |
| 3/8 | .062 | 100 | Yellow | 248445 |
| 3/8 | .062 | 100 | Green | 248446 |
| 3/8 | .062 | 100 | Orange | 248447 |
| 3/8 | .062 | 500 | Black | 291996 |
| 1/2 | .062 | 100 | Black | 246117 |
| 1/2 | .062 | 250 | Black | 246118 |
| 1/2 | .062 | 100 | Red | 248448 |
| 1/2 | .062 | 100 | Green | 248449N |
| 1/2 | .062 | 100 | Orange | 248450 |
| 1/2 | .062 | 500 | Black | 291997 |
| 5/8 | .092 | 100 | Black | 247606 |
| 3/4 | .092 | 100 | Black | 247607 |
| 3/4 | .092 | 100 | Green | 248451 |

Each carton of Nylon Tubing is designed for self-dispensing. Adaptable for use with Standard Air Brake Fittings with the use of inserts.

Tube Inserts for Nylon Tubing



Can be used with standard Bendix tubing fittings.

| For Tube Size O.D. | Service New Pc. No. |
|--------------------|---------------------|
| 1/4" | 246088N |
| 5/16" | 292802 |
| 3/8" | 246089N |
| 1/2" | 246090N |
| 5/8" | 247608 |

Standard Nuts and Sleeves



Nut



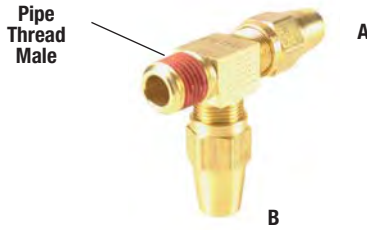
Sleeve

The tubing O.D. size determines the nut and sleeve used.

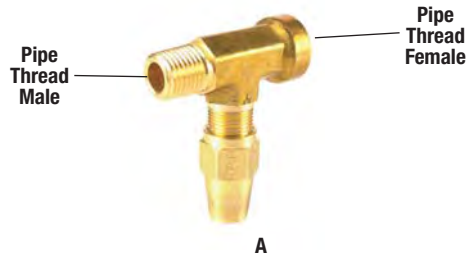
| For Tubing Size O.D. | Nut Pc. No. | Sleeve Pc. No. |
|----------------------|-------------|----------------|
| 1/4" | 200455 | 200457N |
| 5/16" | 200363 | 200364 |
| 3/8" | 200360N | 200361N |
| 1/2" | 203755N | 203754N |
| 5/8" | 210613 | 210612N |
| 3/4" | 203896 | 203897 |
| 1" | 203899 | 203900 |

Tubing Fittings

- Complies with DOT requirements per FMVSS 106.



| Pipe Thread Male | A Tubing O.D. | B Tubing O.D. | Tee Service New Pc. No. |
|------------------|---------------|---------------|-------------------------|
| 1/8" | 1/4" | 1/4" | 221978N |
| 1/4" | 3/8" | 3/8" | 205104N |
| 3/8" | 3/8" | 3/8" | 217050 |
| 3/8" | 3/8" | 1/2" | 224647N |



| NPT Female | NPT Male | A Tubing O.D. | Tee Service New Pc. No. |
|------------|----------|---------------|-------------------------|
| 1/4" | 1/4" | 3/8" | 217619N |
| 1/4" | 3/8" | 1/2" | 224799N |



| NPT Female | NPT Male | A Tubing O.D. | Tee Service New Pc. No. |
|------------|----------|---------------|-------------------------|
| 1/4" | 3/8" | 1/2" | 217640N |
| 3/8" | 1/2" | 1/2" | 275284N |



| NPT Male | A Tubing O.D. | B Tubing O.D. | Tee Service New Pc. No. |
|----------|---------------|---------------|-------------------------|
| 1/8" | 1/4" | 1/4" | 205182N |
| 1/8" | 3/8" | 3/8" | 217051N |
| 1/4" | 1/4" | 3/8" | 225838 |
| 1/4" | 3/8" | 3/8" | 205103N |
| 3/8" | 3/8" | 3/8" | 205177N |
| 3/8" | 1/2" | 3/8" | 224645N |
| 3/8" | 1/2" | 1/2" | 215700 |
| 1/2" | 1/2" | 1/2" | 224721N |
| 1/2" | 5/8" | 5/8" | 221982 |



| A Tubing O.D. | B Tubing O.D. | Union Service New Pc. No. |
|---------------|---------------|---------------------------|
| 1/4" | 1/4" | 205514 |
| 3/8" | 3/8" | 205134N |
| 1/2" | 1/2" | 215710 |
| 5/8" | 5/8" | 221826 |
| 3/4" | 3/4" | 216523 |
| 1" | 1" | 216339N |



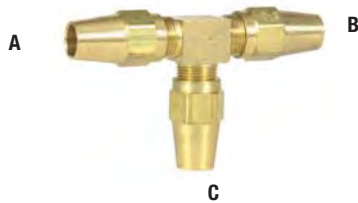
| NPT Female | A Tubing O.D. | B Tubing O.D. | Tee Service New Pc. No. |
|------------|---------------|---------------|-------------------------|
| 1/4" | 3/8" | 3/8" | 224681N |

Tubing Fittings (cont.)

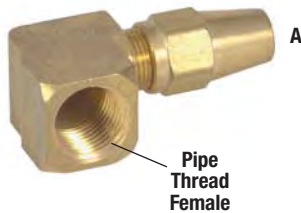
- Complies with DOT requirements per FMVSS 106.



| NPT Female | A Tubing O.D. | Connector Service New Pc. No. |
|------------|---------------|-------------------------------|
| 1/8" | 1/4" | 205101N |
| 1/4" | 3/8" | 205826 |
| 3/8" | 3/8" | 205827 |
| 3/8" | 1/2" | 215711 |
| 1/2" | 5/8" | 221987N |
| 1/2" | 3/4" | 229738N |



| A Tubing O.D. | B Tubing O.D. | C Tubing O.D. | Tee Service New Pc. No. |
|---------------|---------------|---------------|-------------------------|
| 1/4" | 1/4" | 1/4" | 221979N |
| 3/8" | 3/8" | 1/4" | 225760N |
| 3/8" | 3/8" | 3/8" | 205106N |
| 1/2" | 1/2" | 3/8" | 225836N |
| 1/2" | 1/2" | 1/2" | 215712N |
| 5/8" | 5/8" | 3/8" | 222064N |
| 5/8" | 5/8" | 5/8" | 221984 |



| NPT Female | A Tubing O.D. | Elbow Service New Pc. No. |
|------------|---------------|---------------------------|
| 1/8" | 1/4" | 221977N |
| 1/4" | 3/8" | 205135 |
| 3/8" | 3/8" | 205830 |
| 1/2" | 5/8" | 221983 |



| NPT Male | A Tubing O.D. | Connector Service New Pc. No. |
|----------|---------------|-------------------------------|
| 1/8" | 1/4" | 205127N |
| 1/8" | 3/8" | 205509N |
| 1/4" | 1/4" | 205183N |
| 1/4" | 5/16" | 205054 |
| 1/4" | 3/8" | 205053 |
| 1/4" | 1/2" | 217690N |
| 3/8" | 3/8" | 205824N |
| 3/8" | 1/2" | 217525N |
| 3/8" | 5/8" | 216685 |
| 1/2" | 3/8" | 222063 |
| 1/2" | 1/2" | 217691N |
| 1/2" | 5/8" | 216684N |
| 1/2" | 3/4" | 217621N |
| 3/4" | 3/4" | 215762 |
| 3/4" | 1" | 225786N |
| 1" | 1" | 215763 |



| NPT Male | A Tubing O.D. | B Height To Tubing Center | Elbow Service New Pc. No. |
|----------|---------------|---------------------------|---------------------------|
| 1/8" | 3/8" | 1-7/8" | 215953 |
| 1/8" | 1/4" | 3/4" | 205539N |
| 1/8" | 3/8" | 31/32" | 205522N |
| 1/2" | 3/4" | 1-3/8" | 217504N |
| 1/4" | 1/4" | 15/16" | 224318N |
| 1/4" | 3/8" | 31/32" | 205102N |
| 1/4" | 3/8" | 1-7/16" | 222858N |
| 1/4" | 1/2" | 1-1/8" | 220475N |
| 3/8" | 3/8" | 15/16" | 205829N |
| 3/8" | 1/2" | 1-1/8" | 215709N |
| 3/8" | 5/8" | 1-5/32" | 221993N |
| 1/2" | 3/8" | 1-5/16" | 222062N |
| 1/2" | 1/2" | 1-5/16" | 216310N |
| 1/2" | 5/8" | 1-3/8" | 221825N |
| 3/4" | 1/2" | 1-5/16" | 221536N |
| 3/4" | 5/8" | 1-5/16" | 229108N |
| 3/4" | 3/4" | 1-3/8" | 216520N |

Tubing Fittings (cont.)

- Complies with DOT requirements per FMVSS 106.



| A Tubing O.D. | B Tubing O.D. | Elbow Pc. No. |
|---------------|---------------|---------------|
| 3/8" | 3/8" | 205113 |



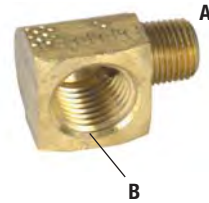
| NPT Male | A Tubing O.D. | Elbow (45°) Pc. No. |
|----------|---------------|---------------------|
| 1/4" | 3/8" | 220722N |
| 3/8" | 3/8" | 220291 |
| 3/8" | 1/2" | 220292 |
| 1/2" | 3/8" | 225650 |
| 1/2" | 1/2" | 227162 |
| 1/2" | 5/8" | 222065 |

Miscellaneous Fittings

V.M.R.S. 13-009-016



| NPT | | Street Elbow 90° Pc. No. |
|--------------|------|--------------------------|
| A | B | |
| Brass | | |
| 1/8" | 1/8" | 233567 |
| 1/4" | 1/4" | 233568 |
| 3/8" | 3/8" | 233569N |
| 1/2" | 1/2" | 233570 |



| NPT | | Reducing Elbow 90° Pc. No. |
|--------------|------|----------------------------|
| A | B | |
| Brass | | |
| 1/8" | 1/4" | 232871N |

| Reducing Bushing Pc. No. | Pipe Thread | |
|--------------------------|-------------|------|
| | A | B |
| Brass | | |
| 212862N | 3/8" | 1/4" |
| 230130N | 1/2" | 1/4" |
| 230808N | 1/2" | 3/8" |
| Steel | | |
| 212349N | 1/2" | 3/8" |



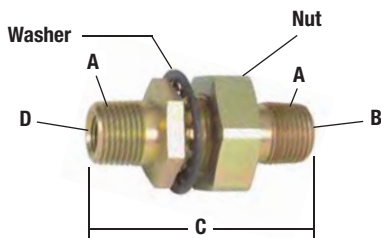
Miscellaneous Fittings (cont.)



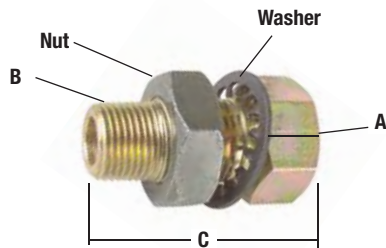
| A Pipe Tap | B Pipe Tap | Anchor Elbow Pc. No. |
|------------|------------|----------------------|
| 1/4" | 1/4" | 201030N |
| 3/8" | 3/8" | 212765N |



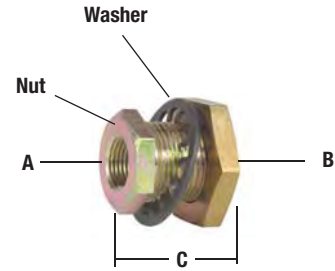
| A Pipe Tap | B Pipe Tap | Anchor Elbow Pc. No. |
|------------|------------|----------------------|
| 1/4" | 1/4" | 201010N |
| 3/8" | 3/8" | 233420N |



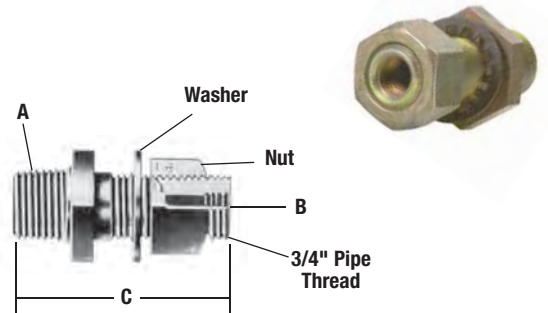
| A NPT | B Pipe Tap | C Length | D Pipe Tap | Clamping Stud Pc. No. |
|-------|------------|----------|------------|-----------------------|
| 1/2" | 1/4" | 2-15/16" | — | 205730N |
| 1/2" | 1/4" | 3-15/16" | — | 223464 |
| 1/2" | 1/4" | 2-15/16" | 1/4" | 228146 |



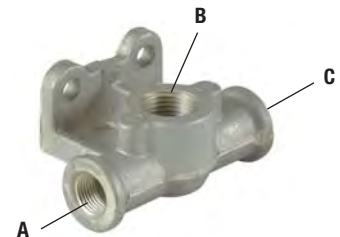
| A Pipe Tap | B NPT | C Length | Anchor Coupling Pc. No. |
|------------|-------|----------|-------------------------|
| 3/8" | 3/8" | 1-7/8" | 215672N |



| A Pipe Tap | B Pipe Tap | C Length | Anchor Coupling Pc. No. |
|------------|------------|----------|-------------------------|
| 1/8" | 1/8" | 1-17/32" | 225740N |
| 1/4" | 1/4" | 31/32" | 221204N |
| 1/4" | 1/4" | 1-17/32" | 205465N |
| 3/8" | 3/8" | 1-5/16" | 217709N |



| A NPT | B Pipe Tap | C Length | Clamping Stud Pc. No. |
|-------|------------|----------|-----------------------|
| 1/2" | 1/4" | 2-1/8" | 205498N |
| 1/2" | 1/4" | 2-1/2" | 205499 |

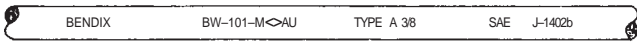


| A Pipe Tap | B Pipe Tap | C Pipe Tap | Anchor Tee Pc. No. |
|------------|------------|------------|--------------------|
| 1/4" | 3/8" | 1/4" | 231379N |
| 3/8" | 3/8" | 3/8" | 236056N |
| 3/8" | 1/2" | 3/8" | 239727N |

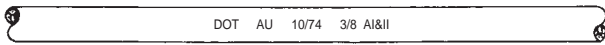
TYPE BW-101-M TYPE A HOSE is standard for all flexible connections in the air brake system where conditions do not require a larger hose. They are most commonly used for Brake Chamber Hose connections, or Trailer Hose connections.

Identify by inside and outside diameters and continuous marking on the outside surface.

3/8" I.D. TYPE A (FRONT VIEW)



BACK VIEW



BW-101-M HOSE is available as follows:

| PC. NO. | DESCRIPTION |
|---------|--------------------|
| 285496 | 50 Ft. Coil Carton |

**ORDER BY
PIECE NUMBER**

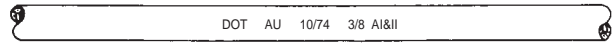
BW-304-M TYPE B HOSE is standard for all flexible connections in the air brake system where conditions do not require a larger hose. It is most commonly used for Brake Chamber Hose connections, or Trailer Hose connections.

Identify by inside and outside diameters and continuous markings on the outside surface.

3/8" I.D. TYPE B (FRONT VIEW)



BACK VIEW



BW-304-M HOSE is available as follows:

| PC. NO. | DESCRIPTION |
|---------|---------------------|
| 277546 | 50 Ft. Coil Carton |
| 285497 | 100 Ft. Coil Carton |
| 285498N | 250 Ft. Coil Reel |

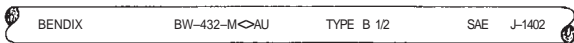
**ORDER BY
PIECE NUMBER**

TYPE BW-432-M TYPE B HOSE is of similar construction to BW-101-M TYPE B HOSE but has larger inside and outside diameters. It is used in special cases requiring a larger hose than the standard Type BW-101-M.

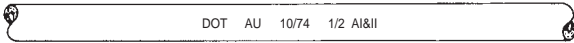
Identify by inside and outside diameters and continuous markings on the outside surface.

BW-127-M HOSE is available in a maximum length of 50 ft. It is supplied as follows:

1/2" I.D. TYPE B (FRONT VIEW)

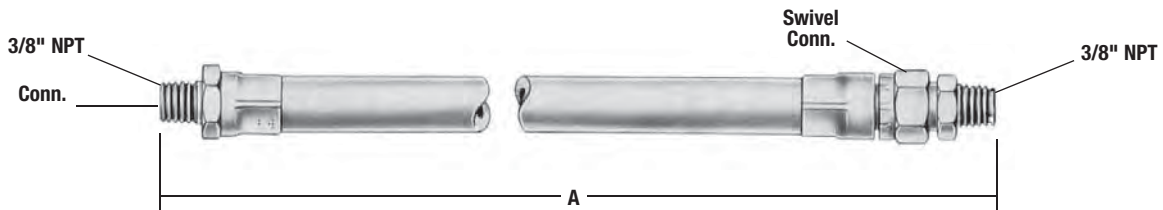


BACK VIEW



| PC. NO. | DESCRIPTION |
|---------|------------------|
| 5006705 | 50 Ft. Coil Bulk |

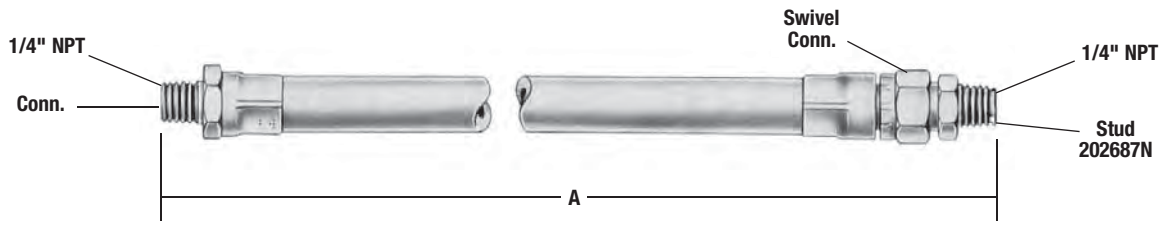
**ORDER BY
PIECE NUMBER**



BW-432-M Type B 1/2" I.D. x 7/8" O.D.

1/2" I.D. TYPE B HOSE

| A Overall Length | Hose Assembly Pc. No. | A Overall Length | Hose Assembly Pc. No. | A Overall Length | Hose Assembly Pc. No. | A Overall Length | Hose Assembly Pc. No. |
|------------------|-----------------------|------------------|-----------------------|------------------|-----------------------|------------------|-----------------------|
| 20" | 5005962 | 28" | 5005966 | 38" | 5005971 | 46" | 5005975 |
| 22" | 5005963 | 34" | 5005969 | 40" | 5005972 | | |



BW-304-M Type B 3/8" I.D. x 3/4" O.D.

3/8" I.D. TYPE B HOSE

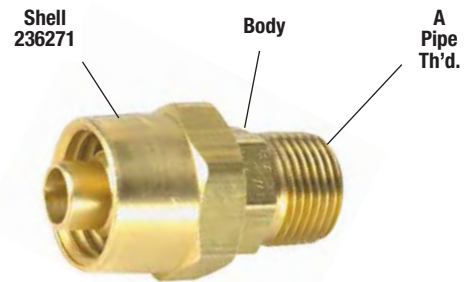
| A Overall Length | Hose Assembly Pc. No. | A Overall Length | Hose Assembly Pc. No. | A Overall Length | Hose Assembly Pc. No. | A Overall Length | Hose Assembly Pc. No. |
|------------------|-----------------------|------------------|-----------------------|------------------|-----------------------|------------------|-----------------------|
| 15-1/8 | 228533 | 24-7/8 | 228544N | 32 | 228552 | 45-1/8 | 228563 |
| 18-5/8 | 228535 | 26-7/8 | 228547 | 34-3/8 | 228554 | 50-1/8 | 228565 |
| 20-3/8 | 228539 | 27-5/8 | 228548 | 36-1/8 | 228555 | 68-5/8 | 228567 |
| 22-5/8 | 228541N | 29-1/8 | 228549 | 38-1/8 | 228557 | | |
| 24-1/8 | 228472 | 30-1/8 | 228550 | 42-5/8 | 228561 | | |

FOR 3/4 O.D. x 3/8 I.D. HOSE

Hose Connector

For BW-101-M & BW-304-M Hose

| A NPT | Hose Connector Pc. No. | Body Pc. No. |
|-------|------------------------|--------------|
| 1/4" | 226134 | 236268 |
| 3/8" | 226135 | 236269 |
| 1/2" | 226136 | 236270 |

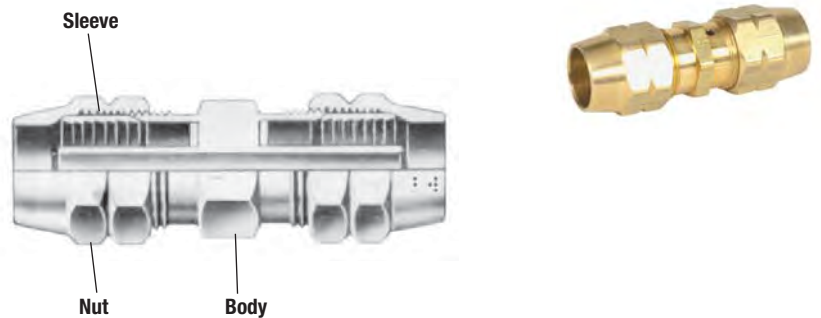


FOR 3/4 O.D. x 3/8 I.D. HOSE

Hose Union

For BW-101-M & BW-304-M Hose

| Hose Union Pc. No. | Body Pc. No. | Sleeve Pc. No. 2 Required | Nut Pc. No. 2 Required |
|--------------------|--------------|---------------------------|------------------------|
| 216678 | 216694 | 203610N | 203624 |

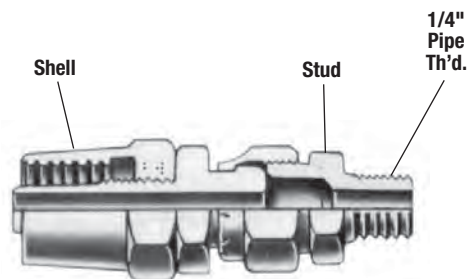


FOR 3/4 O.D. x 3/8 I.D. HOSE

Hose Connector (Swivel)

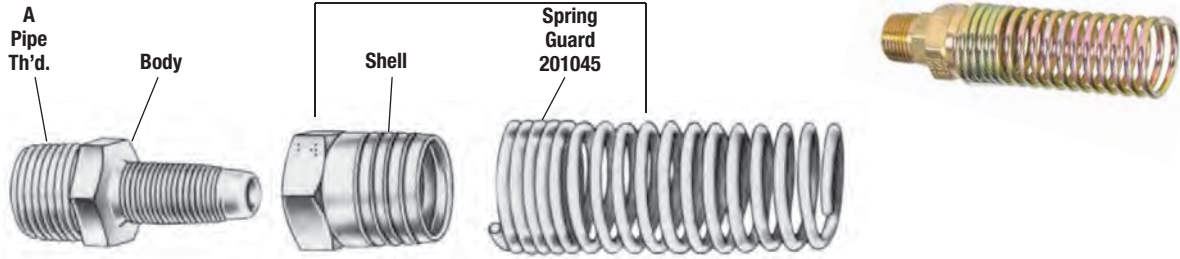
For BW-101-M & BW-304-M Hose

| Hose Connector (Swivel) Pc. No. | Stud Pc. No. | Shell Pc. No. |
|---------------------------------|--------------|---------------|
| 226293N | 202687N | 236271 |



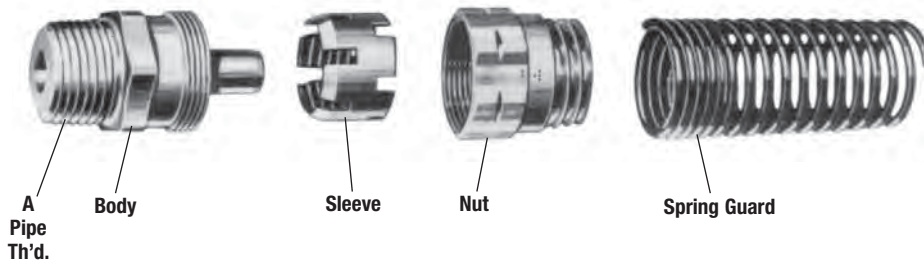
Shell and Spring Assy. 226950

FOR 3/4 O.D. x 3/8 I.D. HOSE



Hose Connector with Spring Guard For BW-101-M & BW-304-M Hose

| A NPT | Hose Connector with Spring Guard Pc. No. | Body Pc. No. |
|-------|--|--------------|
| 1/4" | 226137 | 236268 |
| 3/8" | 226138 | 236269 |
| 1/2" | 226139N | 236270 |



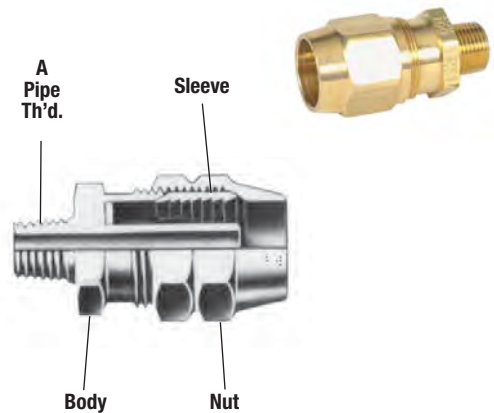
Hose Connector with Spring Guard

| A NPT | For Hose | Body Pc. No. | Sleeve Pc. No. | Nut Pc. No. | Spring Guard Pc. No. | Hose Connector with Spring Pc. No. |
|-------|-----------------------|--------------|----------------|-------------|----------------------|------------------------------------|
| 1/4" | 3/8" I.D. Types A & B | 215993 | 203610N | 203613 | 201045 | 215536N |
| 3/8" | 3/8" I.D. Types A & B | 233470 | 203610N | 203613 | 201045 | 223907N |
| 1/2" | 3/8" I.D. Types A & B | 215992 | 203610N | 203613 | 201045 | 215535N |

Hose Fittings

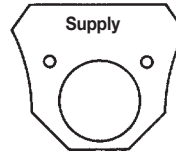
Hose Connector

| A NPT | For Hose No. | Hose Connector Pc. No. | Body Pc. No. | Sleeve Pc. No. | Nut Pc. No. |
|-------|----------------|------------------------|--------------|----------------|-------------|
| 1/2" | BW-101 & 304-M | 215539 | 215992 | 203610N | 203624 |
| 1/4" | BW-101 & 304-M | 215540N | 215993 | 203610N | 203624 |
| 3/8" | BW-127 & 348-M | 217604 | 216173 | 204741 | 212318 |
| 3/8" | BW-101 & 304-M | 224887 | 233470 | 203610N | 203624 |

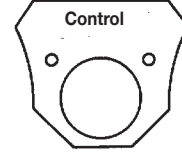


Hose Suspension Spring

| Description | Spring Pc. No. |
|-------------------|----------------|
| 3/4" Dia.-Std. | 200661N |
| 1-1/16" Dia.-H.D. | 249394 |



Connection Tag
For 'Supply' Hose Line
Pc. No. 201499N



Connection Tag
For 'Control' Hose Line
Pc. No. 201500N

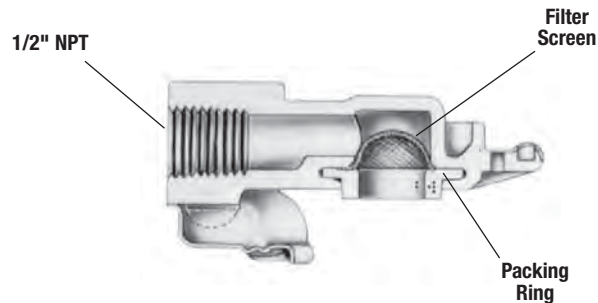
Hose Couplings

V.M.R.S. 13-010-030
13-010-031

Bendix® HC-1™ Hose Coupling

| Pc. No. | Filter Screen Pc. No. | Coupling Identification |
|---------|-----------------------|-------------------------|
| 275150N | None | None |
| *275824 | None | None |
| 278698N | 241839N | None |

* With 1/2" Nipple Pc. No. 212324N



Bendix® HC-2™ Hose Coupling

| Hose Coupling Pc. No. | Filter Screen Pc. No. | Coupling Identification |
|-----------------------|-----------------------|-------------------------|
| 278850N | None | Control |
| 278851N | None | Supply |
| 278852N | 241839N | Control |
| 278853N | 241839N | Supply |

Filter Screen



Pc. No. 241839N
Fits All Couplings

Packing Rings



Pc. No. 213630N
Standard

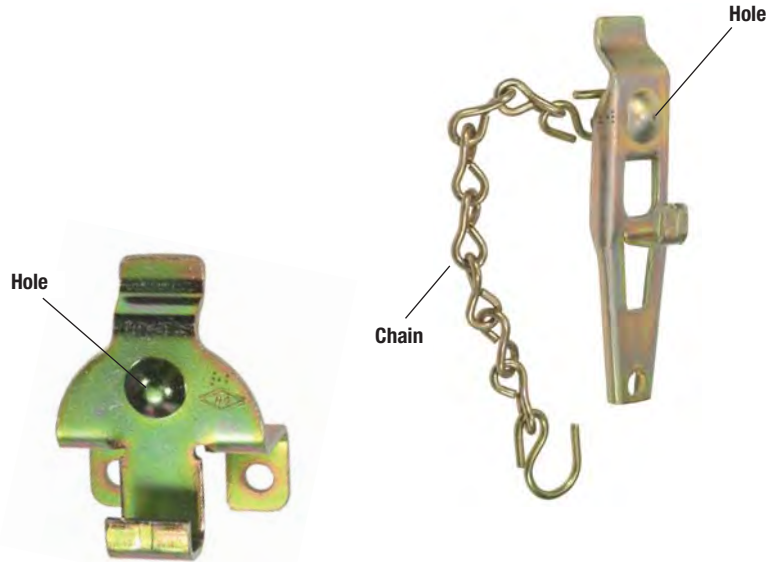


Pc. No. 248579
Double Lip
Fits All Couplings

Dummy Couplings

| Dummy Coupling with Chain Service New Pc. No. | Rivet Eye | Hole Dia. | Chain Pc. No. |
|---|-----------|-----------|---------------|
| 220635N | None | 1/8" | 212930 |
| 220636N | None | None | 212930 |
| 224810N | Included | None | 212930 |

| Dummy Coupling Service New Pc. No. | Hole Dia. |
|------------------------------------|-----------|
| 212227N | None |
| 291991N | 3/16" |

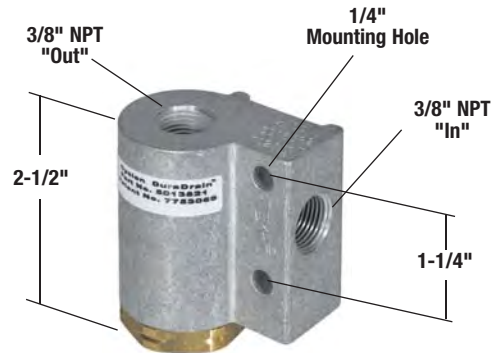


Bendix® Cyclone DuraDrain® Water Separator

- Removes moisture
- Purge Nut Kit Pc. No. 5013824
- Mounting Spacer Kit Pc. No. 5014792

[SD-08-2402](#)

| Service New Pc. No. |
|---------------------|
| 801747 |



Bendix® Trailer System-Guard® Air Dryer

- Removes both moisture and solid contaminants

[SD-08-2416](#)

| Service New Pc. No. |
|---------------------|
| 800765 |



All Supply and Control Ports 1/4" NPT

Bendix® PuraGuard® Filter

- For service new replacement assembly use PuraGuard® QC™ Filter Service Pc. No. 801731
- Maintenance Kit Pc. No. 5006788
- Rebuild Kit Pc. No. 5006789

i [SD-08-187](#)

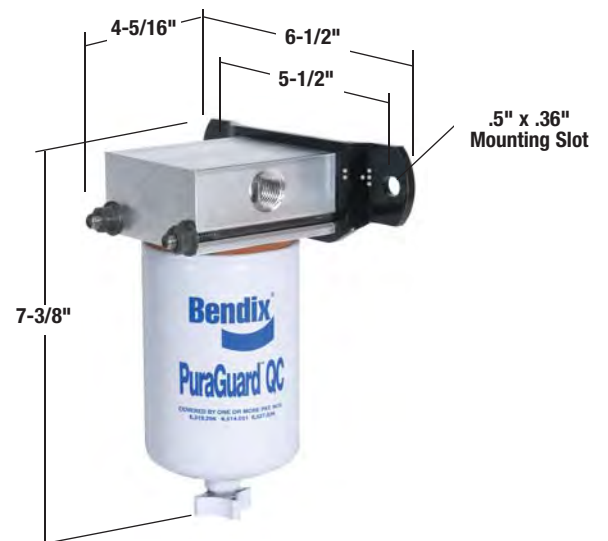


Bendix® PuraGuard® QC™ Filter

- Mounting Bracket Kit Pc. No. 5013671N
- Cartridge Kit Pc. No. 5013672

i [SD-08-187B](#)

| Service New Pc. No. |
|---------------------|
| 801731 |



Bendix® AF-3™ In-Line Filter

- Removes Solid Contaminants

i [SD-08-2401](#)

| Service New Pc. No. |
|---------------------|
| 801331 |



Bendix® AD-2® Air Dryer

- End Cover Available Remanufactured Exchange

V.M.R.S. 13-010-033

i [SD-08-2403](#)

Bendix® AD-2® Air Dryer Field Installation Kits For Trucks

| Reman. Exch. Pc. No. | Service New Pc. No. | Inlet/Outlet Size (NPT) | Heater |
|----------------------|---------------------|-------------------------|-----------|
| 286934RX | 286934N | 1/2" | 12V / 60W |
| — | 286936N | 1/2" | 24V / 60W |



Service/Maintenance Information Maintenance Kits:

| Service New Pc. No. | Description |
|---------------------|----------------------------------|
| 287298N | Check Valve Maintenance Kit |
| 107454N | Delivery Check Valve Complete |
| 286718 | Desiccant Cartridge Refill Kit |
| 287313 | Desiccant Cartridge Kit |
| 101900X | Reman. Desiccant Cartridge |
| 287053N | Purge Valve Maintenance Kit |
| 102657N | Thermostat Maintenance Kit |
| 288918 | Thermostat Cover Maintenance Kit |

End Covers

| Reman. Exch. Pc. No. | Service New Pc. No. | Heater |
|----------------------|---------------------|------------|
| 103253RX | — | 24V / 120W |
| 286875RX | 286875N | 12V / 60W |
| 286876RX | 286876 | 24V / 60W |

Bendix® AD-9si® Air Dryer

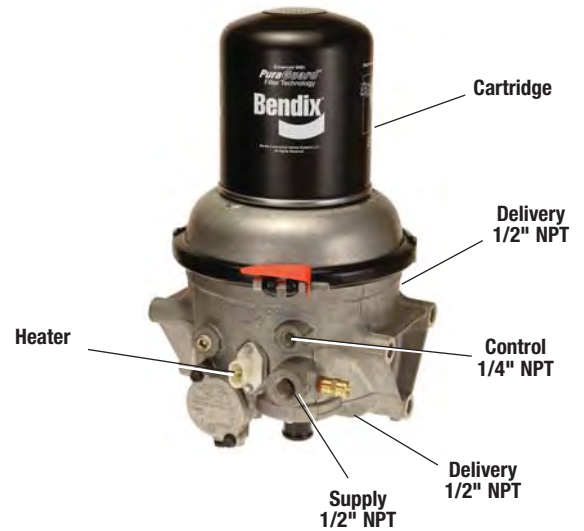
- End Cover Available Remanufactured Exchange

V.M.R.S. 13-010-033

i [SD-08-2433](#)

| Service New Pc. No. | Cartridge | Cartridge Type | Port Size (NPT) | Heater | Governor Included |
|---------------------|-----------|----------------|-----------------|-----------|-------------------|
| K092871PG | 5008414PG | PuraGuard® | 1/2" | 12V / 75W | Yes |
| K092871 | 5008414 | Standard | 1/2" | 12V / 75W | Yes |
| K092873PG | 5008414PG | PuraGuard | 1/2" | 12V / 75W | No |
| K109612 | 5008414PG | PuraGuard | 1/2" | 24V / 75W | No |
| K092873 | 5008414 | Standard | 1/2" | 12V / 75W | No |

IMPORTANT: If the Bendix® PuraGuard® oil coalescing cartridge is replaced, it must be replaced with a like unit.



| Maintenance Kits | |
|--|-----------|
| Kit Description | Piece No. |
| Delivery Check Valve Replacement Kit | K092011 |
| Desiccant Cartridge Replacement Kit (Standard) | 5008414 |
| Desiccant Cartridge Replacement Kit - Bendix AD-9si PuraGuard® air dryer (can be used to replace the standard cartridge) | 5008414PG |
| Governor Kit | K092010 |
| Heater & Thermostat Replacement (12 volt) | 109578 |
| Heater & Thermostat Replacement (24 volt) | 109579 |
| Safety Valve Replacement | 800155 |
| Silencer Kit (not shown) | K021189 |
| Wiring Harness & Splice Kit (not shown) | 109871N |
| Extended Purge Kits (not shown) | |
| 93 in³ Reservoir w/ 3/8"-16 U-bolts | 5012561N |
| 93 in³ Reservoir w/ 1/2"-13 U-bolts | 5005309N |
| 288 in³ Reservoir w/ 3/8"-16 U-bolts | 5008972 |

For purge valve kits see the Bendix® AD-IS®, AD-IP® and AD-9si® air dryer purge valve maintenance kit section of this catalog.

Bendix® AD-9® and AD-9® IPC Air Dryer

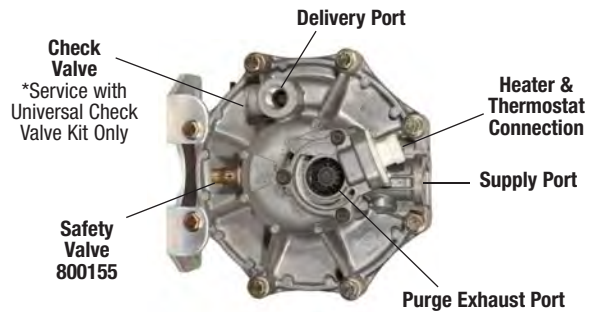
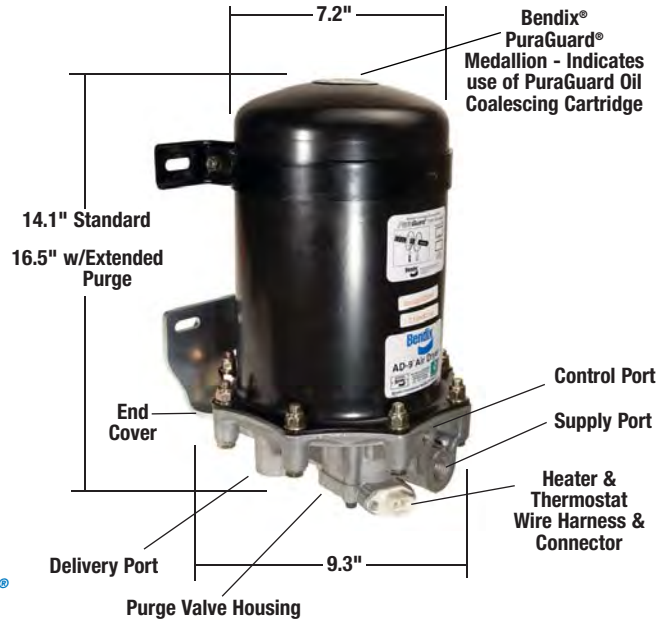
- More Desiccant Works Longer
- Compact Size Saves Space
- Remanufactured Exchange

V.M.R.S. 13-010-033

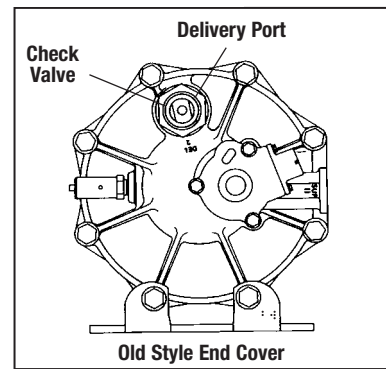
i SD-08-2412



IMPORTANT: If the Bendix® PuraGuard® oil coalescing cartridge is replaced, it must be replaced with a like unit.



New Style End Cover



| Service New Pc. No. | Reman. Exch. Pc. No. | Purge Volume | Purge Valve | Port Size (NPT) | Heater | Notes |
|---------------------|----------------------|--------------|-------------|-----------------|------------|---------------------------------|
| 065225 | 109685X | Standard | Hard | 1/2" | 12V / 75W | |
| 065226 | 109687X | Standard | Hard | 3/4" | 12V / 75W | |
| 800243 | - | Standard | Hard | 3/4" | 24V / 100W | |
| 065650 | 109689X | Standard | Soft | 1/2" | 12V / 75W | |
| 065651 | 109690X | Standard | Soft | 3/4" | 12V / 75W | |
| 065652 | 109691X | Extended | Soft | 3/4" | 24V / 75W | |
| 065499 | - | Standard | DLU | 1/2" | 12V / 75W | |
| 065605 | - | Standard | DLU | 3/4" | 24V / 75W | |
| 065647 | - | Standard | Soft | 1/2" | 12V / 75W | Drop In* |
| 065243 | 5000205X | Extended | Hard | 1/2" | 12V / 75W | |
| 065228 | 065228RX | Extended | Hard | 3/4" | 12V / 75W | |
| 800686 | - | Extended | Hard | 1/2" | 24V / 75W | |
| 065227 | 109688X | Extended | Hard | 3/4" | 24V / 75W | |
| 803106 | 5020297X | Standard | Hard | 1/2" | 12V / 75W | Freightliner® DTNA - Cascadia** |
| 800069 | | Extended | Soft | 1/2" | 24V / 75W | Drop In* |
| K046475 | | Standard | Soft | 1/2" | 12V / 75W | Tandem |
| K046476 | | Standard | Soft | 1/2" | 24V / 75W | Tandem |

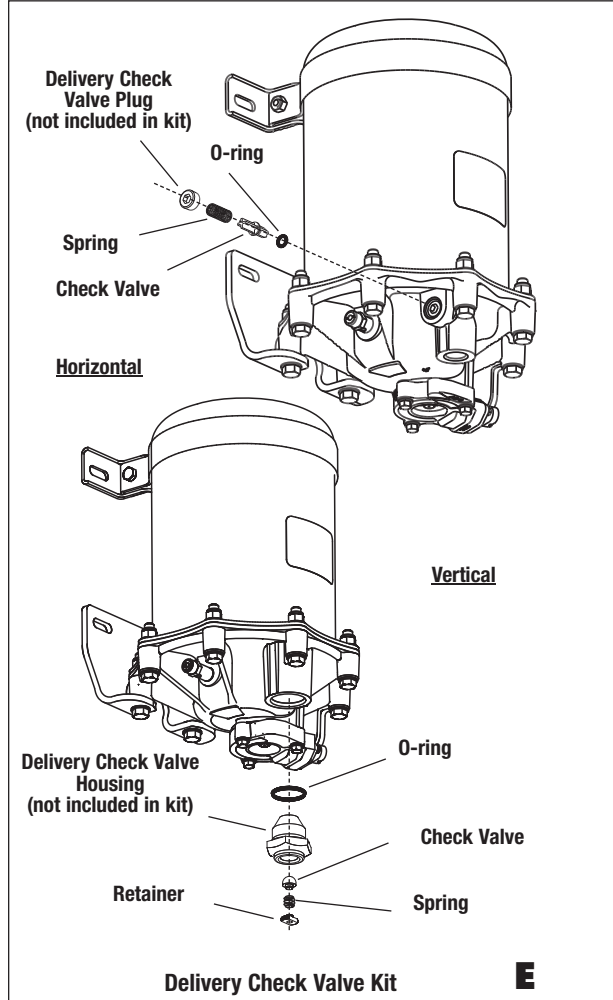
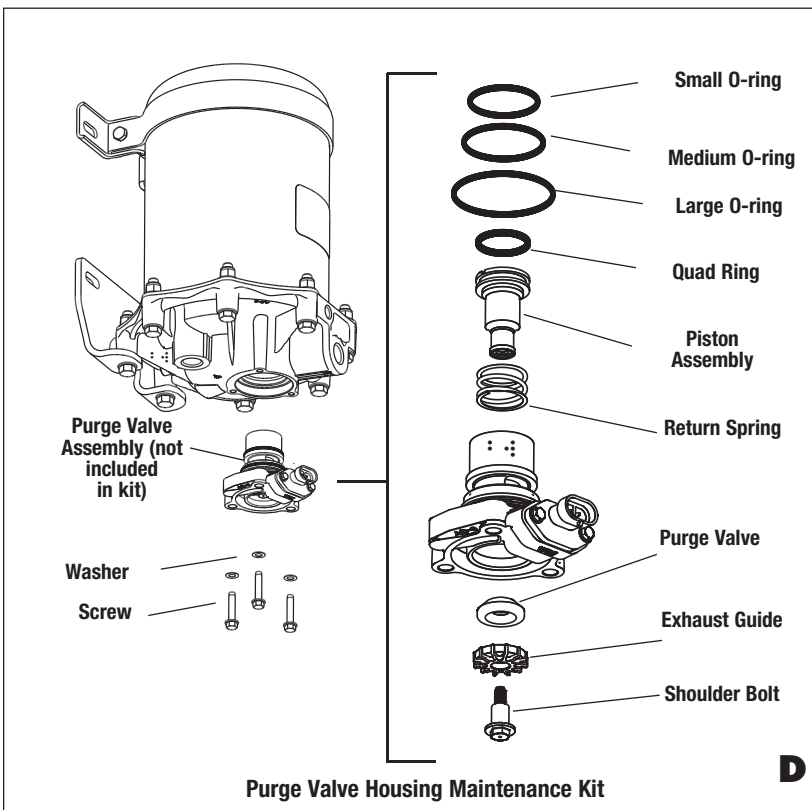
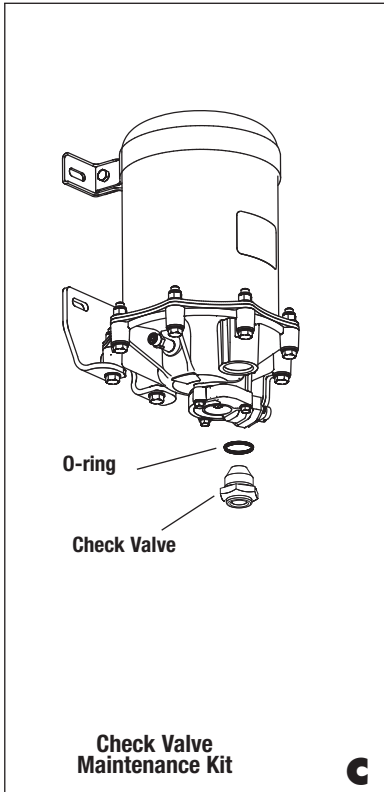
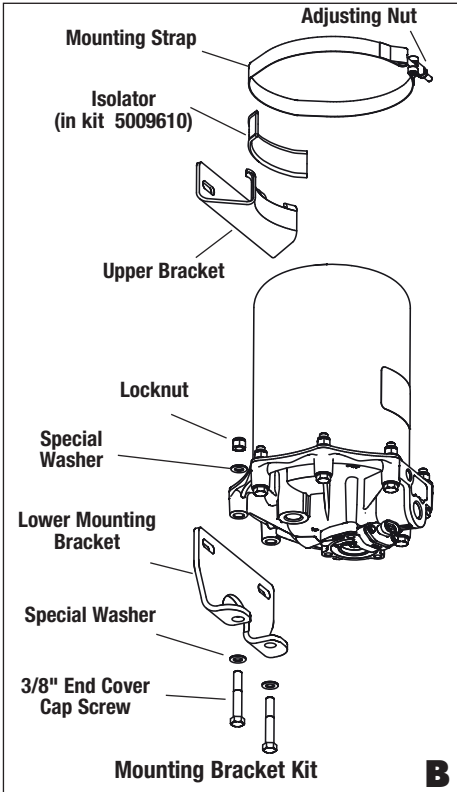
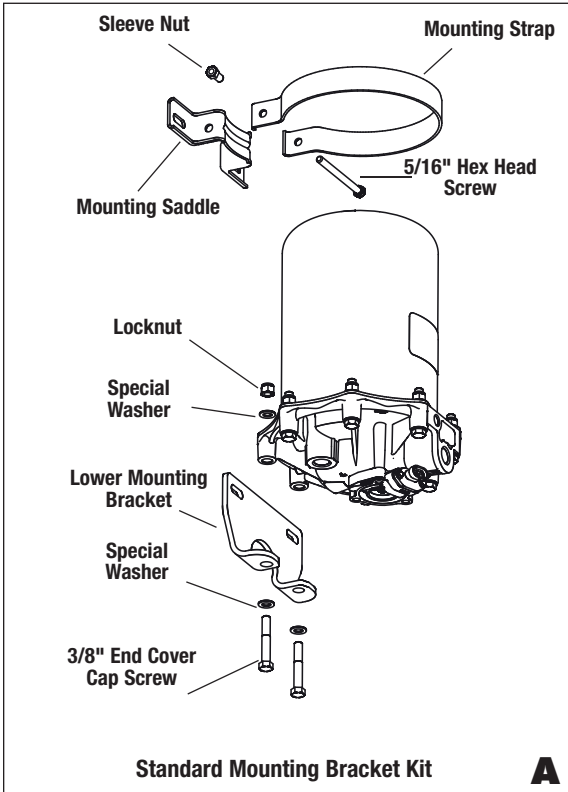
*For use with Holset Series QE Compressors only

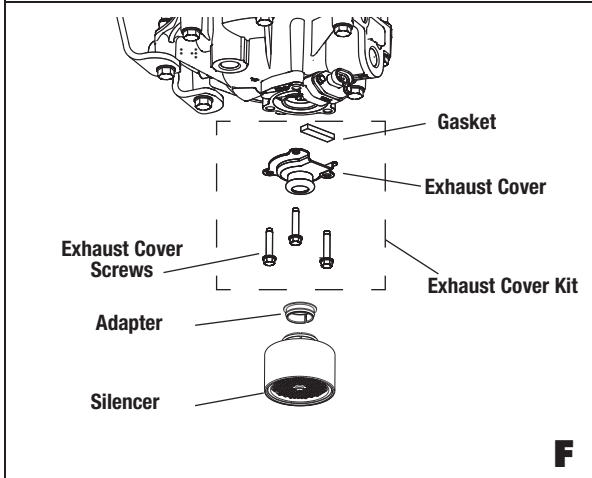
**Other Bendix® AD-9® air dryer models can not be used in this application.



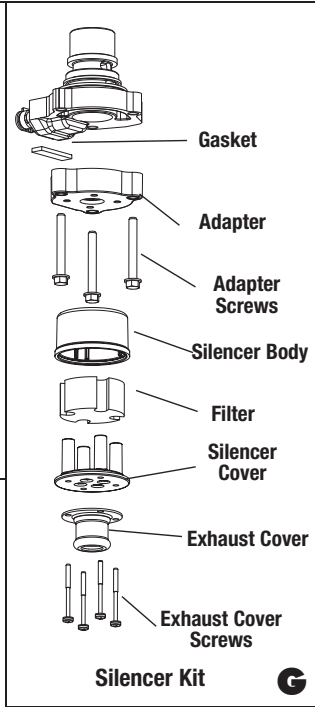
| Kit Part Number | Service New (S) or Reman Exchange (RX) | Purge Valve Type | Heater | Connector Color | Kit Description | Illustration (see following pages) |
|-----------------|--|------------------|----------|-----------------|--|------------------------------------|
| 107695 | S | - | - | - | Complete Mounting Bracket Kit - Contains the upper and lower brackets as well as the necessary mounting hardware. | A |
| 5002080 | S | - | - | - | Mounting Kit | B |
| 5009610 | S | - | - | - | Mounting Kit with Isolator | |
| 107799 | S | - | - | - | End Cover Check Valve Assembly Replacement - 3/4" thread size. | C |
| 107800N | S | - | - | - | End Cover Check Valve Assembly Replacement - 1/2" thread size. | |
| 5005037 | S | Hard Seat | - | - | Purge Valve Housing Maintenance Kit - Contains the parts necessary to rebuild the air portion of the purge valve housing and does not include the heater and thermostat. | D |
| 5005893 | S | Soft Seat | - | - | | |
| K041395 | S | - | - | - | Universal Check Valve Kit | E |
| 5003838 | S | - | - | - | Exhaust Cover Kit | F |
| 5004224N | S | - | - | - | Silencer Kit | G |
| 107796 | S | - | - | - | Desiccant Cartridge Replacement Kit - Contains the parts necessary to change the desiccant cartridge only. | H |
| 107794X | RX | - | - | - | | |
| 107796PG | S | - | - | - | Bendix® PuraGuard® Oil Coalescing Desiccant Cartridge Replacement Kit - Contains the parts necessary to change the desiccant cartridge only. | |
| 107794PGX | RX | - | - | - | | |
| 109960 | S | - | - | - | Makeup Line Kit with 13 inch makeup line | I |
| 5000457 | S | - | - | - | Makeup Line Kit with 8.6 inch makeup line | |
| 109961 | S | - | - | - | Adapter Kit | |
| 800405 | S | Soft Seat | 12V-75W | White | Purge Valve Housing Assembly (w/ heater and thermostat) | J |
| 5004338 | S | Soft Seat | 24V-75W | Gray | | |
| 5004341X | RX | Soft Seat | 12V-75W | White | | |
| 5004342X | RX | Soft Seat | 24V-75W | Gray | | |
| 5004479 | S | Hard Seat | 12V-75W | White | | |
| 5004480 | S | Hard Seat | 24V-75W | Gray | | |
| 5004381 | S | Hard Seat | 24V-100W | Yellow | | |
| 5004339 | S | DLU | 12V-75W | White | | |
| 5004340 | S | DLU | 24V-75W | Gray | | |
| 5006580 | S | DLU | 24V-100W | Yellow | | |
| K092641 | S | - | - | - | Stabilizer Kit | K |
| 109578 | S | - | 12V-75W | White | Heater and Thermostat Kit | L |
| 109579 | S | - | 24V-75W | Gray | | |
| 5002595 | S | - | 24V-100W | Yellow | | |
| 109871N | S | - | - | - | Heater Electrical Splicing Kit | M |
| 113209 | S | - | - | - | Universal Mounting Plate | N |
| K045359 | S | - | - | - | Governor Mounting Bracket | - |
| 5018875 | S | - | - | - | Cartridge O-ring Kit | - |

| Bendix® AD-9® master kit part no. K119759 consists of the following kits: | |
|---|---|
| Kit | Description |
| 109578 | Heater and thermostat replacement kit |
| 5004479 | Standard purge valve assembly kit |
| K041395 | Universal check valve kit |
| 107794PG | Bendix AD-9 PuraGuard desiccant cartridge kit |

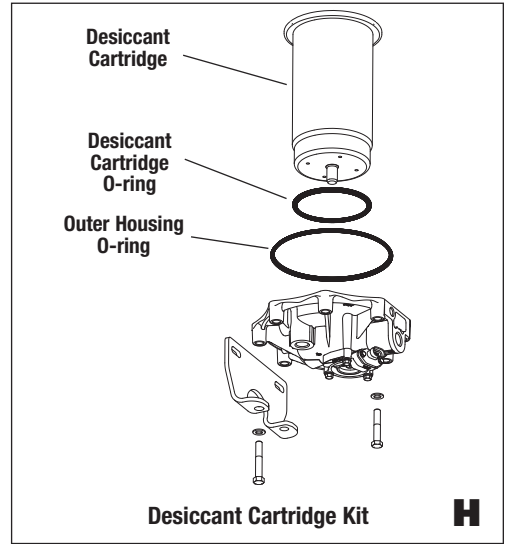




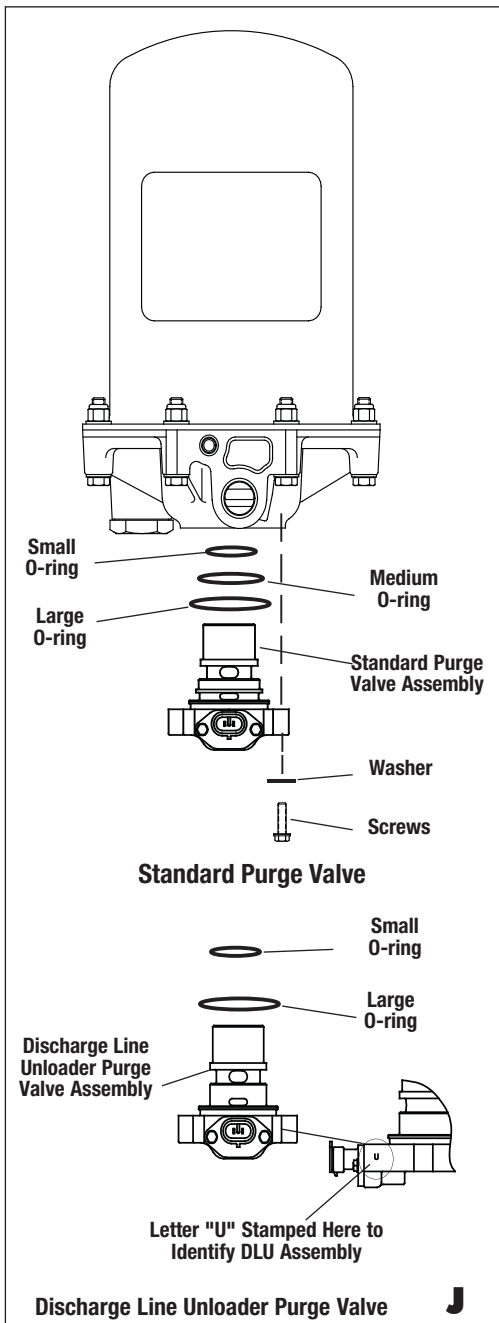
F



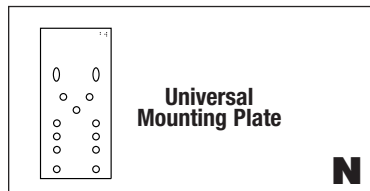
G



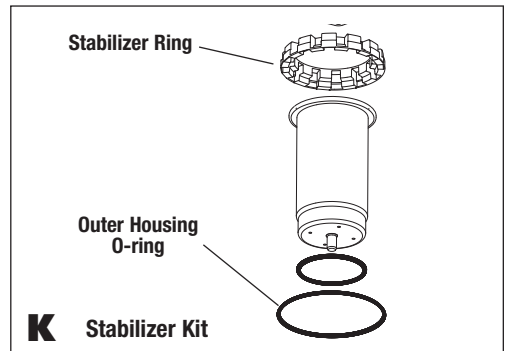
H



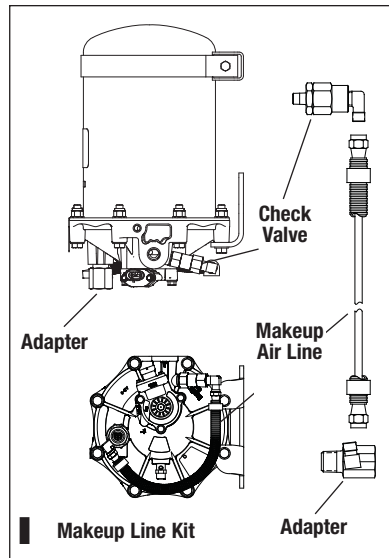
J



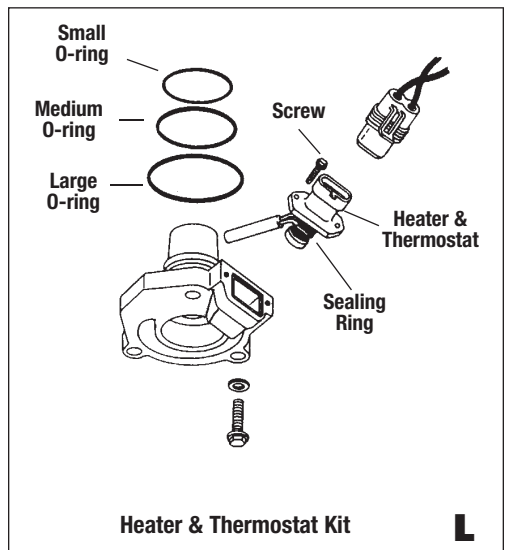
N



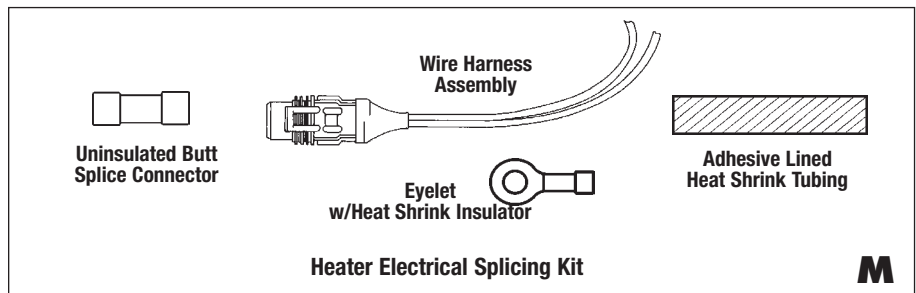
K



I



L



M

Bendix® AD-SP® Air Dryer

- System Purge

V.M.R.S. 13-010-033

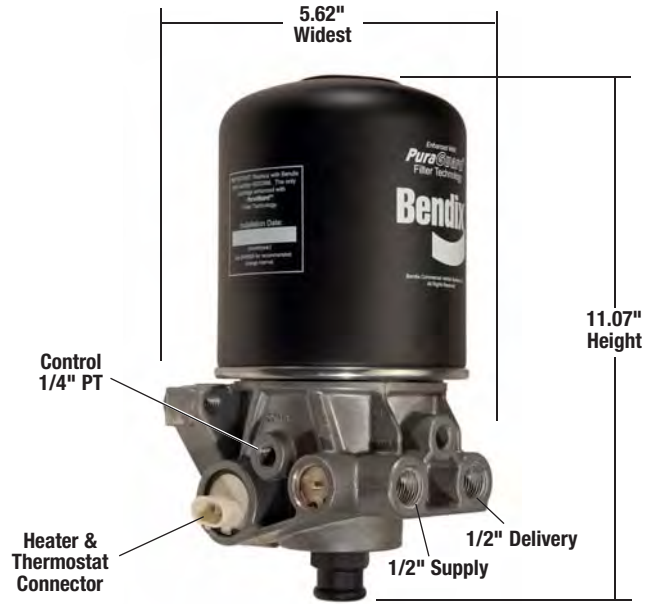
i SD-08-2415

Bendix® AD-SP® Air Dryers & Field Installation Kits

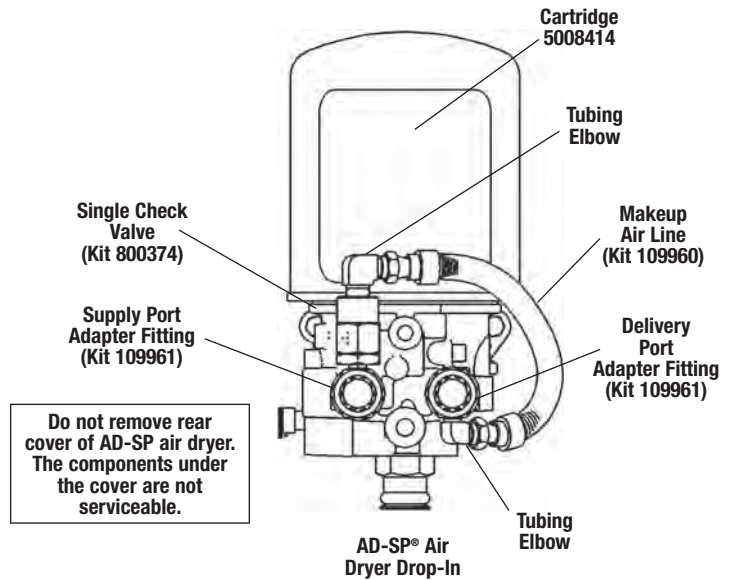
| AD-SP® Air Dryer w/ SC-PR™ Valve Service New Pc. No. | AD-SP® Air Dryer Service New Pc. No. | Heater & Thermostat Volts / Watt (See Note 1) | Comments |
|--|--------------------------------------|---|----------|
| 131031 | 800887 | 12V / 90W | — |
| 131032 | 800972 | 24V / 90W | — |
| — | 800973 | 12V / 90W | Drop-In |
| — | 800974 | 24V / 90W | Drop-In |

Note 1: 12 & 24 volt AD-SP air dryers are identified by connector color – White = 12V, Gray = 24V

| Maintenance Kits and Service Parts | |
|---|-----------|
| Desiccant Cartridge Kit | 5008414 |
| Bendix® PuraGuard® Oil Coalescing Cartridge Kit | 5008414PG |
| Purge Valve Kit | 109995 |
| Check Valve Kit | 5005624 |
| Mounting Bolt Kit | 5001201 |
| Silencer Kit | K021189 |
| Turbo Cut-off Kit | 109993 |
| Heater & Thermostat Kit - 12V | 109495 |
| Heater & Thermostat Kit - 24V | 109496 |
| Wire Harness & Splice Kit | 109871N |



Bendix® AD-SP® Air Dryer



Bendix® SC-PR™
Single Check Protection Valve – must be used in conjunction with the Bendix AD-SP Air Dryer 065677 - Service New



IMPORTANT: If the Bendix® PuraGuard® oil coalescing cartridge is replaced, it must be replaced with a like unit.

Bendix® AD-IP® Air Dryer

- Integral Purge Air Dryer

V.M.R.S. 13-010-033

i SD-08-2414

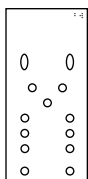
| Description | Pc. No. |
|---|-----------|
| Cartridge Bolt Kit | 109498 |
| Desiccant Cartridge Service New | 065624 |
| Desiccant Cartridge Remanufactured | 109493X |
| Bendix® PuraGuard® Coalescing Cartridge Kit - Service New | 065624PG |
| PuraGuard Coalescing Cartridge Kit - Reman Exchange | 109493PGX |
| Desiccant Cartridge O-ring Kit | 5011387 |
| Delivery Check Valve Kit | 109494 |
| Exhaust Cover Kit | 5011327 |
| Extended Purge Kit 3/8" U-Bolt; 93 in ³ Reservoir | 5012561N |
| Extended Purge Kit 3/8" U-Bolt; 288 in ³ Reservoir | 5008972 |
| Extended Purge Kit 1/2" U-Bolt; 93 in ³ Reservoir | 5005309N |
| 12 Volt Heater & Thermostat Kit | 109495 |
| 24 Volt Heater & Thermostat Kit | 109496 |
| Mounting Bracket Kit | 5001247 |
| Silencer Kit | K021189 |
| Wiring Harness & Splicing Kit | 109871N |
| Bendix® ST-4™ Safety Valve | 800155 |

For purge valve kits see the Bendix® AD-IS® and AD-IP® Air Dryer Purge Valve Maintenance Kit section of this catalog.

| Service New Pc. No. | Reman. Exch. Pc. No. | Heater & Thermostat Volts / Watt | Comments |
|---------------------|----------------------|----------------------------------|---------------------|
| 065612 | 109477X | 12V / 90W | See notes 1-3 below |
| 065613 | 109478X | 24V / 90W | |
| 065693 | 109503X | 12V / 90W | |
| 800089 | 5000985X | 12V / 90W | |
| 800618 | 5006234X | 24V / 90W | |
| 800576 | 5005556X | 12V / 90W | |

Notes:

1. 12 & 24 volt air dryers are identified by connector color - White = 12v, Gray = 24v
2. Center to center of slots in both mounting brackets 5.64 inches
3. Includes 5001247 (mounting bracket kit).



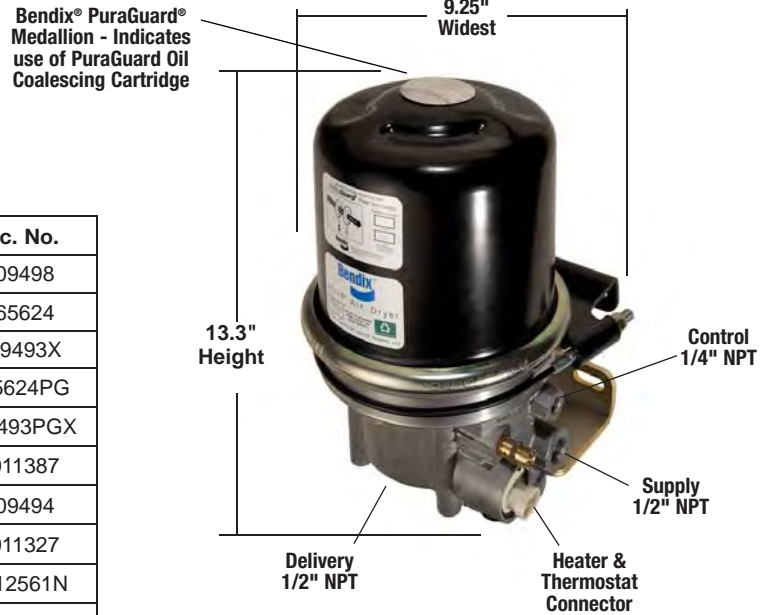
Universal Mounting Plate
Pc. No. 113209
(Can be used to mount any Bendix® air dryer to vehicle)



Exhaust Cover Kit 5011327



Wire Harness Assembly
(Use Kit 109871N)



| Bendix® AD-IP® Master Kit Part No. K119758 consists of the following kits: | |
|--|--|
| Kit Pc. No. | Description |
| 109495 | Heater and thermostat replacement kit |
| 109494 | Delivery port check valve replacement kit |
| K022105 | Purge valve assembly replacement kit |
| 109493PG | Bendix AD-IP PuraGuard desiccant cartridge kit |

All AD-IP air dryers are extended purge capable.



Bendix® AD-IP® Drop-In Air Dryer

Bendix® AD-IP® Drop-In Air Dryer

| Service Pc. No. | Reman Pc. No. | Supply Port | Delivery Port | Heater & Thermo. Volts / Watt | Comments |
|-----------------|---------------|-------------|---------------|-------------------------------|-----------|
| 800067 | 5000709X | 1/2" PT | 1/2" PT | 12V / 90W | Notes 1-3 |

Notes:

1. All replacement air dryers include 5001247 (mounting bracket kit).
2. 12 & 24 volt air dryers are identified by connector color - White = 12v, Gray = 24v
3. Includes Drop-In Check Valve Kit

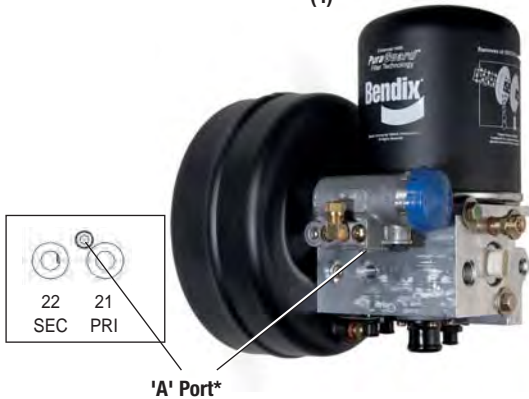
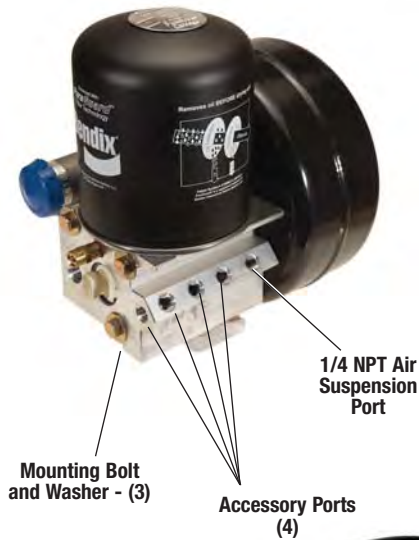
IMPORTANT: If the Bendix® PuraGuard® oil coalescing cartridge is replaced, it must be replaced with a like unit.

Bendix® AD-IS® Air Dryer

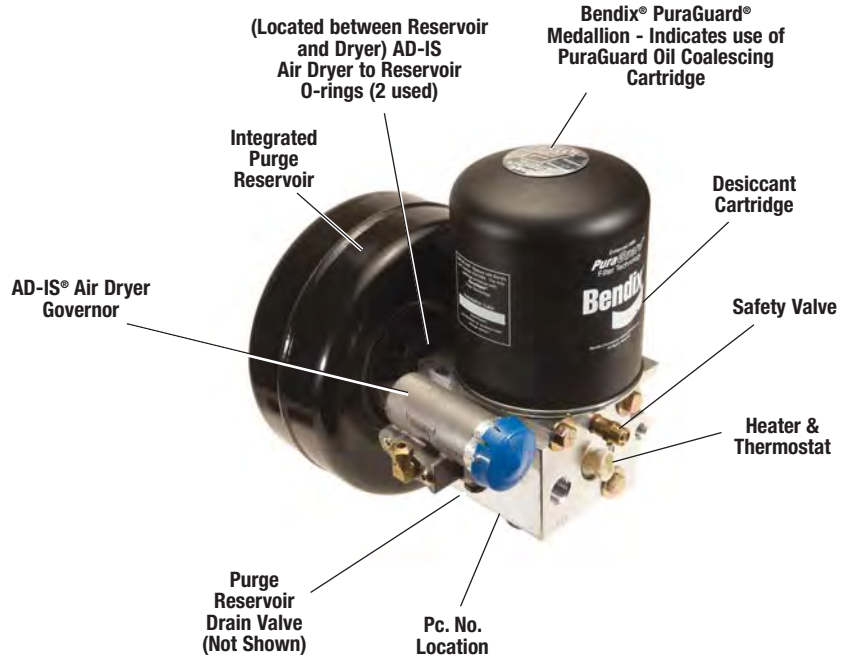
- Spin on cartridge

V.M.R.S. 13-010-033

i SD-08-2418



*Bendix AD-IS air dryers with a plugged port 'A' can not be interchanged with those that do not have a port in this location.



KITS AND SERVICE PARTS

| | |
|--|-----------|
| Delivery Check Valve Replacement Kit | 5004052 |
| Desiccant Cartridge Replacement Kit | 5008414 |
| Integrated Bendix® PuraGuard® Coalescing Desiccant Cartridge Service New Kit | 5008414PG |
| Drain Valve | 5004961N |
| Governor | 800361 |
| Governor Adapter | 5003698 |
| Governor and Check Valve Replacement Kit | 5004049 |
| Governor Gasket | 5007834 |
| Heater & Thermostat Replacement (12 volt) | 109495 |
| Heater & Thermostat Replacement (24 volt) | 109496 |
| Mounting Bolt & O-Ring Kit | 5009233 |
| Protective Boots (for pressure protection valves) | 5005163 |
| Safety Valve | 800350 |
| Splash Shield Kit (includes bracket and cover) | 5006698 |
| Splash Shield Cover | 5005266N |
| Silencer Kit | K021189 |
| Wiring Harness & Splice Kit | 109871N |

Specialty Kits

| | |
|--|---------|
| Adapter Block and Check Valve Kit | 5011033 |
| Delivery Check Valve Kit for Adapter Block | 5011034 |
| Exhaust Cover Kit for Purge Valve | 5011327 |
| Governor (KB low range) and Check Valve Kit | 5010935 |
| Extended Purge Kit (converts a single AD-IS extended purge to a tandem AD-IS extended purge kit) | 5018543 |

Notes:

1. For purge valve kits see the Bendix® AD-IS® and AD-IP® Air Dryer Purge Valve Maintenance Kits section of this catalog.
2. There are no kits available for the pressure protection valves. These are not serviceable items - see warning below.

| Bendix® AD-IS® Master Kit Part No. K119757 consists of the following kits: | |
|--|--|
| Kit | Description |
| 109495 | Heater and Thermostat replacement kit |
| 5004052 | Delivery check valve replacement kit |
| K022105 | Purge valve assembly replacement kit |
| 5008414PG | Bendix AD-IS PuraGuard desiccant cartridge kit |

| Pc. No. on AD-IS® Air Dryer (Ref.) | 'A' Port* | Service Pc. No. | Reman Pc. No. | Primary Port | Primary Port Opening Pressure | Secondary Port | Secondary Port Opening Pressure | Accessory Ports Opening Pressure | Suspension Port Opening Pressure | Heater Voltage (90 Watt) | Comments |
|------------------------------------|-----------|-----------------|---------------|--------------|-------------------------------|----------------|---------------------------------|----------------------------------|----------------------------------|--------------------------|---------------------|
| 5005921 (Note 2) | — | 800959 | 5008871X | 1/2" PTC | 103 psi | 1/2" PTC | 109 psi | 55 psi | 85 psi | 12 | GMT560-C (obsolete) |
| 5008296 (Note 2) | Plugged | 801145 | 5010104X | 1/4" NPT | 106 psi | 1/4" NPT | 106 psi | 106 psi | 106 psi | 24 | Orion Bus |
| 5008925 (Note 2) | — | — | 5008871X | 1/2" PTC | 103 psi | 1/2" PTC | 109 psi | 55 psi | 85 psi | 12 | GMT560-T (obsolete) |
| 5010134 | Plugged | 801147 | 5010133X | 1/4" NPT | 106 psi | 1/4" NPT | 106 psi | 106 psi | 106 psi | 12 | Generic 12V |
| 5010135 | Plugged | 801147 | 5010133X | 1/4" NPT | 106 psi | 1/4" NPT | 106 psi | 106 psi | 106 psi | 12 | Generic 12V |
| 5010212 | Plugged | 801164 | 5010211X | 1/4" NPT | 106 psi | 1/4" NPT | 106 psi | 106 psi | 106 psi | 24 | Generic 24V |
| 5010213 | Plugged | 801164 | 5010211X | 1/4" NPT | 106 psi | 1/4" NPT | 106 psi | 106 psi | 106 psi | 24 | Generic 24V |
| 5010694 (Note 1) | Plugged | 801266 | 5010696X | 1/4" NPT | 103 psi | 1/4" NPT | 109 psi | 109 psi | 109 psi | 12 | Peterbilt |
| 5010900 | Plugged | 810301 | 5010924X | 1/4" NPT | 103 psi | 1/4" NPT | 103 psi | 103 psi | 109 psi | 12 | DLU Operation |
| 5015533 | Plugged | 801266 | 5010696X | 1/4" NPT | 103 psi | 1/4" NPT | 109 psi | 109 psi | 109 psi | 12 | Kenworth |
| 5015534 | Plugged | 801266 | 5010696X | 1/4" NPT | 103 psi | 1/4" NPT | 109 psi | 109 psi | 109 psi | 12 | Kenworth |
| 5016364 (Note 2) | Plugged | 802191 | — | 1/4" NPT | 106 psi | 1/4" NPT | 106 psi | 106 psi | 106 psi | 12 | International |
| 5016420 (Note 2) | — | 802174 | 5008871X | 1/2" PTC | 103 psi | 1/2" PTC | 109 psi | 55 psi | 85 psi | 12 | GMT560-C (obsolete) |
| 5016421 (Note 2) | — | 802174 | 5008871X | 1/2" PTC | 103 psi | 1/2" PTC | 109 psi | 55 psi | 85 psi | 12 | GMT560-T (obsolete) |

Notes:

1. Contains three (3) Accessory ports - all other Bendix® AD-IS® air dryers shown have four (4) Accessory ports.
2. Bendix AD-IS® air dryer has 1/4" NPT auxiliary inlet port.

Bendix® AD-IS® and AD-IP® Air Dryer Purge Valve Maintenance Kits

| Description | Configuration / Installation | Piece Number* | Purge Valve Type |
|--|--|---------------|------------------|
| Purge Valve Assembly Kit for climate conditions above -40°C (-40°F) | Bendix® AD-IS® / AD-IP® / AD-9si® Air Dryer | K022105 | Hard Seat |
| | AD-IS/ AD-IP EverFlow® Air Dryer Modules, AD-9si Air Dryer (soft seat version) | K031560 | Soft Seat |
| Arctic Purge Valve Assembly Kit for climate conditions between -40°C to -50°C (-40°F to -58°F) | AD-IS / AD-IP / AD-9si Air Dryer | K031559 | Hard Seat |
| | AD-IS/ AD-IP EverFlow® Air Dryer Modules, AD-9si Air Dryer (soft seat version) | K031561 | Soft Seat |
| Purge Valve Assembly Kit for climate conditions above -40°C (-40°F) | AD-IP / AD-9si Discharge Line Unloader (DLU) Air Dryer | K031562 | — |
| Arctic Purge Valve Assembly Kit for climate conditions between -40°C to -50°C (-40°F to -58°F) | AD-IP / AD-9si Discharge Line Unloader (DLU) Air Dryer | K031563 | — |

WARNING:

Do not attempt to adjust or service the Pressure Protection valves. Incorrect pressure protection valve settings can result in automatic application of vehicle spring brakes without prior warning.

IMPORTANT: If the Bendix® PuraGuard® oil coalescing cartridge is replaced, it must be replaced with a like unit.

Bendix® DRM™ Dryer Reservoir Module with Bendix® AD-IS® Air Dryer

SD-98-9808

Bendix® AD-IS® Air Dryer is used on Bendix® DRM™ Dryer Reservoir Module

| AD-IS® Service New Pc. No. | AD-IS® Reman. Exch. Pc. No. | Pc. No. on AD-IS® Air Dryer (Reference) | 'A' Port* Plug | Suspension Port | Accessory Ports (Qty.) | Heater Voltage (90 Watt) |
|----------------------------|-----------------------------|---|----------------|-----------------|---------------------------|--------------------------|
| 800383 | 5004050X | 5003424 | without | 1/4" NPT | 1/4" NPT (4) | 12 |
| 800838 | 5008332X | 5007593 | without | 1/4" PTC | 1/4" NPT (3) 3/8" PTC (1) | 12 |
| 801100 | 5009483X | 5009232 | without | 1/4" NPT | 1/4" NPT (4) | 12 |
| 801330 | 5011075X | 5011074 | without | none | none | 12 |

PTC = Push-to-Connect

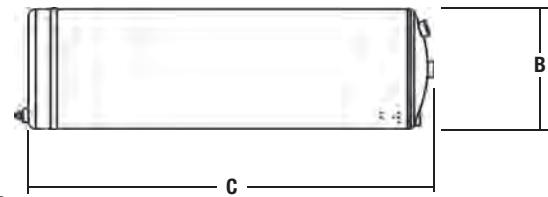
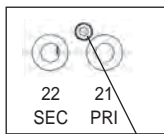


Figure 1

Bendix® PuraGuard® Medallion - Indicates use of PuraGuard Oil Coalescing Cartridge



'A' Port



Service and Remanufactured Bendix® AD-IS® air dryers do not include Bendix® DRM™ Reservoirs or Purge Volume Reservoirs.

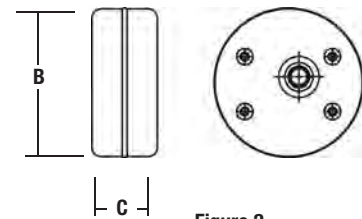


Figure 2

*Bendix® AD-IS® air dryers with a plugged port 'A' can not be interchanged with those that do not have a port in this location.

Reservoirs for Bendix® DRM™ Dryer Reservoir Module

| Service New Pc. No. | 'B' Dia. | 'C' Length | Number of Compartments | Comments | Figure |
|---------------------|----------|------------|------------------------|----------|--------|
| 5005313N | 9" | 53.5" | 2 | Steel | 1 |
| 5009107N | 9" | 55.5" | 2 | Aluminum | 1 |
| 5007588 | 9" | 26" | 3 | Steel | 1 |
| 5008939N | 9" | 29.8" | 2 | Steel | 1 |
| 5009569N | 12" | 56.1" | 3 | Steel | 1 |
| 5011548N** | 9" | 53.5" | 3 | Steel | 1 |

**for use on vehicle with FreedomLine transmission & has an integral 610 in³ chamber

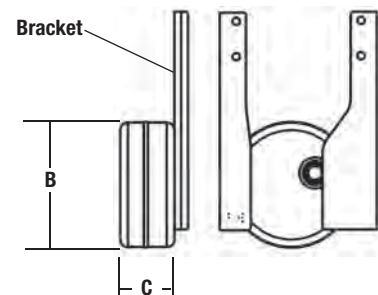


Figure 3

Purge Volume Reservoirs

| Service New Pc. No. | 'B' Dia. | 'C' Length | Volume (Cubic Inches) | Mounting Bracket | Figure | Comments |
|---------------------|----------|------------|-----------------------|------------------|--------|----------------|
| 5009028N | 9" | 6" | 300 | 4 Hole SAE Mtg. | 2 | Extended Purge |
| 5008574 | 9" | 3.9" | 200 | 4 Hole SAE Mtg. | 2 | Standard |
| 5011292 | 9" | 3.9" | 200 | Included | 3 | Standard |

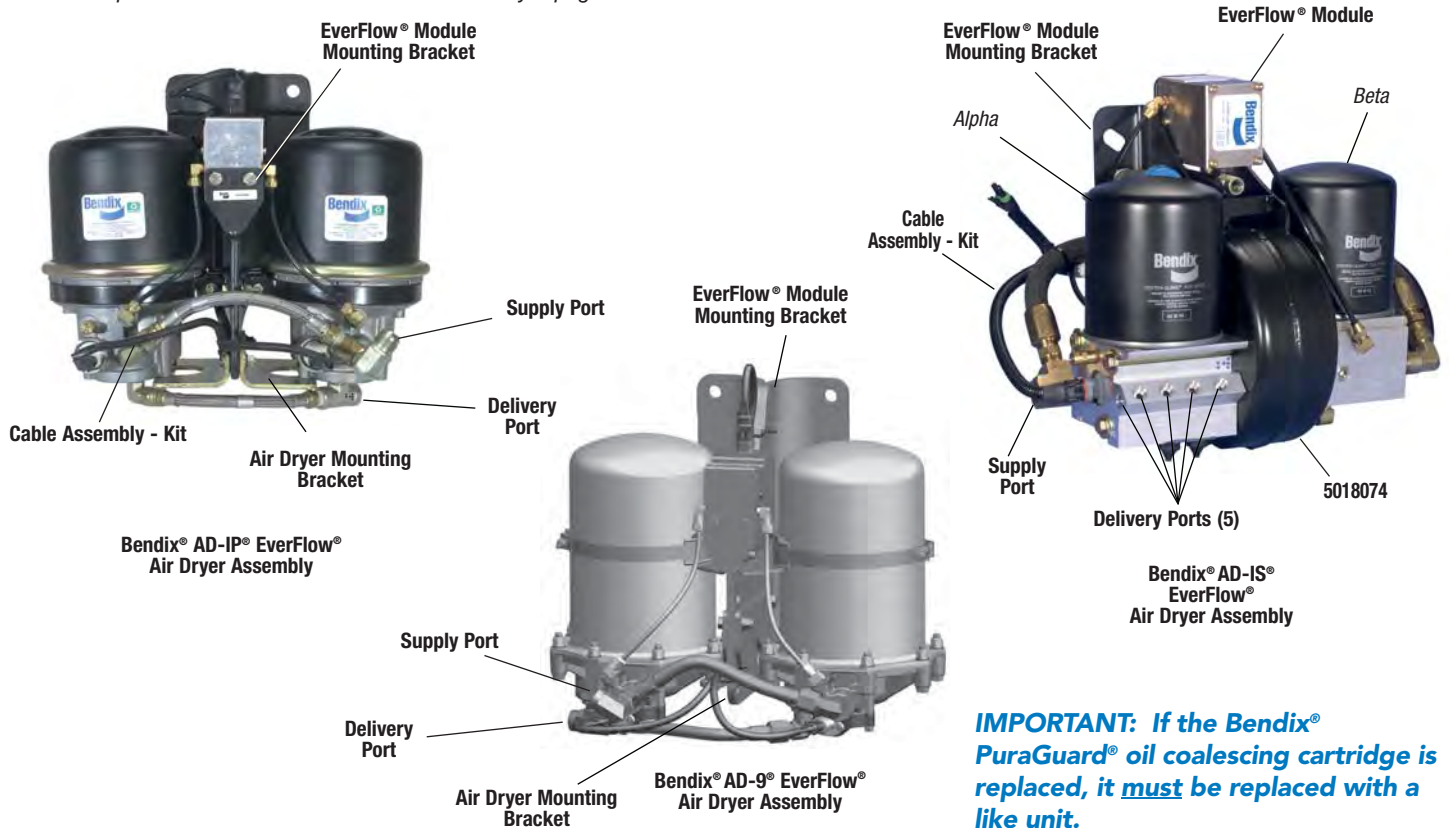
IMPORTANT: If the Bendix® PuraGuard® oil coalescing cartridge is replaced, it must be replaced with a like unit.

Bendix® EverFlow® Module Assembly

i SD-08-2417

| Service New Assembly Pc. No. | Voltage | Air Dryer | | | | Bendix® EverFlow® Module | | | Supply & Delivery Port Location |
|------------------------------|---------|-----------|---------------------|----------------------|------------------|--------------------------|-----------------------|--------------------|---------------------------------|
| | | Type | Service New Pc. No. | Reman. Exch. Pc. No. | Mounting Bracket | Module | Mounting Bracket | Cable Assembly Kit | |
| 801032 | 12 | AD-9® | 065650 | 109689X | 5009610 | 800685 | 5008483 | 5008484 | Shown |
| 801788 | 24 | | 801803 | — | | 800722 | | | |
| 800801 | 12 | AD-IP® | 065693 | 109503X | 5001247 | 800685 | 5008483 | 5008484 | Shown |
| 801288 | 24 | | 065613 | 109478X | | 800722 | | | |
| 802121 | 12 | AD-IS® | 802114 Alpha | DNA | 5017324 | 800685 | Part of Dryer Bracket | 5015949 | Shown |
| 802537 | | | 802115 Beta | | | | | | Opposite |

For model specific service kits see the individual air dryer page.

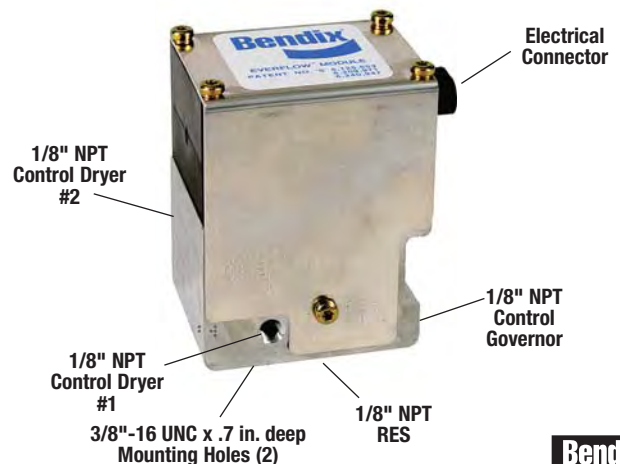


Bendix® EverFlow® Air Dryer Module

i SD-08-2417

| Retrofit Kit* Service New Pc. No. | Service New Pc. No. | Voltage |
|-----------------------------------|---------------------|---------|
| 800684 | 800685 | 12 V |
| 800723 | 800722 | 24 V |

*Includes EverFlow® module & hardware – does not include air dryers.





IMPORTANT: If the Bendix® PuraGuard® oil coalescing cartridge is the OE Standard it must be replaced with a like unit.

| Vehicle Make/ Platform/Model | Engine | Bendix® Air Dryer | Type | Bendix® PuraGuard® Oil Coalescing Cartridge | |
|---------------------------------|-------------------------------|-----------------------------|---------------------|---|----------------|
| | | | | OE Standard | OE Spec Option |
| FREIGHTLINER® | | | | | |
| Thomas Built Bus | Cummins® ISB6.7, ISC8.3, ISL9 | AD-9® Air Dryer | Service New | — | 107796PG |
| | | | Reman | — | 107794PGX |
| | | AD-IP® Air Dryer | Service New | — | 065624PG |
| | | | Reman | — | 109493PGX |
| FCCC | Cummins ISB6.7, ISC8.3, ISL9 | AD-9 Air Dryer | Service New | — | 107796PG |
| | | | Reman | — | 107794PGX |
| Business Class® M2 | Detroit™ DD13®, DD15®, DD16® | AD-IP Air Dryer | Service New | 065624PG | — |
| | | | Reman | 109493PGX | — |
| | | DRM™ Dryer Reservoir Module | Service New | 5008414PG | — |
| | | AD-9si® Air Dryer | DD Service New | 5008414PG | — |
| | Cummins ISB6.7, ISC8.3, ISL9 | AD-IP Air Dryer | Service New | — | 065624PG |
| | | | Reman | — | 109493PGX |
| | | DRM Dryer Reservoir Module | Service New | — | 5008414PG |
| | | AD-9si Air Dryer | Cummins Service New | — | 5008414PG |
| Cascadia® | Detroit DD13, DD15, DD16 | AD-9 Air Dryer | Service New | 107796PG | — |
| | | | Reman | 107794PGX | — |
| | | AD-IP Air Dryer | Service New | 065624PG | — |
| | | | Reman | 109493PGX | — |
| | Cummins® ISX15 | AD-9si Air Dryer | DD Service New | 5008414PG | — |
| | | | AD-9 Air Dryer | Service New | — |
| | | AD-IP Air Dryer | Reman | — | 107794PGX |
| | | | Service New | — | 065624PG |
| | | AD-9si Air Dryer | Reman | — | 109493PGX |
| | | | Cummins Service New | — | 5008414PG |
| Coronado® | Detroit DD13 | AD-SP® Air Dryer | Service New | 5008414PG | — |
| | | | Service New | 107796PG | — |
| | | AD-9 Air Dryer | Reman | 107794PGX | — |
| | | | Service New | 5008414PG | — |
| WESTERN STAR® | | | | | |
| Western Star | Detroit DD13, DD15, DD16 | AD-9 Air Dryer | Service New | 107796PG | — |
| | | | Reman | 107794PGX | — |
| | | AD-IP Air Dryer | Service New | 065624PG | — |
| | | | Reman | 109493PGX | — |
| | DD Tier 3 | AD-9si® Air Dryer | DD Service New | 5008414PG | — |
| | | | AD-9 Air Dryer | Service New | 107796PG |
| | | AD-IP Air Dryer | Reman | 107794PGX | — |
| | | | Service New | 065624PG | — |
| | | AD-9si Air Dryer | Reman | 109493PGX | — |
| | | | DD Service New | 5008414PG | — |



Bendix® PuraGuard® Oil Coalescing Cartridge

Air Dryers 08

IMPORTANT: If the Bendix® PuraGuard® oil coalescing cartridge is the OE Standard it must be replaced with a like unit.

| Vehicle Make/ Platform/Model | Engine | Bendix® Air Dryer | Type | Bendix® PuraGuard® Oil Coalescing Cartridge | |
|--|--------------------------|-------------------------------|---------------------|---|----------------|
| | | | | OE Standard | OE Spec Option |
| WESTERN STAR® (Continued) | | | | | |
| Western Star | Cummins® ISC, ISL, ISX15 | AD-9® Air Dryer | Service New | — | 107796PG |
| | | | Reman | — | 107794PGX |
| | | AD-IP® Air Dryer | Service New | — | 065624PG |
| | | | Reman | — | 109493PGX |
| | | AD-9si® Air Dryer | Cummins Service New | — | 5008414PG |
| MACK® | | | | | |
| Refuse Mack® TerraPro™ | Mack® MP8 | AD-RP™ Air Dryer | Service New | 5008414PG | — |
| CONSTRUCTION Mack® Granite® Series | Mack® MP7, MP8 | AD-9 Air Dryer | Service New | 107796PG | — |
| | | | Reman | 107794PGX | — |
| | | AD-IP Air Dryer | Service New | 065624PG | — |
| | | | Reman | 109493PGX | — |
| HIGHWAY Mack® Pinnacle™ Series | Mack MP7, MP8 | AD-RP Air Dryer | Service New | 5008414PG | — |
| | | | Service New | 107796PG | — |
| | | AD-9 Air Dryer | Reman | 107794PGX | — |
| | | | Service New | 065624PG | — |
| HEAVY HAUL Titan by Mack® | Mack® MP10 | AD-IP Air Dryer | Reman | 109493PGX | — |
| | | | Service New | 107796PG | — |
| | | AD-RP Air Dryer | Service New | 5008414PG | — |
| | | | Reman | 107794PGX | — |
| VOLVO® | Volvo® D11, D13 | AD-9 Air Dryer | Service New | 107796PG | — |
| | | | Reman | 107794PGX | — |
| | | AD-IP Air Dryer | Service New | 065624PG | — |
| | | | Reman | 109493PGX | — |
| VN 780, VN 730, VN 670, VN 630 | Volvo® D11, D13, D16 | AD-RP Air Dryer | Service New | 5008414PG | — |
| VNL 430, VNM / VNL Daycab | Cummins ISX15 | AD-9 Air Dryer | Service New | 107796PG | — |
| | | | Reman | 107794PGX | — |
| | | AD-IP Air Dryer | Service New | 065624PG | — |
| | | | Reman | 109493PGX | — |
| KENWORTH® | | | | | |
| T680, T660, W900, T800, C500 | | AD-IS® EverFlow® Air Dryer | Service New | — | 5008414PG |
| T470, T440, T370, T270, T170, K370 | | AD-SP® Air Dryer | Service New | — | 5008414PG |
| | | AD-IS® Air Dryer | Service New | — | 5008414PG |
| T700 | | AD-IS® EverFlow® Air Dryer | Service New | — | 5008414PG |
| | | AD-IS® Air Dryer | Service New | — | 5008414PG |



IMPORTANT: If the Bendix® PuraGuard® oil coalescing cartridge is the OE Standard it must be replaced with a like unit.

| Vehicle Make/ Platform/Model | Engine | Bendix® Air Dryer | Type | Bendix® PuraGuard® Oil Coalescing Cartridge | |
|---|---|----------------------------|-----------------|---|----------------|
| | | | | OE Standard | OE Spec Option |
| PETERBILT® | | | | | |
| Models 348, 365, 367, 382, 384, 386, 389, 579, 587 | | AD-IS® EverFlow® Air Dryer | Service New | — | 5008414PG |
| | | AD-IP® Air Dryer | Service New | — | 065624PG |
| | | | Reman | — | 109493PGX |
| Models 210, 220, 320, 325, 330, 337 | | AD-IS® Air Dryer | Service New | — | 5008414PG |
| | | AD-IP Air Dryer | Service New | — | 065624PG |
| | | | Reman | — | 109493PGX |
| AD-IS Air Dryer | | Service New | — | 5008414PG | |
| | INTERNATIONAL® | | | | |
| DuraStar® 4000 | MaxxForce® 7/8/9/10/DT | AD-9® Air Dryer | Service New | — | 107796PG |
| | | | Reman | — | 107794PGX |
| | | AD-IP Air Dryer | Service New | — | 065624PG |
| | | | Reman | — | 109493PGX |
| PayStar® 5000 | MaxxForce® 11/13/15 | AD-9 Air Dryer | Service New | — | 107796PG |
| | | | Reman | — | 107794PGX |
| | | AD-IP Air Dryer | Service New | — | 065624PG |
| | | | Reman | — | 109493PGX |
| WorkStar® 7000 | MaxxForce 9/10/11/13/DT | AD-IS® EverFlow® Air Dryer | Service New | — | 5008414PG |
| | | AD-9 Air Dryer | Service New | — | 107796PG |
| | | | Reman | — | 107794PGX |
| | | AD-IP Air Dryer | Service New | — | 065624PG |
| | | | Reman | — | 109493PGX |
| | | TranStar® 8000 | MaxxForce 11/13 | AD-9 Air Dryer | Service New |
| Reman | — | | | | 107794PGX |
| AD-IP Air Dryer | Service New | | | — | 065624PG |
| | Reman | | | — | 109493PGX |
| 9900 Series LoneStar® ProStar® | MaxxForce 11/13/15 | AD-IS Air Dryer | Service New | — | 5008414PG |
| | | AD-IS® EverFlow® Air Dryer | Service New | — | 5008414PG |
| IC BUS™ - CE (Conventional) IC BUS™ - FE (Front Engine) IC BUS™ - RE (Rear Engine) | MaxxForce 7/8/9/10/DT | AD-9 Air Dryer | Service New | — | 107796PG |
| | | | Reman | — | 107794PGX |
| | | AD-IP Air Dryer | Service New | — | 065624PG |
| | | | Reman | — | 109493PGX |
| BD CHASSIS - HC (Blue Diamond) | MaxxForce 7/8/9/10/DT Cummins® ISB 6.71 | AD-9 Air Dryer | Service New | — | 107796PG |
| | | | Reman | — | 107794PGX |
| | | AD-IP Air Dryer | Service New | — | 065624PG |
| | | | Reman | — | 109493PGX |



Bendix® PuraGuard® Oil Coalescing Cartridge piece numbers

| Bendix® Air Dryer | PuraGuard® Service New | PuraGuard® Reman |
|---------------------------------|------------------------|------------------|
| AD-IS®, AD-SP®, AD-RP™, AD-9si® | 5008414PG | — |
| AD-IP® | 065624PG | 109493PGX |
| AD-9® | 107796PG | 107794PGX |

Bendix® PuraGuard® oil coalescing air dryer identification

Current production air dryers with the Bendix® PuraGuard® oil coalescing filter have one, or more, of these identifiers.
(Early production may not include either of these and may only be identified by part number.)

| | |
|---|---|
|  <p>Medallion - located on the top of the air dryer</p> |  <p>Label or imprint - located on the side of the air dryer cartridge</p> |
|---|---|



Bendix® AD-IS®, AD-SP®, AD-RP™ or AD-9si® Air Dryer Cartridge



Bendix® AD-IP® Air Dryer Cartridge

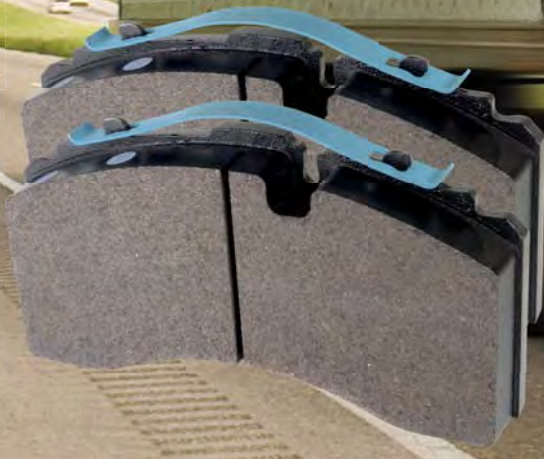


Bendix® AD-9® Air Dryer Cartridge



**Longer stopping distances. Damaged rotors. Voided warranty...
Not what you want from your air disc brake replacement pads.**

Maintain performance, safety, and service life with Bendix® replacement pads. The new BX276 pad fits both tractor and trailer. Or select our new severe duty pad.

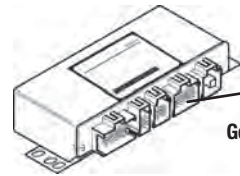


*Need help deciding on the right replacement pad?
Call 1-800-AIR-BRAKE
(1-800-247-2725).*

Bendix® EC-30™ Electronic Controller

i SD-13-4815

EC-30™ ECU



Connectors are black

Gen 4/5 ECU

| Service New Pc. No. | Sensors/ Modulators | Traction Control | J1939 Dash Support | Customers Include (Comments) | Engine Communication |
|---------------------|---------------------|------------------|--------------------|---|----------------------|
| 801167 | 4S/4M | Yes | Yes | International | J1939 |
| 801173 | 6S/4M | Yes | – | International | |
| 801177 | 4S/4M | Yes | Yes | International | |
| 801180 | 6S/4M | Yes | – | Freightliner / Mack | |
| 801199 | 6S/4M | Yes | Yes | GMC | |
| 801202 | 6S/4M | Yes | Yes | GMC | |
| 801227 | 6S/4M | Yes | – | Volvo | |
| 801228 | 6S/4M | Yes | – | – | |
| 801239 | 6S/4M | Yes | – | Mack | |
| 801233 | 6S/4M | Yes | – | Volvo (EC-16™ / EC-17™ ECU Service Replacement) | |
| 801234 | 6S/4M | Yes | – | GMC (86 Tooth Tone Ring - EC-17™ ECU Service Replacement) | |
| 801235 | 6S/4M | Yes | – | GMC (100 Tooth Tone Ring - EC-17™ ECU Service Replacement) | |
| 801236 | 6S/4M | Yes | – | (EC-16™ / EC-17™ ECU Service Replacement) | |
| 801335 | 6S/4M | Yes | – | – | |
| 801205 | 4S/4M | – | – | GMC (100 Tooth Tone Ring) | |
| 801206 | 4S/4M | – | – | GMC (86 Tooth Tone Ring) | |

Gen 4/5 Electronic Control Unit (ECU)

i SD-13-4746

| OE Pc. No. | Service New Pc. No. | Sensors/ Modulators | Traction Control | Engine Communication | Mounting | Comments |
|-----------------|---------------------|---------------------|------------------|---|----------|--------------------------------------|
| 300130 | 801764 | 6S/6M | Yes | J1939 | Frame | 24 Volt |
| 300199 | 801765 | 4S/4M | Yes | J1922 | | – |
| 300208 | 801759 | 4S/4M | Yes | J1939 | | – |
| 300345 | 801755 | 6S/6M | Yes | | | Configured as 6S/4M ABS ¹ |
| 300367 | 801756 | 4S/4M | Yes | | | – |
| 300368, 5012926 | 801758 | 6S/6M | Yes | | | Configured as 6S/4M ABS ¹ |
| 5012608 | 801762 | 4S/4M | – | No | – | |
| 300222 | 300222N | 4S/4M | – | | – | |
| 300342 | 801752 | | – | | – | |
| 300344, 5006806 | 801753 | 6S/6M | Yes | | J1939 | Configured as 6S/4M ABS ¹ |
| 5012582 | 801754 | 6S/6M | Yes | Use for a 6 x 2 vehicle with a tag axle | | |

¹ ECU reconfiguration required for 6S/6M and/or Traction Control. The following tools can be used for reconfiguration: Bendix® ACom® Diagnostic Software (free download available from bendix.com), or Nexiq™ Pro-Link iQ™ application card (Nexiq p/n 804001).

NOTE: Gen 4/5 ECUs were formerly marketed under the Eaton® brand name.

Bendix® EC-60™ Advanced Cab ECU

All shown have traction control and communicate over J1587 and J1939.

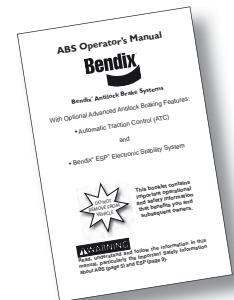
i SD-13-4863



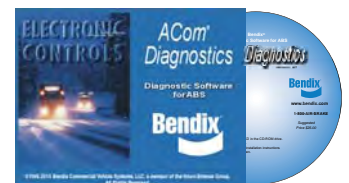
**Bendix® EC-60™
Advanced**

| Customer | OE Pc. No. | Service New Pc. No. | Stability Configuration | Sensors/ Modulators | Supply Voltage | PLC |
|---------------|------------|---------------------|------------------------------------|---------------------|----------------|-----|
| Volvo, Mack | 802780 | K094249* | | | | |
| | 5018531 | | | | | |
| | K022161 | | | | | |
| | K031692 | | | | | |
| | K040157 | | | | | |
| | K070746 | | | | | |
| | K094246 | | | | | |
| — | 801905 | | Electronic Stability Program (ESP) | | | |
| | 803082 | | | | | |
| | 5012231 | | | | | |
| | 5019416 | | | | | |
| | K023054 | | | | | |
| | K038368 | | | | | |
| | K039393 | | | | | |
| International | 803146 | K060080 | | 4S/4M | 12 | Yes |
| | 5016144 | | | | | |
| | 5020080 | | | | | |
| | K033963 | | | | | |
| | K033964 | | | | | |
| | K034014 | | | | | |
| PACCAR | K021136 | | | | | |
| | K021415 | | | | | |
| | K021416 | | | | | |
| | K024560 | | | | | |
| | K025766 | | | | | |
| | K025780 | | | | | |
| International | 802054 | K065143 | Roll Stability Program (RSP) | | | |
| | 803147 | | | | | |
| | 5015578 | | | | | |
| | 5020081 | | | | | |
| | K033968 | | | | | |
| | K033969 | | | | | |
| | K034015 | | | | | |
| | K040121 | | | | | |
| K041711 | | | | | | |

IMPORTANT
The vehicle VIN number must be specified when ordering Bendix® EC-60™ Advanced ECUs, since the ECU is individually configured for the vehicle.



Bendix® Antilock Brake Systems Operator's Manual BW2489 (ESP) and BW2499 (RSP) are available on bendix.com



Bendix® ACom® Diagnostic Software visit bendix.com

*Aftermarket part number K094249 for Volvo & Mack ESP configured vehicles is only available through a Volvo or Mack dealer.

Note: It is recommended that the part number being replaced is verified and cross-referenced to the aftermarket replacement number from the part itself or read back through the OEM's service tool or Bendix® ACom® diagnostics.

Bendix® EC-60™ Standard Cab ECU

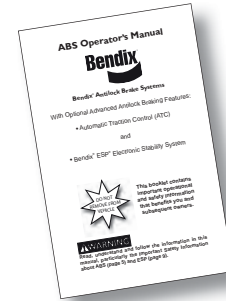
All shown communicate over J1587 and J1939

i SD-13-4863

| Customer | OE Pc. No. | Service New Pc. No. | Sensors/ Modulators | Supply Voltage | PLC | Notes | | | | |
|---------------|------------|---------------------|---------------------|----------------|-----|--|-------|----|-----|---------------------------------|
| — | 801876 | K058637 | 4S/4M | 12 | Yes | | | | | |
| | 801877 | | | | | | | | | |
| | 5012226 | | | | | | | | | |
| | K038358 | | | | | | | | | |
| | K038360 | | | | | | | | | |
| | K039381 | | | | | | | | | |
| PACCAR | K021134 | | | | | | | | | |
| | K021414 | | | | | | | | | |
| | K041767 | | | | | | | | | |
| International | 802130 | K065137 | | | | | 4S/4M | 12 | Yes | PLC operation for International |
| | 5016139 | | | | | | | | | |
| | K040114 | | | | | | | | | |
| | K041718 | | | | | | | | | |
| International | 802136 | K065135 | 4S/4M | 12 | Yes | Configured for J1939 control of ABS warning lamp | | | | |
| | 802325 | | | | | | | | | |
| | 5016145 | | | | | | | | | |
| | 5016357 | | | | | | | | | |
| | K020367 | | | | | | | | | |
| | K020368 | | | | | | | | | |
| | K020833 | | | | | | | | | |
| | K020834 | | | | | | | | | |
| | K040115 | | | | | | | | | |
| | K040116 | | | | | | | | | |
| K041720 | | | | | | | | | | |



Bendix® EC-60™ ECU Standard (Cab)



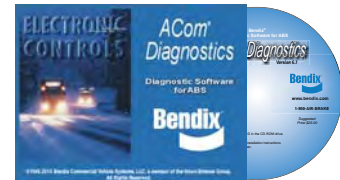
Bendix® Antilock Brake Systems Operator's Manual BW2489 (ESP) and BW2499 (RSP) are available on bendix.com

Bendix® EC-60™ Standard Frame ECU

All shown communicate over J1587 and J1939

i SD-13-4863

| Customer | OE Pc. No. | Service New Pc. No. | Sensors/ Modulators | Supply Voltage | PLC | Notes | | | | |
|---------------|------------|---------------------|---------------------|----------------|-----|---|-------|----|-----|---------------------------------|
| — | 801879 | K058645 | 4S/4M | 12 | Yes | | | | | |
| | 802131 | | | | | | | | | |
| | 5012228 | | | | | | | | | |
| | 5016140 | | | | | | | | | |
| | 5020281 | | | | | | | | | |
| | K020841 | | | | | | | | | |
| | K038362 | | | | | | | | | |
| | K038363 | | | | | | | | | |
| | K039532 | | | | | | | | | |
| | K040077 | | | | | | | | | |
| International | 802132 | K065141 | | | | | 4S/4M | 12 | Yes | PLC operation for International |
| | 5016141 | | | | | | | | | |
| | K020369 | | | | | | | | | |
| | K041714 | | | | | | | | | |
| | K020832 | | | | | | | | | |
| GM | 5015991 | 802831 | 4S/4M | 12 | No | Includes mounting bracket; retarder disable via relay | | | | |
| | 5018131 | 802833 | | | | | | | | |



Bendix® ACom® Diagnostic Software visit bendix.com



Bendix® EC-60™ ECU Standard (Frame) Service Replacement Cover 300271

Note: It is recommended that the part number being replaced is verified and cross-referenced to the aftermarket replacement number from the part itself or read back through the OEM's service tool or Bendix® ACom® diagnostics.

Bendix® EC-60™ Premium Cab ECU

All shown are traction control capable and communicate over J1587 and J1939.

i SD-13-4863



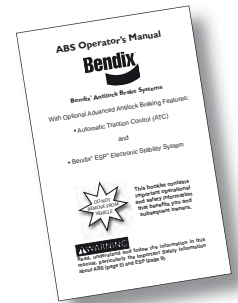
Bendix® EC-60™ Premium (Cab)

Notes:

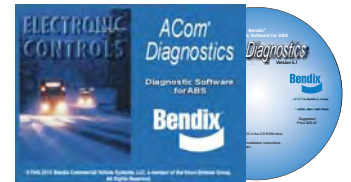
- It is recommended that the part number being replaced is verified and cross-referenced to the aftermarket replacement number from the part itself or read back through the OEM's service tool or Bendix® ACom® diagnostics.

- Premium ECUs may be modified by the OEMs during installation. The part may require re-configuration using the OEM's service tool or Bendix® ACom® diagnostics.

| Customer | OE Pc. No. | Service New Pc. No. | Sensors/ Modulators | Supply Voltage | PLC | Notes |
|---------------|------------|---------------------|---------------------|----------------|-----|---|
| - | 801880 | K058703 | 4S/4M | 12 | Yes | |
| | 803167 | | | | | |
| | 5012229 | | | | | |
| | 5013147 | | | | | |
| | 5013148 | | | | | |
| | 5020000 | | | | | |
| | K039698 | | | | | |
| PACCAR | K021135 | K060104 | 4S/4M | 12 | Yes | Configured to receive J1939 signals for ABS and ATC switches from PACCAR vehicles |
| | K021412 | | | | | |
| | K041761 | | | | | |
| | K041775 | | | | | |
| | K048751 | | | | | |
| International | 802133 | K065134 | 4S/4M | 12 | Yes | Configured for J1939 control of ABS warning lamp |
| | 803168 | | | | | |
| | 5016142 | | | | | |
| | 5020001 | | | | | |
| | K040117 | | | | | |
| | K041721 | | | | | |
| | 802324 | K065133 | | | | PLC operation for International |
| | 5016356 | | | | | |
| | K022285 | | | | | |
| | K022568 | | | | | |
| K040118 | | | | | | |
| K041722 | | | | | | |
| Volvo, Mack | 802781 | K060325 | 4S/4M | 12 | Yes | J1939 and J1587 messages configured per Volvo/Mack requirements |
| | 5018530 | | | | | |
| | 5018581 | | | | | |
| | K019671 | | | | | |
| | K034397 | | | | | |
| K034569 | | | | | | |
| - | 801882 | K058704 | 4S/4M | 24 | No | |
| | 5012251 | | | | | |
| | K038365 | | | | | |
| | K039712 | | | | | |



Bendix® Antilock Brake Systems Operator's Manual BW2489 (ESP) and BW2499 (RSP) are available on bendix.com



Bendix® ACom® Diagnostic Software visit bendix.com

Bendix® EC-60™ Premium Frame ECU

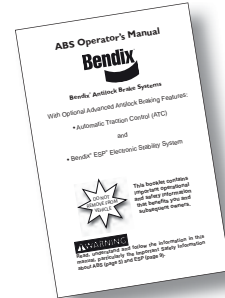
All shown have traction control and communicate over J1587 and J1939.

[SD-13-4863](#)

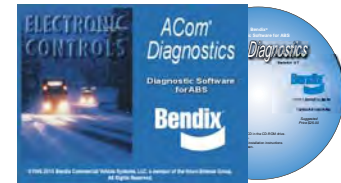


Bendix® EC-60™ Premium (Frame)

| Customer | OE Pc. No. | Service New Pc. No. | Sensors/ Modulators | Supply Voltage | PLC | Notes |
|---------------|------------|---------------------|---------------------|----------------|-----|---------------------------------|
| — | 801881 | K058712 | 4S/4M | 12 | Yes | |
| | 5012230 | | | | | |
| | 5013149 | | | | | |
| | 5013150 | | | | | |
| | 5020008 | | | | | |
| | K019237 | | | | | |
| | K038366 | | | | | |
| | K039622 | | | | | |
| International | 802134 | K065140 | | | | PLC operation for International |
| | 5016143 | | | | | |
| | K020822 | | | | | |
| | K041715 | | | | | |
| | K020823 | | | | | |
| | K040079 | | | | | |
| Oshkosh | K038367 | K058714 | 6S/4M | 24 | No | |
| | K058714 | | | | | |



Bendix® Antilock Brake Systems Operator's Manual BW2489 (ESP) and BW2499 (RSP) are available on bendix.com



Bendix® ACom® Diagnostic Software visit bendix.com

Bendix® eTrac™ Automated Air Pressure Transfer System

Automated air bag transfer system.

[SD-13-21021](#)

| Bendix® eTrac™ Contents | |
|-------------------------|-------------------------------|
| Service Pc. No. | Bendix® Component |
| — | Bendix ABS Controller |
| K082319 | FCS-9700™ Solenoid Valve |
| K035170 | R-12° Relay Valve |
| K082298 | RV-3™ Pressure Reducing Valve |
| 101845 | RV-3™ Pressure Reducing Valve |
| 278614 | Double Check Valve |

R-12° Relay Valve



Bendix® brand ABS controller (Premium or Advanced EC-60 designation or later)



RV-3™ Pressure Reducing Valve



Bendix® DC-4° Double Check Valve



RV-3™ Pressure Reducing Valve



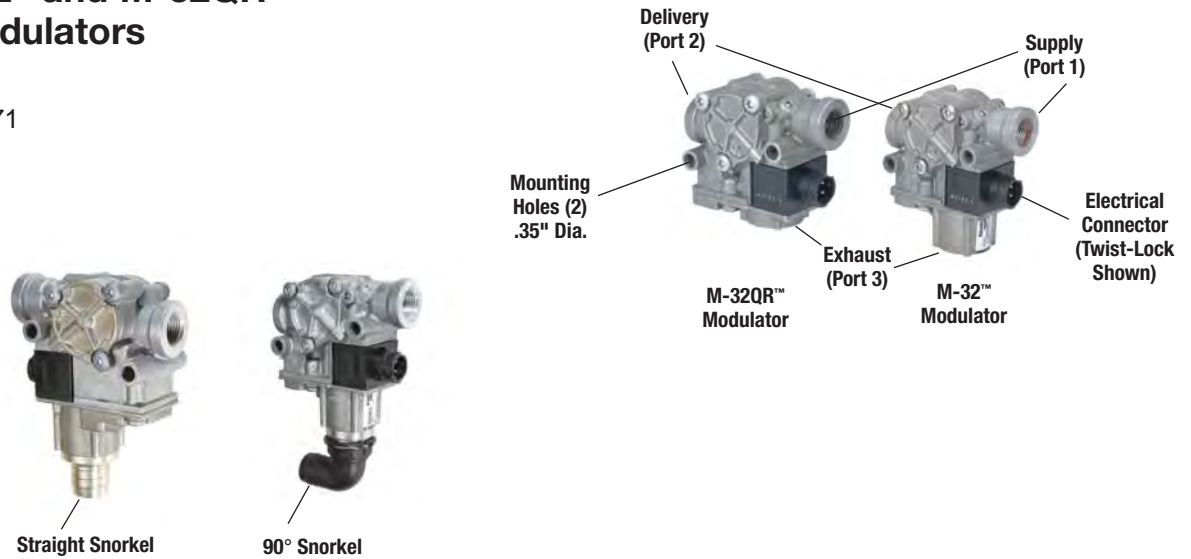
FCS-9700™ Solenoid Valve



Bendix® M-32™ and M-32QR™ AntiLock Modulators

V.M.R.S. 13-011-071

i SD-13-4870



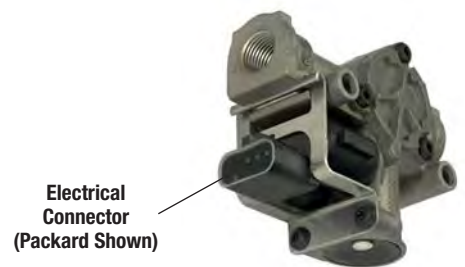
| OE Pc. No. | Service New Pc. No. | Description | Exhaust Adapter | Supply Port | Delivery Port | Electrical Connector Type | Supply Voltage | Customers Include |
|------------|---------------------|-------------------|------------------|-------------|---------------|---------------------------|----------------|--------------------------------------|
| 300387 | 801665 | M-32™ Modulator | - | 1/2" NPT | 1/2" NPT | Twist-Lock | 12 | Volvo®, Mack®, Peterbilt®, Kenworth® |
| 5014706 | 801585 | | - | 1/2" NPT | 1/2" NPT | Packard | | International® |
| 5016334 | 801456 | | - | 5/8" PTC | 1/2" STC | | | GM® |
| 5013223 | 801736 | | Straight snorkel | 1/2" NPT | 1/2" NPT | Metric Thread | 24 | Oshkosh® |
| 5013224 | 801737 | | 90° snorkel | | | Twist-Lock | | - |
| 5015514 | 802697 | | - | - | - | - | - | - |
| 5012961 | 801583 | M-32QR™ Modulator | - | 1/2" NPT | 1/2" PTC | Packard | 12 | GM |
| 5016344 | 801457 | | - | 1/2" NPT | 1/2" STC | | | International |
| 5014705 | 801481 | | - | 1/2" NPT | 1/2" NPT | | | Blue Bird® |
| 5014704 | 801479 | | - | 1/2" PTC | 1/2" PTC | - | | |
| 5011281 | 801482 | | - | 1/2" NPT | 1/2" NPT | Twist-Lock | - | |
| 5019258 | 802888 | | - | | 1/2" PTC | | | |

PTC = Push-To-Connect NPT = Pipe Thread STC = Snap-to-Connect

Bendix® M-30™ to M-32™ and M-32QR™ AntiLock Modulator Changeover

- M-30™ antilock modulators are no longer available. M-32™ and M-32QR™ modulators are available for service.
- When replacing the M-30 modulators on the steer axle, replace both with M-32 modulators.

| M-30™ Pc. No. | M-32™ Service New Pc. No. | M-30™ Pc. No. | M-32™ Service New Pc. No. |
|---------------|---------------------------|---------------|---------------------------|
| 5005894 | 801481 | 5009304 | 801481 |
| 5005895 | 801479 | 5009305 | 801583 |
| 5006659 | 801481 | 5009306 | 801583 |
| 5008951 | 801481 | 5009308 | 801457 |
| 5009085 | 801456 | 5009309 | 801457 |
| 5009086 | 801456 | | |

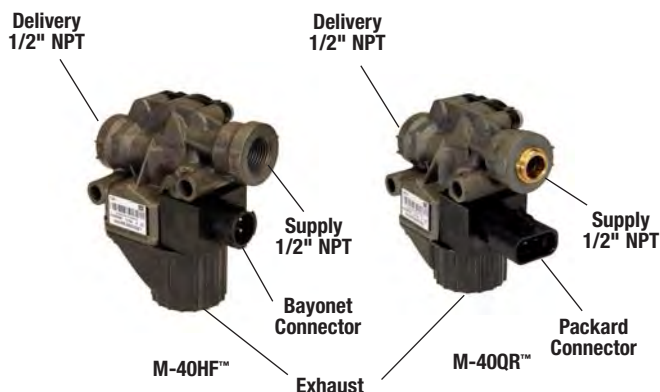


Bendix® M-30™ Modulator (Superseded by the M-32™ and M-32QR™ modulators)

Bendix® M-40™ AntiLock Modulators

V.M.R.S. 13-011-071

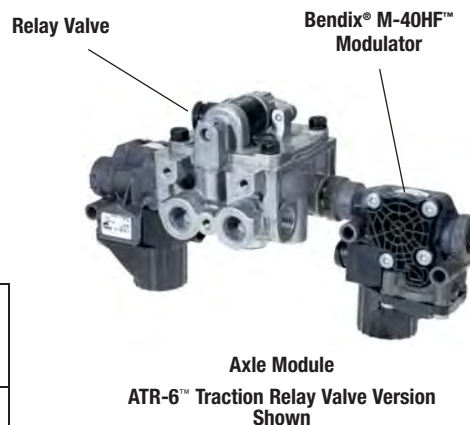
i SD-13-4958



| Reman. Exchange Pc. No. | Modulator Type | Exhaust Adapter | Supply Port | Delivery Port | Electrical Connector Type | Supply Voltage |
|-------------------------|----------------|------------------|-------------|---------------|---------------------------|----------------|
| K079666X | M-40HF™ | — | 1/2" NPT | 1/2" NPT | Packard | 12V |
| K079681X | | Silencer Adapter | | | Twist-Lock | |
| K079665X | | — | | | | 24V |
| K079678X | | Silencer Adapter | | | | |
| K079672X | | — | | | | |
| K079677X | | Silencer Adapter | | | | |
| K079670X | M-40QR™ | — | 1/2" NPT | 1/2" NPT | Packard | 12V |
| K079676X | | Silencer Adapter | | | | |
| K079671X | | — | 1/2" PTC | 1/2" PTC | Twist-Lock | 24V |
| K079683X | | Silencer Adapter | | | | |
| K079664X | | — | 1/2" NPT | 1/2" NPT | | |
| K107922X | | Silencer Adapter | | | | |

Axle Modules

Axle Module service assemblies are not available as a complete assembly. Service with individual components as needed.



| OE Axle Module Pc. No. | Service Replacement Valve (Relay, Quick Release or Traction Relay) | | Bendix® M-40HF™ Modulator Pc. No. |
|------------------------|--|---|-----------------------------------|
| | Pc. No. | Description | |
| K105561 | K078420 | Bendix® ATR-6™ Traction Relay Valve (5.5 psi) | K079665 |
| K105562 | | | |
| K105563 | 803116 | Bendix® R-12® Relay Valve (5.5 psi) | |
| K105761 | 803115 | | |
| K105762 | | | |
| K105766 | K070951 | ATR-6 Traction Relay Valve (5.5 psi) | |
| K105770 | K078219 | ATR-6 Traction Relay Valve (4.0 psi) | |
| K105771 | 803117 | | |

Axle Modules

Axle Module service assemblies are not available as a complete assembly. Service with individual components as needed.

| OE Axle Module Pc. No. | Figure No. | Service Replacement Valve (Relay, Quick Release or Traction Relay) | | Bendix® M-32™ Modulator Service Replacement Pc. No. (Typically 2 are required) | | |
|------------------------|------------|--|-------------------------------------|--|---------|---|
| | | Pc. No. | Description | | | |
| 5015283 | 1 | 801629 | Bendix® R-14® Relay Valve (4.0 psi) | 801665 | | |
| 5017276 | | 803115 | Bendix® R-12® Relay Valve (5.5 psi) | | | |
| 5011782 | | | | | | |
| 5017071 | | | | | | |
| 5011740 | | | | | K070951 | Bendix® ATR-3™ Traction Relay Valve (5.5 psi) |
| 5020024 | | | | | K070951 | Bendix® ATR-6™ Traction Relay Valve (5.5 psi) |
| K034765 | | | | | | |
| K034767 | | | | | | |
| K034768 | | | | | | |
| K034778 | | | | | K078219 | ATR-6™ Traction Relay Valve (4.0 psi) |
| 5020567 | K070953 | | | ATR-6™ Traction Relay Valve (5.5 psi) | | |
| 5015631 | Not shown | n/a | n/a | 802888 | | |
| 5019619 | 2 | 229859N | QR-1® Quick Release Valve | 802697 | | |

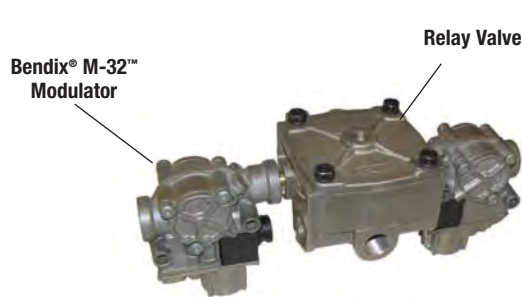


Figure 1
Axle Module
R-12° Relay Valve Version Shown
 (R-14®, ATR-3™ and ATR-6™ are similar)

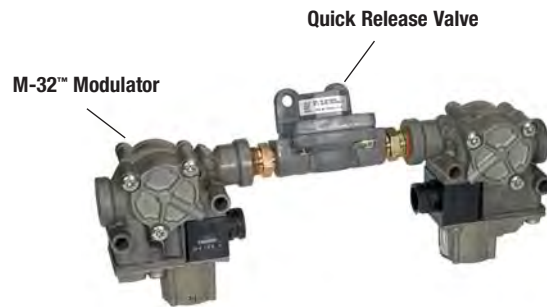
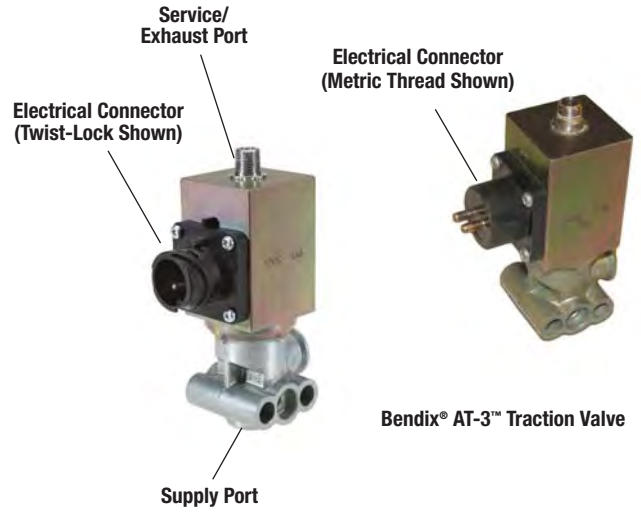


Figure 2
Axle Module
Quick Release Valve Version

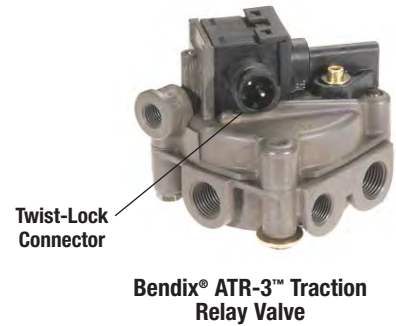
Bendix® AT-3™ Traction Valves

| OE Pc. No. | Service Replacement Valve | | Supply Voltage | Customers |
|------------|---------------------------|----------------------|----------------|--------------------------------------|
| | Pc. No. | Electrical Connector | | |
| 300128 | 801936 | Metric Thread | 24 | Oshkosh® |
| 300354 | 801931 | Twist-Lock | 12 | Mack®, Volvo®, Kenworth®, Peterbilt® |
| K025064 | | | | Navistar® |
| K036918 | K037085 | | 24 | — |



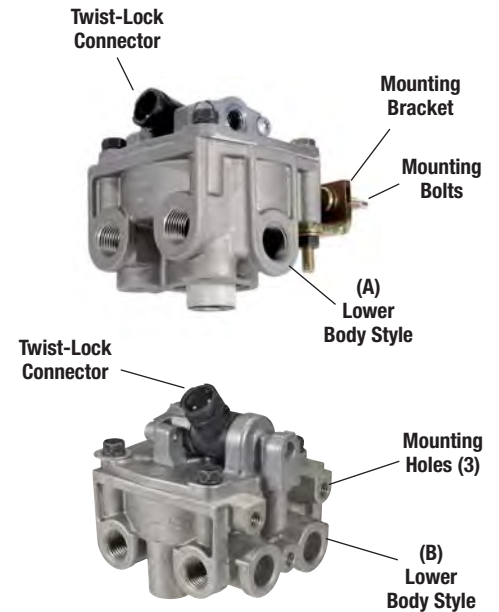
Bendix® ATR-3™ Traction Relay Valve

| ATR-3™ OE Pc. No. | ATR-3™ Service New Pc. No. | ATR-6™ Service New Pc. No. | Crack Pressure PSI | Supply Voltage | Customers |
|-------------------|----------------------------|----------------------------|--------------------|----------------|-----------|
| 5014494 | — | K078219 | 4.0 | 12V | |
| 5014497 | — | K070974 | | | Volvo® |
| 5018362 | 802749 | — | | | Volvo |
| 300317 | — | K070951 | 5.5 | 24V | |
| 5014495 | — | K070954 | | | |
| 5015755 | — | K070954 | | | Kenworth® |
| K002569 | K019736 | — | 4.0 | 24V | |



Bendix® ATR-6™ Traction Relay Valve

| OE Pc. No. | Service New Pc. No. | Crack Pressure PSI | Exhaust Port | Lower Body Style | Mounting Bracket Included | Supply Voltage | Customers |
|------------|---------------------|--------------------|--------------|------------------|---------------------------|----------------|-----------|
| 5020201 | K078219 | 4.0 | — | B | No | 12V | Volvo® |
| K070684 | | | — | | Yes | | |
| 5019764 | K072293 | | — | | | | A |
| K040733 | K070965 | | 1/2-14 NPT | No | | | |
| K041063 | K070964 | | Silencer | | Yes | | |
| K025600 | K070962 | | — | B | | | No |
| K035538 | | A | Yes | | | | |
| K070693 | | | | B | No | | |
| K070695 | | B | Yes | | | | |
| 5020205 | K070951 | | | 5.5 | — | B | No |
| K033317 | K070954 | 5.5 | — | B | Yes | | |
| K033319 | | | | | | | |



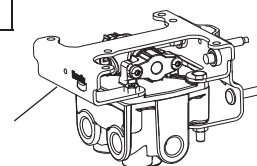
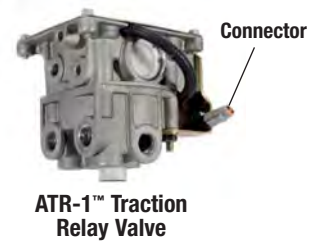
Bendix® ATR-6™ Traction Relay Valve



Bendix® ATR-1™ to ATR-6™ Traction Relay Valve Changeover

• ATR-1™ traction relay valves are no longer available. The ATR-6™ traction relay valves and retrofit kits are available for service.

| ATR-1™ Valve Pc. No. | ATR-6™ Valve Service New Pc. No.* | Crack Pressure PSI | Mounting Bracket | ATR-1™ Valve Connector Type | Harness Service Pc. No. | Supply Voltage |
|----------------------|-----------------------------------|--------------------|------------------|-----------------------------|-------------------------|----------------|
| 065516 | K072345 | 4.0 | See Bracket A | DT04-2P | K032114 | 12V |
| 800030 | K072339 | | 5/16" x 1.35" | | | |
| 5003921 | | | 5/16" x 1.35" | DTM06-2S-E007 | K032115 | |
| 800818 | K072311 | | 5/16" x 1.35" | | | |
| 5008259 | | | 801127 | M8 x .95" | | |
| 5009773 | K072318 | | | | | |



*All the ATR-6™ traction relay valves have a twist-lock connector type; the replacement part numbers include a harness adapter.

Bendix® MC-30™ Trailer ABS Modules

- The MC-30™ Trailer ABS Modules are no longer available.
- Bendix® TABS-6™ kits are available for service.

i [SD-13-4834](#)

See PNU-161 for MC-30 module piece numbers.



**Bendix® MC-30™
Trailer ABS**

| Pigtail Length | Bendix® TABS-6™ Service Replacement Pc. Nos. (Includes Harnesses) | | | | |
|----------------|--|---------------|--------------|---------------|---------------|
| | 2S/1M - Axle | 2S/1M - Dolly | 2S/2M - Side | 4S/2M - Side* | 4S/2M - Axle* |
| 60" | 802893 | 802951 | K060601 | K060602 | K061025 |
| 234" | 802902 | — | K061023 | K061024 | K061026 |

*For 4S/2M (4 sensor / 2 modulator) systems, to determine if the ABS assembly is used to control an "axle-control" or "side-control" system, trace the delivery hoses from one of the modulators to see if the actuators controlled are on the same side of the vehicle (a 4S/2M side system), or at both ends of an axle (4S/2M axle system).



**Bendix® TABS-6™
Trailer ABS**

Bendix® A-18™ Trailer ABS Modules

- The A-18™ Trailer ABS Modules are no longer available.
- Bendix® TABS-6™ kits are available for service.

i [SD-13-4757](#)

See PNU-109 for additional A-18 module piece numbers.



**Bendix® A-18™
Trailer ABS**

| Pigtail Length | Bendix® TABS-6™ Service Replacement Pc. Nos. (Includes Harnesses) | | |
|----------------|--|--------------|--------------|
| | 2S/1M - Axle | 2S/2M - Side | 4S/2M - Side |
| 60" | K019708 | K019709 | K019710 |
| 234" | K019711 | K019712 | K019713 |



**Bendix® TABS-6™
Trailer ABS**

Bendix® MC-12™ Trailer ABS Modules

- The MC-12™ Trailer ABS Modules are no longer available. Bendix® TABS-6™ kits are available for service.
- The MC-12 was only available in 2S/1M configurations.

i [SD-13-4762](#)

See PNU-110 for MC-12 module piece numbers.



**Bendix® MC-12™
Trailer ABS**

| Description | Bendix® TABS-6™ Service Replacement Pc. Nos. (Includes Harnesses) | | | | |
|------------------------------------|--|-----------------------------------|----------------------------------|----------------------------------|-----------------------------------|
| | With 60" 5-pin ABS Pigtail | With 234" 5-pin ABS Pigtail | With 18" 4-pin ABS Pigtail | With 96" 4-pin ABS Pigtail | With 180" 3-pin ABS Pigtail |
| MC-12 ABS Assembly for Trailers | 802893 | 802902 | 802900 | 802898 | 802896 |
| MCE-12 ABS Assembly for Dollies | 802894 | 802901 | 802899 | 802897 | 802895 |



**Bendix® TABS-6™
Trailer ABS**

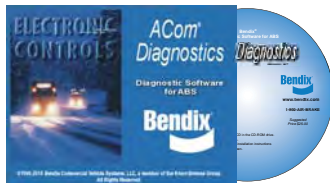
Bendix® EC-80™ ABS, ATC and ESP® Controllers

i SD-13-4983 (ABS and ATC Controllers)

i SD-13-4983 (ESP Controller)

| Type of ECU | Image | Bendix Part Number | OE | OE Part Number | Reman ECU Part Number | |
|--------------------------------|-------|--------------------|------------|----------------|-----------------------|--|
| | | | | | Standard | 6x2 tractors without Bendix® eTrac™ System |
| Bendix® ABS EC-80™ Controller | | K097435R000 | Blue Bird® | 10036250 | K114398N000X | - |
| | | K105299R000 | Mack® | 22362086 | K115125N000X | |
| | | K105300R000 | | 22362088 | K115125N000X | |
| | | K103425R000 | Navistar® | 4045848C1 | K115809N000X | |
| | | K103426R000 | | 4045849C1 | K115809N000X | |
| | | K098915R000 | PACCAR® | Q27-6073-101 | K114398N000X | |
| | | K105299R000 | Volvo® | 22362086 | K115125N000X | |
| | | K105300R000 | | 22362088 | K115125N000X | |
| Bendix® ATC EC-80™ Controller | | K070253R000 | Blue Bird | 10036251 | K114399N000X | - |
| | | K105302R000 | Mack | 22362261 | K115126N000X | |
| | | K103427R000 | Navistar | 4045850C1 | K115811N000X | |
| | | K103474R000 | | 4045851C1 | K115810N000X | |
| | | K098916R000 | PACCAR | Q27-6073-201 | K114425N000X | K114427N000X |
| | | K098917R000 | | Q27-6073-202 | K114426N000X | K114428N000X |
| | | K098918R000 | | Q27-6073-203 | K114401N000X | - |
| | | K098919R000 | | Q27-6073-204 | K114402N000X | |
| | | K105302R000 | Volvo | 22362261 | K115126N000X | |
| Bendix® ESP® EC-80™ Controller | | K105303R000 | Mack | 22362264 | K115127N000X | - |
| | | K103428R000 | Navistar | 4045852C1 | K119760N00X | |
| | | K103429R000 | | 4045853C1 | K114403N000X | |
| | | K105094R000 | PACCAR | Q27-6073-305 | K114403N000X | |
| | | K105095R000 | | Q27-6073-306 | K114404N000X | |
| | | K105096R000 | | Q27-6073-307 | K114405N000X | |
| | | K105097R000 | | Q27-6073-308 | K114406N000X | |
| | | K105303R000 | Volvo | 22362264 | K115127N000X | |

Note: Remanufactured Bendix® ESP® EC-80™ Controllers are made-to-order and only available through an authorized dealer. The vehicle VIN is required in order to properly process the order. These parts cannot be stocked, direct ship only.



Bendix® ACom® Diagnostic Software
visit bendix.com



K101596N001
The previous versions (Pc. Nos. 801869 and K101596) do not support this family of devices.



YOU DIDN'T HAVE TO SETTLE FOR A KNOCKOFF PART.

You could've used genuine Bendix® parts. When you buy knockoff parts without the genuine Bendix name and logo, you're taking serious risks. And a breakdown like this is far from a worst-case scenario. Genuine Bendix parts are rigorously tested and backed by the best warranties and customer service in the business. Our parts are the industry standard for active safety and braking system technologies. From air compressors to air dryers and valves, from wheel-end solutions to electronics and energy management systems, North America's leading OE manufacturers choose genuine Bendix products. So don't be fooled by risky knockoffs and look-alikes. They can deliver poor performance, lead to breakdowns, and compromise safety. Demand genuine Bendix parts. You can't afford anything less.



1-800-AIR-BRAKE
bendix.com

Bendix® TABS-6™ Trailer ABS Module

• All TABS-6™ Trailer ABS Modules communicate over PLC and have a 4 port relay.

[SD-13-4767](#)



Bendix® TABS-6™ Trailer ABS

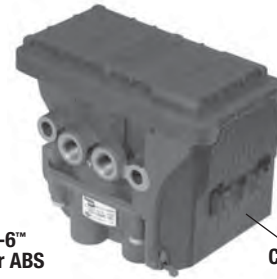
| OE Pc. No. | Service New Pc. No. | Crack Pressure | Default Configuration | Auto-Configurable To: | J1587 Direct Wires Available |
|------------|---------------------|----------------|-----------------------|---|------------------------------|
| 5014015 | K109808 | 4.5 psi | 2S/1M | None | No |
| K109807 | | | | 4S/2M - Axle | Yes |
| 5014113 | 801991 | 3.0 psi | | | None |
| K107308 | K108566 | 4.5 psi | | | |
| 5014112 | K109812 | 4.5 psi | 2S/1M - Dolly | None | No |
| K109809 | | | | 2S/2M - Side; 4S/2M - Side; 4S/3M - Side/Axle | Yes |
| 5014016 | 801856 | 3.0 psi | | | |
| K091055 | K108565 | 4.5 psi | | | |

Bendix® TABS-6™ Advanced Trailer ABS with Stability Control Module

• User is required to verify proper configuration with Bendix and perform installation test using ACom® diagnostic software.

• All TABS-6™ Advanced modules are 2S/1M; have a 4 port relay and may be nipple mounted to a reservoir.

[SD-13-47671](#)



Bendix® TABS-6™ Advanced Trailer ABS

Cover Pc. No. 802028

| OE Pc. No. | Service New Pc. No. | Description | Default Configuration | | | | | PLC | CAN Available |
|------------|---------------------|------------------|-----------------------|--------------------------------|------------------------|----------------------|-----------------------|-----|---------------|
| | | | Axle Spacing (inches) | Mounting Orientation (degrees) | Offset (inches) - side | Air Suspension Empty | Air Suspension Loaded | | |
| K029053 | K029141 | TABS-6™ Advanced | 49" | 270° | 10" curb | 13 psi @ 8k | 82 psi @ 34k | Yes | Yes |
| K041383 | K041385 | TABS-6 Advanced | 49" | 90° | 0" | 14 psi @ 9k | 83 psi @ 34k | | |
| K027233 | K028577 | TABS-6 Advanced | 49" | 270° | 10" curb | 11 psi @ 8k | 69 psi @ 34k | | |

Bendix® TABS-6™ Advanced Multi-Channel Trailer ABS with Stability Control Module

• User is required to verify proper configuration with Bendix and perform installation test using ACom® diagnostic software.

• All TABS-6™ Advanced Multi-Channel modules have 6 delivery ports and must be frame mounted.

[SD-13-47672](#)

Cover Pc. No. K048189



Bendix® TABS-6™ Advanced Multi-Channel Trailer ABS

| OE Pc. No. | Service New Pc. No. | Description | Configuration | Default Configuration | | | | | PLC | CAN Available |
|------------|---------------------|---------------------|---------------|-----------------------|--------------------------------|------------------------|----------------------|-----------------------|-----|---------------|
| | | | | Axle Spacing (inches) | Mounting Orientation (degrees) | Offset - side (inches) | Air Suspension Empty | Air Suspension Loaded | | |
| K026500 | K028522 | TABS-6™ Advanced MC | 4S/2M - Side | 49" | 0° | 0" | 9 psi @ 7k | 70 psi @ 34k | Yes | Yes |
| K028920 | K028974 | TABS-6 Advanced MC | 4S/2M - Side | 121" | 0° | 0" | 9 psi @ 7k | 82 psi @ 40k | | |

Bendix® BR9235™ ABS Modulator/Relay Valve

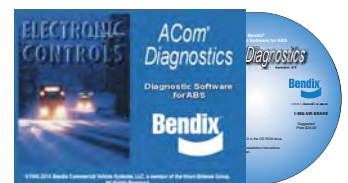
| OE Pc. No. | Service New Pc. No. | Bracket Included | Supply | Delivery (4 ports) | Crack Pressure |
|------------|---------------------|------------------|----------|--------------------|----------------|
| 5012023 | 801993 | No | 3/4" NPT | 3/8" NPT | 3.0 psi |
| 5012024 | 801994 | Yes | | | |
| K091056 | K112192 | No | | | 4.5 psi |
| K112173 | K112193 | Yes | | | |


**Bendix® BR9235™
ABS Modulator/
Relay Valve**
Bendix® TABS-6™ Harnesses and Cables

| OE Pc. No. | Service New Pc. No. | Description | Length |
|------------|---------------------|---|---|
| 300258 | 802025 | | 80" |
| 5015531 | 802052 | Bendix® WS-24™ Wheel Speed Sensor Extension | 60" |
| 5019464 | 802946 | | 260" |
| 5015014 | 801996 | ECU Pigtail - Standard 2S/1M | Power - 60" |
| 5015016 | 801998 | | Power - 234" |
| 5015018 | 802000 | ECU Pigtail - Advanced or Premium 2S/1M | Power - 9", Diagnostic - 9" |
| K022146 | K025647 | ECU Pigtail - Advanced MC 4S/2M or 2S/2M | Power - 9" |
| K025593 | K025621 | Advanced MC - CAN diagnostic | Diagnostic - 9" |
| 5015019 | 802001 | ECU Pigtail - Premium 2S/1M | Power - 60", Diagnostic - 9" |
| 5015021 | 802003 | | Power - 234", Diagnostic - 9" |
| 5015023 | 802005 | ECU Pigtail - Premium 2S/2M | Power - 60", Modulator - 36", Diagnostic - 9" |
| 5015025 | 802007 | | Power - 234", Modulator - 36", Diagnostic - 9" |
| 5015027 | 802009 | ECU Pigtail - Premium 4S/2M | Power - 60", Modulator - 36", Sensors - 60", Diagnostic - 9" |
| 5015029 | 802011 | | Power - 234", Modulator - 36", Sensors - 60", Diagnostic - 9" |
| 5013352 | 802016 | Trailer Power Harness | 120" 5-pin Packard, Non-Terminated Warning Lamp - 10" |
| 5013353 | 802017 | | 780" 5-pin Packard, Non-Terminated Warning Lamp - 10" |
| 5013343 | 802018 | BR9235™ Remote Modulator Harness | 36" |
| 5019463 | 802947 | | 280" |
| 5007833 | 800790 | J1587 / J1708 Remote Diagnostic Harness | 120" |
| 5009193 | | | |

Bendix® TABS-6™ Service Replacement Components

| Service New Pc. No. | Description |
|---------------------|---|
| 802028 | TABS-6™ Standard / Premium / Advanced connector cover |
| K048189 | TABS-6™ Advanced MC connector cover |
| K016644 | TABS-6™ Standard connector lever |
| 801924 | TABS-6™ Standard / Premium / Advanced control line filter |
| K040542 | TABS-6™ Advanced 12-pin connector plug |
| K048190 | TABS-6™ Advanced MC silencer |


**Bendix® ACom® Diagnostic Software
visit bendix.com**

WS-24™ Wheel Speed Sensors

i SD-13-4860



0° (Straight)
Bendix® WS-24™ Wheel
Speed Sensors

90°
Bendix® WS-24™
Wheel Speed
Sensors

| OE Pc. No. | Service New Pc. No. | Body Style | Harness Length | Connector Type | Customers Include |
|------------|---------------------|------------|----------------|----------------|----------------------------|
| 300083 | 801544 | 90° | 12" | DIN | Trailer OEMs |
| K028296 | K029519 | Straight | | | |
| 300084 | 801538 | 90° | 75" | | Peterbilt®, Kenworth® |
| 300087 | 801542 | Straight | 78" | | Kenworth, Mack® |
| 300150 | 801541 | 90° | 63" | | Volvo®, Blue Bird® |
| 300151 | 801543 | Straight | 66" | | Peterbilt, Kenworth, Volvo |
| K034750 | K034753 | 90° | 90" | DT04 | International® |
| 5012266 | 801549 | 90° | 60" | | |
| 5012267 | 801550 | 90° | 75" | | |
| 5012268 | 801551 | 90° | 40" | | |
| 5012269 | 801552 | Straight | 75" | | |
| 5012270 | 801553 | Straight | 40" | | |



Clamping Sleeve
Pc. No. 801534
Included with all service new
Bendix® WS-24™ Sensors

New universal clamping sleeves have a
Dynamark symbol stamped as shown.

NOTE: Early Bendix® WS-20™ clamping sleeves
have "BW" in a diamond symbol stamped and
cannot be used for WS-24™ sensors.

Connectors Available

| | |
|-------------------------------------|--|
| | |
| | |
| | |
| Standard 2-Pin DIN Barrel Connector | |

Bendix® WS-20™ Wheel Speed Sensor Replacements

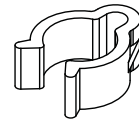
• Bendix® WS-20™ wheel speed sensors are no longer available.

i SD-13-4754

| WS-20™ Pc. No. | WS-24™ Service New Pc. No. | Body Style | Harness Length | Connector Type |
|----------------|----------------------------|------------|----------------|-----------------|
| 065517 | 801566 | 90° | 75" | Packard (150.2) |
| 065518 | 801566 | | | |
| 550657 | 801566 | | | |
| 5000889 | 801546 | | 60" | Deutsch DTM |
| 5005707 | 801546 | | | |
| 5006663 | 801567 | Straight | 63" | Packard (150.2) |
| 5006664 | 801567 | | | |



Retainer for a
2-Pin DIN Connector
Pc. No. 300122N



Hose Clip
Pc. No. K044394
(10 pieces)

Previous Bendix Wheel Speed Sensors
The Bendix WS-24 sensor fit and function is compatible with all previous Bendix wheel speed sensors (when used with correct clamping sleeve - see above).

Bendix® ESP® Sensors

i SD-13-4869



Bendix® SAS-60™
Steering Angle Sensor

| OE Pc. No. | Service New Pc. No. | Connector Type | Stability System Compatibility | Customers Include |
|---------------------------|---------------------|----------------|--------------------------------|---|
| Steer Angle Sensor | | | | |
| 5013702 K072855 | K072856 | 90° | Bendix | Navistar®, Kenworth®, Peterbilt®, Volvo®, Mack® |
| 5018284 K072861 | K022680 | 90° | Other | Freightliner® |
| 5015743 K072859 | K072860 | Straight | Other | Freightliner |
| 5018418 | K022679 | Straight | Bendix | Navistar, Kenworth, Peterbilt, Volvo, Mack |

| OE Pc. No. | Service New Pc. No. | Model | Mounting Orientation Guides | Customers Include |
|---|---------------------|----------|-----------------------------|--|
| Yaw/Lateral Acceleration Sensor* | | | | |
| 5013703 | 802126 | YAS-60™ | - | Navistar, Kenworth, Peterbilt, Volvo, Mack, Prevost® |
| K0205682E4 | K058836 | YAS-70X™ | - | Volvo, Mack |
| K0205682E4P | K048055 | | Included | Navistar, Kenworth, Peterbilt, Prevost |
| Pressure Sensor | | | | |
| 5005758 | 5008677 | PS-60™ | - | Navistar, Kenworth, Peterbilt |

*Yaw/Lateral acceleration sensor models and part numbers are not interchangeable.



Bendix® PS-60™
Pressure Sensor



Bendix® YAS-70X™
Yaw/Lateral Acceleration
Sensor Package



Bendix® YAS-60™
Yaw/Lateral Acceleration
Sensor Package

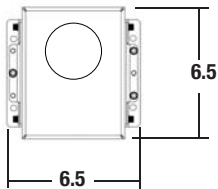
Bendix™ VORAD® VS-400 Forward Looking Radar

i Reference BW2771

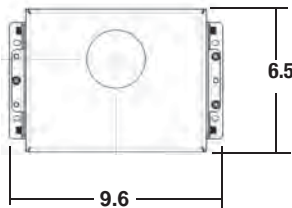


Bendix™ VORAD® VS-400 Forward Looking Radar

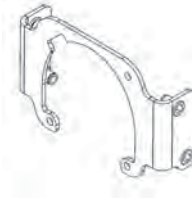
| OE Pc. No. | Reman. Exchange Pc. No. (Radar Only) | Replacement Part Functionality | | | Service Bracket Kit for OEM Installation | Customers |
|------------|--------------------------------------|--------------------------------|--|------------------|--|----------------|
| | | Collision Warning | Adaptive Cruise Control (Bendix® SmartCruise®) | Range Adjustable | | |
| VSFR-002 | K094042X | Yes | — | — | None | Freightliner® |
| VSFR-002H | | | | | | International® |
| VSFR-006 | | | | | VSBR-004N | Volvo® |
| VSFR-011 | | | | | VSBR-011N | Freightliner |
| VSFR-017 | | | | | N11-6083 | PACCAR® |
| K054325 | | | | | None | International |
| VSFR-003 | K094044X | Yes | Yes | Yes | None | Freightliner |
| VSFR-003H | | | | | | International |
| K054326 | | | | | | International |
| VSFR-005P | | | | | | Kenworth® |
| VSFR-008 | | | | | VSBR-004N | Volvo |
| VSFR-018 | | | | | N11-6083 | Peterbilt® |



Small Bracket VSBR-004N



Large Bracket VSBR-011N



Peterbilt® Bracket N11-6083

Forward Looking Radar Driver Display

| OE Pc. No. | Service New Pc. No. | Volume Adjustable | Customers |
|-------------|---------------------|-------------------|----------------|
| K040748 | K120829N000 | Yes | Freightliner® |
| K046159 | | | Peterbilt® |
| K057751 | | | Kenworth® |
| K057752 | | | Volvo® |
| K092701 | | | International® |
| K092702 | | | International |
| K097310 | | | Kenworth |
| K111682 | | | Kenworth |
| K113704R000 | | | International |
| VSDI-001 | | | PACCAR® |
| VSDI-001P | | | International |
| VSDI-001P2 | | | Freightliner |
| VSDI-001V | | | MCI® |
| VSDI-003 | | | International |



Forward Looking Radar Driver Display



Bendix™ Forward Looking Radar FLR-10™ to FLR-20™ Changeover

| Navistar® | | |
|---|--|---|
| Bendix™ FLR-10™ Radar Sensor Pc. No. | For Navistar® ProStar® vehicles built on or before 1/31/2011 | For Navistar ProStar® vehicles built after 1/31/2011 |
| K043225 | K097917 | K097916 |
| K050056 | | |
| K050057 | | |
| K051511 | | |
| K056476 | | |
| K056480 | | |
| K056481 | | |
| K067883 | | |
| K067884 | | |
| K070393 | | |
| K090770 | | |
| K090778 | | |

| Peterbilt® | |
|-----------------------------|--|
| Peterbilt® Vehicle Model | Bendix™ FLR-20™ Replacement Kit Pc. No. |
| Peterbilt 365 | K108587 |
| Peterbilt 367SFAA | |
| Peterbilt 384 (molded) | K111346 |
| Peterbilt 384 (clad) | |
| Peterbilt 386 (molded) | K108586 |
| Peterbilt 386 (clad) | K111346 |
| Peterbilt 388 | K108587 |
| Peterbilt 389 | |
| Peterbilt 579 | K111345 |
| Peterbilt 587 | K111347 |

| Kenworth® (Not applicable for vehicles with MX2013 Engines) | |
|--|--|
| Kenworth® Vehicle Model | Bendix™ FLR-20™ Replacement Kit Pc. No. |
| Kenworth T660 | K109003 |
| Kenworth T680 | K111345 |
| Kenworth T700 | K111348 |
| Kenworth T800 | K108587 |

| Mack® | |
|---|---|
| Bendix™ FLR-10™ Radar Sensor Pc. No. | Mack® Replacement Kit Pc. No. |
| K035749 | Order 85143481 from your Mack dealer |
| K036727 | |
| K040234 | |
| K043283 | |
| K046886 | |
| K051105 | |
| K051511 | |
| K056476 | |
| K056478 | |
| K070393 | |








| Volvo® | |
|---|--|
| Bendix™ FLR-10™ Radar Sensor Pc. No. | Volvo® Replacement Kit Pc. No. |
| K027310 | Order 85145768 from your Volvo dealer |
| K036725 | |
| K040236 | |
| K046886 | |
| K051131 | |
| K051511 | |
| K056475 | |
| K056476 | |
| K070393 | Order 85145769 from your Volvo dealer |
| K027310 | |
| K036725 | |
| K040236 | |
| K046886 | |
| K051131 | |
| K051511 | |
| K056475 | |
| K056476 | |
| K070393 | |

Reman FLR-10 piece number K030393 is available in limited quantities.
When servicing an FLR-10 radar it is recommended that an FLR-20 be used, if possible.








Bendix™ FLR-20™ Kits and Service Parts

| Vehicle Application | OE Part Numbers | Bracket Kit (Radar Sensors Are Not Included in Kits) | Other Parts Available | Reman Bendix™ FLR-20™ Radar Sensor |
|---|---|--|--|---|
| Kenworth® Vehicles | | | | |
| T660 | K071755R001 K073211 K073211R001 | K073210  | KW Cover N22-1332, (order from PACCAR) |  K071772N002X |
| T680 | K072849 K072849R001 K072849R002 K073209 K073209R001 | K073206  | KW Cover N22-1307-411, (order from PACCAR) | |
| T800 | K069922R001 K073213R001 | K073212  | — | |
| Peterbilt® Vehicles | | | | |
| SFFA 365/367/ 388/389 | K073219 K073219R001 | K073212  | Jumper Harness K092154 |  K071772N002X |
| SFFB 384/386 (clad), 384 (molded) | K073208R001 | K073205  | | |
| 386 (molded) | K091531 K091531R001 | K091529  | — | |
| 567 | K111078R000 | K073205  | — | |
| 579 | K072849 K072849R001 K072849R002 | K073206  | — | |
| 587 | K072846 K072846R001 | K073204  | Jumper Harness K092154 | |

Bendix™ FLR-20™ Kits and Service Parts






| Vehicle Application | OE Part Numbers | Bracket Kit (Radar Sensors Are Not Included in Kits) | Reman Bendix™ FLR-20™ Radar Sensor |
|--|-----------------------------------|---|--|
| Navistar® Vehicles (J1939 Communications - 250 kbps) | | | |
| Navistar® ProStar®, LoneStar® | K071761 K071761R001 | K073215  |  K071772N002X |
| Navistar TranStar® | K073220 K093286 K093286R001 | K090752  | |
| Navistar WorkStar® | K073216 K105029R001 | K073217  | |
| Navistar ProStar with metal bumper | K087384 K087384R001 | K087385  | |
| Volvo® and Mack® Vehicles | | | |
| Volvo® and Mack® | K071759 | K071757  |  K071772N002X (K105224 Sold Separately) |

ACCESSORIES:







| | | | | | |
|--|---|---|---|---|--|
| K105224  | Bumper Harness* | | Bumper Harness Mating Connector* | | |
| | K092154  |  | K105399 | | |
| Stand-off Adjustment Kit (Included in Bracket Kits) | | Bendix® Wingman® Alignment Tools | | A Steel Clip is also Required for the Bendix™ FLR-20™ Radar Sensor Alignment Procedure | |
| K073199  | K041451  OR K065284 or K096579  |  | | K073087 | |

*Can be used in cases where vehicle harness is damaged.

Bendix™ FLR-20™ Kits and Service Parts






| Vehicle Application | OE Part Numbers | Bracket Kit (Radar Sensors Are Not Included in Kits) | Reman Bendix™ FLR-20™ Radar Sensor |
|--|--|---|---|
| Navistar® Vehicles (J1939 Communications - 250 kbps) OEM Production Beginning July 2015 | | | |
| Navistar® ProStar® | K113245R000 K113245R001 K118207R000 K118207R001 | K073215  |  K123760N000X |
| Navistar TranStar® | K118209R000 K118209R001 | K090752  | |
| Navistar WorkStar® | K118210R000 K118210R001 | K073217  | |
| Navistar ProStar with metal bumper (Aeroclad) | K118208R000 K118208R001 K118613R000 K118613R001 | K087385  | |
| Navistar DuraStar® | K118300R000 K118300R001 | K132318 Image Not Available | |

ACCESSORIES:







| Stand-off Adjustment Kit (Included in Bracket Kits) | | Bumper Harness* | Bumper Harness Mating Connector* |
|--|---|---|---|
| K073199 |  | K092154  | K105399  |
| | | A Steel Clip is also Required for the Bendix™ FLR-20™ Radar Sensor Alignment Procedure | |
| | | Bendix® Wingman® Alignment Tools | |
| | | K041451  OR K065284 or K096579  | K073087  |

*Can be used in cases where vehicle harness is damaged.

Bendix™ FLR-20™ Kits and Service Parts

| Vehicle Application | OE Part Numbers | Bracket Kit (Radar Sensors Are Not Included in Kits) | Reman Bendix™ FLR-20™ Radar Sensor |
|---|--|---|---|
| Navistar® Vehicles (J1939 Communications - 500 kbps) | | | |
| Navistar® ProStar® | K113989R000 K113989R001 K118612R000 K118612R001 | K073215  |  K123761N000X |
| Navistar TranStar® | K113988R000 K113988R001 | K090752  | |
| Navistar WorkStar® | K113991R000 K113991R001 | K073217  | |
| Navistar ProStar with metal bumper (Aeroclad) | K113990R000 K118614R000 | K087385  | |
| Navistar DuraStar® | K118351R000 K118351R001 | K132318 Image Not Available | |

ACCESSORIES:

| Stand-off Adjustment Kit (Included in Bracket Kits) | | Bumper Harness* | Bumper Harness Mating Connector* |
|--|---|---|--|
| K073199 |  | K092154  |  K105399 |
| | | Bendix® Wingman® Alignment Tools | |
| | | A Steel Clip is also Required for the Bendix™ FLR-20™ Radar Sensor Alignment Procedure | |
| | | K041451  OR K065284 or K096579  |  K073087 |

*Can be used in cases where vehicle harness is damaged.

AutoVue® Lane Departure Warning (LDW) System™ by Bendix CVS

i [SD-64-20124](#)

| OE Pc. No. | Service Pc. No. | Description |
|----------------------|-----------------|--|
| ECU | | |
| 493364001 | 493364001N | 2G NA ECU (Freightliner® Century and Columbia) |
| 493364002 | K070255 | 2G NA ECU (Freightliner Cascadia®) |
| 493625001 | K073590 | 3G NA ECU (Volvo® w/ Volvo Engine, Audio) |
| 493625002 | K073591 | 3G NA ECU (Volvo w/ non-Volvo Engine, Audio) |
| 493625003 | K073592 | 3G NA ECU (Volvo w/ Volvo Engine, SafetyDirect® System by Bendix CVS w/ PeopleNet® Telematics, Audio) |
| 493625004 | K073593 | 3G NA ECU (Volvo w/ non-Volvo Engine, SafetyDirect System by Bendix CVS w/ PeopleNet Telematics, Audio) |
| 493625005 | K073594 | 3G NA ECU (Volvo / Volvo Engine, SafetyDirect® System by Bendix CVS with Qualcomm® Telematics, Audio) |
| 493625006 | K073595 | 3G NA ECU (Volvo / non-Volvo Engine, SafetyDirect® System by Bendix CVS with Qualcomm Telematics, Audio) |
| 493625007 | K073596 | 3G NA ECU (Mack® Pinnacle® / Volvo Engine, Audio) |
| 493625008 | K073597 | 3G NA ECU (Mack Pinnacle / Volvo Engine, Haptic) |
| K068392 | K069554 | 3G NA ECU - Configuration is Required |
| Camera | | |
| 493246502 | K070256 | 2G NA Camera (24 inch) |
| 493363501 | | |
| 493554502 | K069077 | 3G NA Camera (24 inch) |
| K068391 | | |
| 493554504 | K069079 | 3G NA Camera (15 feet) |
| K069056 | | |
| Bracket | | |
| 493398501 | 493398501N | 2G EU Bracket |
| 493081001 | K070254 | AutoVue® System Standard Bracket |
| 493088201 | | |
| K113244 | K109285 | Bendix™ FLC-20™ Camera Bracket -1.5° |
| K113247 | | |
| Cable | | |
| 493558701 | K070257 | OE Cable - Direct Connect to Qualcomm Telematics, MCP100 (10 feet) |
| 493558801 | K070258 | OE Cable - Direct Connect to Qualcomm Telematics, MCP200 (10 feet) |
| 493558901 | K070259 | OE Cable - Direct Connect to PeopleNet® Telematics, (10 feet) |
| 493559301 | K070260 | 3G Aftermarket Cable Direct Connect to MCP100 (17 feet) |
| 493559401 | K070261 | 3G Aftermarket Cable Direct Connect to MCP1100 and MCP200 (17 feet) |
| 493559901 | K102334 | 3G Aftermarket Cable Direct Connect to PeopleNet Systems (17 feet) |
| 493587501 | K077488 | 3G NA Cable - 2G to 3G Retrofit |
| 493556201 | K079771 | 3G NA Cable - Speaker, RS-232 |
| 493556901 | K102334 | 3G Aftermarket Cable Direct Connect to PeopleNet (17 feet) - haptic, RS-232 |
| 493231201 | K082373 | AutoVue Cable - 20' Truck Harness |
| Miscellaneous | | |
| 1361139 | K078657 | AutoVue Dash Switch Kit |
| K079385 | | |
| 493081201 | K079727 | AutoVue Bracket Adhesive |
| 0810437 | K082368 | AutoVue 3-1/2" Flush Speaker |
| 0810438 | K082369 | AutoVue 3-1/2" Speaker Cover |

Components for AutoVue® by Bendix CVS



ECU

Camera

Cable

Speaker and Cover

Dash Switch

Bendix™ BlindSpotter® Side Radar

SD-61-4933

| OE Pc. No. | Service New Pc. No. | Customers |
|------------|---------------------|----------------------|
| 15671-001 | 15671-001N | Kenworth® |
| 15671-001P | | Kenworth, Peterbilt® |
| 15671-001V | | Volvo®, Mack® |
| VSSD-001 | | Freightliner® |
| VSSD-001H | | Navistar® |
| K070289 | K072601 | Freightliner |



Side Radar

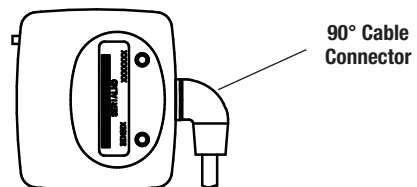
Bendix™ BlindSpotter® Side Speaker

| OE Pc. No. | Service New Pc. No. | Customers |
|-------------|---------------------|---------------------|
| 15670-001P1 | 15670-001N | Kenworth, Peterbilt |
| 15670-001P2 | | Kenworth, Peterbilt |
| 15670-001V | | Volvo |
| VSSD-002 | | Freightliner |
| VSSD-003 | | Navistar |
| VSSD-004 | VSSD-004N | Freightliner |

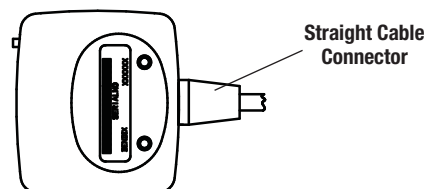


Side Speaker

Bendix™ BlindSpotter® Retrofit Kit Pc. No. 83251-701N includes all the wiring and hardware necessary to install BlindSpotter on an in-service vehicle.



90° Cable Connector



Straight Cable Connector

SmarTire® Tire Pressure Monitoring Systems (TPMS)

• Service Parts and Tools

i BW2799

Service Parts

| OE Pc. No | Service New Pc. No. | Description |
|----------------------|---------------------|---|
| - | 115.0009N | Gold Series Wheel Sensor Kit for 22.5" Wheels* |
| - | 115.0010N | Gold Series Wheel Sensor Kit for 24.5" Wheels* |
| 201.0007 201.0009 | 201.0009N | Gold Series Wheel Sensor/Transmitter with Rim Label |
| 264.0328 K126936 | K129560 | Sensor/Transmitter Mounting Strap (up to a 22.5" wheel) |
| 264.0332 K120938 | K129561 | Sensor/Transmitter Mounting Strap (up to a 24.5" wheel) |
| 200.0216 200.0184 | 200.0224N | Receiver ECU |
| 200.0217 200.0179 | 200.0217N | Dash Display |
| 240.0162 | 240.0162N | Antenna |
| 260.0309 | 260.0309N | System Harness |
| 260.0232 | 260.0232N | 40' Co-ax Cable |
| 260.0266 | 260.0266N | 30' Co-ax Cable |
| 264.0318 | 264.0318N | Receiver ECU Mounting Bracket |
| 264.0228 | 264.0228N | Transmitter Cradle - High |
| K075867 | K095614 | Trailer-Link™ ABS Splice Cable |
| K075868 | K095615 | Trailer-Link ECU Wiring Harness (6 foot) |
| 200.0189 | 200.0189N | Trailer-Link ECU |
| K075869 | K095616 | Trailer-Link ECU Wiring Harness (15 foot) |
| K092801 | K096638 | Trailer-Link Mounting Bracket |
| K079156 | K097008 | ECU CAN Ready Harness |
| K079157 | K097009 | Display CAN Ready Harness |

* Includes transmitter, strap and label

Tools and Diagnostic Aids

| Tool Pc. No. | Description |
|--------------|-------------------------------|
| 090.0011 | SmarTire® Maintenance Tool |
| 090.0021 | SmarTire LF Tool |
| 108.9003 | SmarTire Diagnostic Cable |
| K092501 | Trailer-Link Diagnostic Cable |

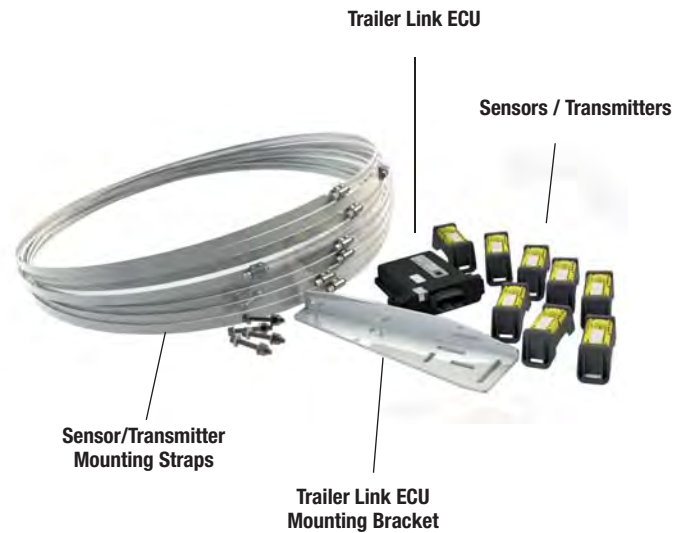


SmarTire® Tire Pressure Monitoring Systems (TPMS) Retrofit Kits

| Retrofit Kit Pc. No. | Description |
|----------------------------------|--|
| Tractor / Truck Kits | |
| Stand-Alone Installations | |
| 108.1006 | 4 x 2 Truck / Bus Retrofit Kit |
| 108.1008 | 3 Axle Bus / Coach Retrofit Kit |
| 108.1010 | 6 x 4 Truck Retrofit Kit |
| 108.1204 | 4 x 4 Wide Based Tire Truck Retrofit Kit |
| 108.1206 | 6 x 2 Wide Based Tire Truck Retrofit Kit |
| CAN Ready Installations | |
| 108.2010 | 6 x 4 Truck Retrofit Kit |
| 108.2206 | 6 x 4 Wide Based Truck Retrofit Kit |



| Retrofit Kit Pc. No. | Description |
|--------------------------|---|
| Trailer-Link Kits | |
| 108.1604 | 2 Axle Trailer with Wide Based Single Tires |
| 108.1408 | 2 Axle Trailer with Dual Tires |



| |
|--|
| Note: Kits are configured as follows: |
| <ul style="list-style-type: none"> • Cold Inflation Pressure (CIP) 100 psi For All Axles • First Level Alert (FAL) \pm 15% • Second Level Alert (SAL) -20% • High Temp 185° |

Diagnostic Tools

| Service New Pc. No. | Description |
|------------------------------|--|
| Powered Vehicle Tools | |
| K101596N001 | Bendix® RDU™ (Remote Diagnostic Unit) |
| K101599N001 | RDU (Pc. No. K101596N001) & J1939 (9-pin) Adapter (Pc. No. 802229) |
| 801872 | RDU Adapter - J1587 (6-pin) to RDU Adapter Cable |
| 802229 | RDU Adapter - J1939 (9-pin) to RDU Adapter Cable |
| K098856 | OBD2 Diagnostic Cable |
| K073087 | FLR-20™ Wingman® Adapter Bracket |
| K022055 | Datalink Monitoring Unit |
| K096759 | Bendix® Wingman® ACB Alignment Tool |
| 090.0011 | SmarTire® Maintenance Tool |
| 090.0021 | SmarTire LF Tool |
| 108.9003 | SmarTire Diagnostic Cable |
| Trailer Tools | |
| K101597 | Bendix® TRDU - Trailer Remote Diagnostic Unit |
| 802165 | TRDU adapter - 7-Pin Adapter |
| K044766 | J1587 (6-pin) Trailer Diagnostic Cable (120") |
| K044767 | J1939/J1587 (9-pin) Trailer Diagnostic Cable (72") |
| K092501 | TrailerLink™ Diagnostic Cable |
| K101595 | TRDU (Pc. No. K101597) & J1939 (7-pin) Adapter (Pc. No. 802165) |
| Software | |
| | ACom® PC Diagnostic Software - Download Available from Bendix.com. |



RDU Adapter
801872



Bendix® RDU
K101596N001



RDU Adapter
802229



DataLink™
Monitor
K022055



Bendix® Wingman® ACB
Alignment Tool
K065284 or
K096579



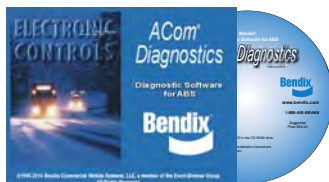
Maintenance Tool
090.0011



LF Tool
090.0021



Bendix® TRDU
K101597



Bendix® ACom® Diagnostic Software
visit bendix.com



TRDU Adapter
802165



Diagnostic Cable - 72"
K044767



OBD2 Diagnostic Cable
K098856

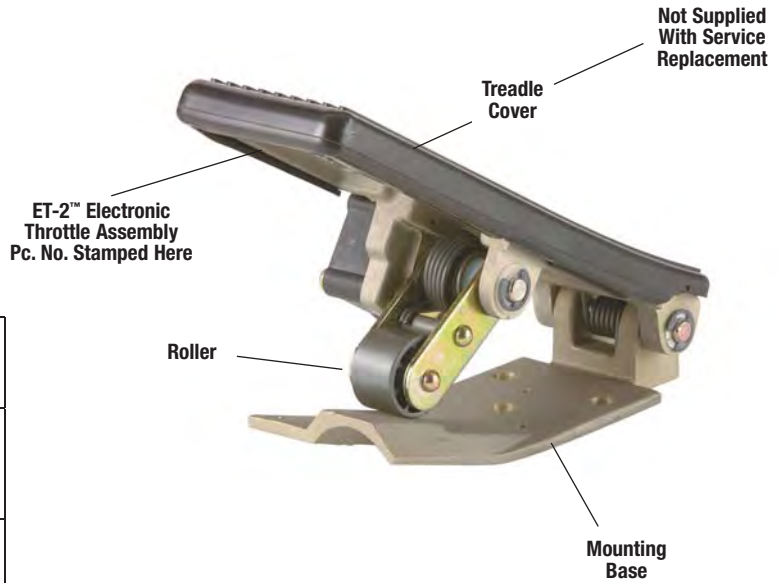
Bendix® ET-2™ Electronic Throttle

- Pivot Pin Kit 550392
- Lever Shaft Spring Kit 550393

V.M.R.S. No. 44-007-047

i [SD-15-4106](#)

| OE Pc. No. | Service New Pc. No. | Major Kit | Customer |
|------------|---------------------|-----------|-------------|
| 550281 | — | 550394 | DDC |
| 550546 | | | |
| 550604 | | | |
| 550482 | — | 550543 | Cummins |
| 5004022 | | | |
| 5006301 | | | |
| 5006302 | 800638 | 5006362 | |
| 5006578 | 065483 | 550403 | Caterpillar |
| 550615 | | | |
| 5002574 | | | |
| 5009751 | | | |

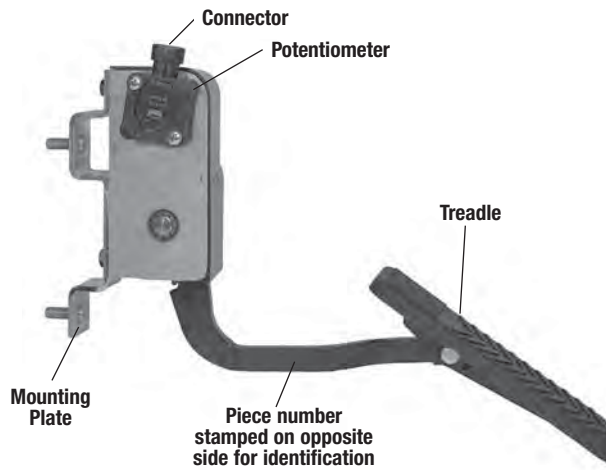


Bendix® ET-S2™ Electronic Treadle

V.M.R.S. No. 44-007-047

i [SD-15-4111](#)

| Service New Pc. No. | Treadle & Spring Kit | Potentiometer Replacement Kit | Customer |
|---------------------|----------------------|-------------------------------|-------------|
| 800606 | 5006085 | K124017 | Cummins |
| 800608 | | 5010163 | Caterpillar |
| K019453 | | | |



Your one-stop shop for hydraulic brake parts just got bigger, better *and* easier to use.

Here's why Formula Blue® is the smart choice for your operation:

- ✓ Catalog current to model year 2018
- ✓ New E107 standard pad line
- ✓ Expanded import and all makes coverage
- ✓ Industry's easiest and most up-to-date online parts finder
- ✓ One stop shop for all your hydraulic brake items
- ✓ Lowest prepaid freight in the industry, when combined with other Bendix® products.



The Formula Blue line – more than 6,000 parts strong – features a broad range of applications and provides a complete solution for fleet-oriented light- and medium-duty vehicles at an economical price. Products include new and remanufactured brake calipers, premium rotors, and full lines of pads, shoes, brake hardware, drums, and clutch hydraulics.

We've added 100 new part numbers

- More import and bus applications.
- A new value line of hydraulic brake pads, covering a range of name plates, including Blue Bird®, Ford®, Freightliner®, IC Bus®, Navistar®, Peterbilt®, and Thomas Built® Buses.

New online resources for convenient, one-stop shopping

• The Formula Blue Parts Guide

Simply type in your product type and vehicle model to instantly find the right Formula Blue part for your application. Compare grades of pads and rotors (good/better/best). Cross from other brands to Formula Blue.

• 2018 Formula Blue Illustrated Parts Identification Guide

An extensive, user-friendly catalog that includes product photographs, dimensions and application information.

Visit the Formula Blue page on foundationbrakes.com to access these tools.

To learn more about Formula Blue hydraulic brake parts, contact your Bendix representative or call 1-866-610-9709, or visit foundationbrakes.com.

Formula Blue Parts Guide online at foundationbrakes.com

Finding the right Formula Blue® replacement part for your vehicle is now fast and easy. The Formula Blue product catalog and supplement is now available online! A click of the mouse gives you instant access to all of the information you need, when you need it. Simply enter your desired product type and vehicle model to find the appropriate Formula Blue® parts for your specific application. Questions? Contact your Bendix account representative.

Product Type
Product <Select a Product>

Vehicle Application
Year <Select a Year>
Make <Select a Make>
Model <Select a Model>

Formula Blue Part Lookup
Enter Formula Blue Part No.

Competitive Part Cross-Reference Lookup
Enter Competitive Part No.

Application Guide for Most Popular Part Numbers

| Description | Heavy Duty | Premium | Standard | Position | Year | Vehicle Make |
|-------------|------------|-----------|-------------|----------|-----------|--|
| Caliper | E14640166 | E14640166 | E146010661* | Fr R | 2007-2014 | Dodge®, Freightliner®, Mercedes-Benz® |
| | E14640167 | E14640167 | E146401671* | Fr L | 2007-2014 | Dodge, Freightliner, Mercedes-Benz |
| | E14675006 | E14675006 | E146750061* | Fr & Rr | 1973-2008 | Chevrolet®, Chevrolet MD, Freightliner, Freightliner MD, GMC®, International®, Navistar®, International Harvester® MD, Sterling®, Sterling MD |
| | E14675007 | E14675007 | E146750071* | Fr & Rr | 1990-2005 | Freightliner, GMC |
| | E14684106 | E14684106 | E146841061* | Fr & Rr | 1980-2008 | Blue Bird® Bus MD, Chevrolet, Chevrolet MD, Ford®, Ford MD, Freightliner, GMC, GMC MD, Isuzu®, Isuzu MD, Spartan® MD, Sterling, Sterling MD |
| | E14685008 | E14685008 | E146850081* | Fr & Rr | 1983-2008 | Blue Bird Bus MD, Chevrolet, Chevrolet MD, Freightliner, Freightliner MD, GMC, GMC MD, International®, Isuzu, Isuzu MD, Mack®, Navistar, International Harvester MD, Sterling, Sterling MD |
| | E14688008 | E14688008 | E146880101* | Fr & Rr | 1985-2014 | Blue Bird Bus MD, Ford, Freightliner, Freightliner MD, International, Kenworth®, Peterbilt®, Sterling, Sterling MD, Workhorse®, Workhorse Custom Chassis MD |
| | E14688010 | E14688010 | E146880101* | Fr & Rr | 2004-2012 | Thomas Built® MD |
| | E14690006 | E14690006 | E146900061* | Fr | 2006-2012 | Workhorse, Dodge, Freightliner, Mercedes-Benz |
| | E14690007 | E14690007 | E146900071* | Fr | 2006-2012 | Workhorse, Dodge, Freightliner, Mercedes-Benz |
| Disc Pads | E11101840 | E10901840 | E10701840 | Fr & Rr | 1973-2010 | International, Chevrolet, GMC, Freightliner, Workhorse, Sterling |
| | E11102240 | E10902240 | E10702240 | Fr & Rr | 1979-2008 | Chevrolet, GMC, Ford, Isuzu, Sterling |
| | E11102250 | E10902250 | E10702250 | Fr & Rr | 1979-2008 | Chevrolet, GMC, IHC®, Blue Bird Bus, Freightliner, Isuzu, Sterling |
| | E11104110 | E10904110 | E10704110 | Fr & Rr | 1988-2007 | Ford |
| | E11107690 | E10907690 | E10707690 | Fr & Rr | 1992-2012 | Freightliner, Chevrolet, GMC, Isuzu, Blue Bird Bus, Ford, Workhorse, Thomas Built, Hino®, IC Bus®, IHC |
| | E11107840 | E10907840 | E10707840 | Fr | 2010-2011 | GMC |
| | E11107860 | E10907860 | E10707860 | Fr & Rr | 1995-2011 | Workhorse, IHC, Sterling, Blue Bird Bus, IC Bus, Thomas Built, Freightliner, Ford, Kenworth, Peterbilt |
| | E11107861 | E10907861 | E10707861 | Fr & Rr | 1998-2011 | International, Sterling, Blue Bird Bus, Workhorse, IC Bus, Thomas Built, Freightliner, Ford, Kenworth, Peterbilt |
| | E11108250 | E10908250 | N/A | Fr | 1998-2012 | Chevrolet, GMC, Isuzu |
| | E11110660 | E10910660 | E10710660 | Fr & Rr | 2005-2012 | Ford, International |
| | E11110690 | E10910690 | E10710690 | Fr | 2010-2012 | Ford |
| | E11111360 | E10913160 | N/A | Fr | | |
| | E11113170 | E10913170 | N/A | Rr | | |
| | E11113280 | E10913280 | E10713280 | Fr | 2008-2011 | Ford |
| Rotors | E12548021 | E12648021 | N/A | Fr & Fr | 1998-2012 | Chevrolet, GMC, Isuzu Isuzu |
| | E12570074 | E12670074 | N/A | Fr & Rr | 1999-2013 | Ford Ford |
| | E12580006 | E12680006 | N/A | Fr | 2005-2010 | Hino |
| | E12585006 | E12685006 | N/A | Fr & Rr | 1979-2000 | Chevrolet, GMC, Isuzu |
| | E12585013 | E12685013 | N/A | Fr | 1979-1991 | Chevrolet, GMC |
| | E12588018 | E12688018 | N/A | Fr & Rr | 1973-2013 | Ford IHC , Blue Bird Bus, Freightliner, Sterling, Workhorse, IC Bus, Ford, Kenworth, Peterbilt |
| | E12588019 | E12688019 | N/A | Fr & Rr | 1990-2013 | Ford Blue Bird Bus, IHC , Freightliner, Sterling, Workhorse, IC Bus, Ford, Kenworth, Peterbilt |
| | E12588020 | E12688020 | N/A | Fr & Rr | 1973-2011 | International, Blue Bird Bus, Freightliner, Workhorse, Kenworth, Peterbilt |
| | E12588021 | E12688021 | N/A | Fr & Rr | 1973-2011 | Ford IHC , Blue Bird Bus, Freightliner, Sterling, Workhorse, IC Bus, Ford, Kenworth, Peterbilt |
| | E13040111 | E12640111 | N/A | Fr | 2007-2012 | Dodge, Freightliner, Mercedes-Benz |
| | E13040112 | E12640112 | N/A | Rr | | |
| | E13040113 | E12640113 | N/A | Rr | | |

* Denotes the caliper does not include hardware (bare).

Rotor Cross Reference

| Meritor® | Formula Blue® |
|-------------|---------------|
| 23122527002 | E12588006 |
| 23122687002 | E12685013 |
| 23122688002 | E12685009 |
| 23122691 | E12584019 |
| 23122691002 | E12584019 |
| 23122693002 | E12585007 |
| 23122701002 | E12588007 |
| 23122703002 | E12584021 |
| 23122729002 | E12685006 |
| 23122729098 | E12685006 |
| 23122743002 | E12684022 |
| 23122897002 | E12688018 |
| 23122920002 | E12688011 |
| 23122945002 | E12588012 |
| 23122962002 | E12688013 |
| 23123041002 | E12685014 |
| 23123046002 | E12585015 |
| 23123296002 | E12685016 |
| 23123341002 | E12584025 |
| 23123434002 | E12585006 |
| 23123439002 | E12684027 |
| 23123440002 | E12685017 |
| 23123443002 | E12684020 |

| Meritor® | Formula Blue® |
|-------------|---------------|
| 23123458002 | E12684028 |
| 23123461002 | E12584031 |
| 23123468002 | E12587006 |
| 23123485002 | E12685006 |
| 23123486002 | E12685013 |
| 23123489002 | E12685017 |
| 23123494002 | E12587007 |
| 23123495002 | E12685016 |
| 23123498002 | E12684030 |
| 23123527002 | E12684029 |
| 23123528002 | E12584032 |
| 23123530002 | E12584031 |
| 23123532002 | E12585021 |
| 23123547002 | E12591018 |
| 23123550002 | E12688019 |
| 23123550004 | E12688019 |
| 23123552002 | E12688018 |
| 23123552004 | E12688018 |
| 23123557002 | E12685019 |
| 23123557004 | E12685019 |
| 23123557009 | E12685019 |
| 23123572002 | E12688020 |
| 23123572004 | E12688015 |

| Meritor® | Formula Blue® |
|-------------|---------------|
| 23123572004 | E12688020 |
| 23123573002 | E12688021 |
| 23123573004 | E12688021 |
| 23123574004 | E12585020 |
| 23123617004 | E12580010 |
| 23123618007 | E15680008 |
| 23123624007 | E12580009 |
| 23123625002 | E12580006 |
| 23123626002 | E12580007 |
| 23123642002 | E12591006 |
| 23123647002 | E12591007 |
| 23123648002 | E12688021 |
| 23123649002 | E12688018 |
| 23123664002 | E12688019 |
| 23123699008 | E12688019 |
| 23123700002 | E12684020 |
| 23123701008 | E12688018 |
| 23123730008 | E12688021 |
| 23123550009 | E12688019 |
| 23123552009 | E12688018 |
| 23123557009 | E12688019 |
| 23123572009 | E12688020 |
| 23123573009 | E12688021 |

| Performance Friction® (PFC) | Formula Blue® |
|-----------------------------|---------------|
| 278.050.01 | E12567102 |
| 287.056.01 | E12566078 |
| 301.052.01 | E12567103 |
| 305.045.01 | E12566077 |
| 318.094.01 | E12570017 |
| 342.055.01 | E12568066 |
| 348.067.01 | E12568070 |
| 381.081.20 | E12588019 |
| 381.082.20 | E12588019 |
| 381.089.20 | E12588021 |
| 381.089.30 | E12588015 |
| 381.113.20 | E12588018 |
| 381.181.20 | E12588008 |
| 381.181.30 | E12588006 |
| 390.048.20 | E12588025 |
| 390.086.20 | E12585019 |
| 390.193.20 | E12585020 |



Caliper Cross Reference

| Meritor® | Formula Blue® |
|-------------|---------------|
| 60050150XL | E14784106 |
| 60450394 | E14684106 |
| 60450468 | E14684012 |
| 60450468002 | E14684012 |
| 60450468005 | E14684012 |
| 60450469 | E14684013 |
| 60450469002 | E14684013 |
| 60450469005 | E14684013 |
| 60450473 | E14684014 |
| 60450473 | E14684014 |
| 60450473001 | E14684014 |
| 60450473001 | E14684014 |
| 60450473004 | E14684014 |
| 60450473004 | E14684016 |
| 60450473005 | E14684014 |
| 60450474 | E14684015 |

| Meritor® | Formula Blue® |
|-------------|---------------|
| 60450474 | E14684017 |
| 60450474001 | E14684015 |
| 60450474001 | E14684017 |
| 60450474004 | E14684015 |
| 60450474004 | E14684017 |
| 60450474005 | E14684015 |
| 60450474005 | E14684017 |
| 60450475 | E14684106 |
| 60450475001 | E14684106 |
| 60450476 | E14688016 |
| 60450477 | E14688017 |
| 60450478 | E14688015 |
| 60450478007 | E14688015 |
| 60450479 | E14688014 |
| 60450480 | E14684016 |
| 60450481 | E14684017 |

| Meritor® | Formula Blue® |
|-------------|---------------|
| 60450481004 | E14684015 |
| 60450483 | E14684012 |
| 60460473005 | E14684016 |
| R4212277X | E14681011 |
| R4212278X | E14681010 |
| E-11117X | E146840161 |
| E-4238X | E146850081 |
| E-4245X | E146840061 |
| E-4237X | E146750061 |
| E-11756X | E146880101 |
| E-11750X | E146880081 |
| E-12067X | E146850141 |
| R42R55250 | E146850081 |
| R42R55251 | E146841061 |
| R42R55850 | E146880101 |
| R42R55314 | E146750061 |

| Meritor® | Formula Blue® |
|-----------|---------------|
| R42R55849 | E146880081 |
| R42R55717 | E146750071 |
| R42R55252 | E146840061 |
| E-11117GX | E14684016 |
| E-11734X | E14684012 |
| E-11733X | E14684013 |
| E-13205X | E14688017 |
| E-13707X | E14688014 |
| E11756X | E14688010 |
| E-11750X | E14688008 |
| E-4238GX | E14685008 |



Disc Pad Cross Reference

| Heavy Duty Meritor® | Heavy Duty Formula Blue® | Premium Meritor | Premium Formula Blue | Standard Meritor | Standard Formula Blue |
|---------------------|--------------------------|-----------------|----------------------|------------------|-----------------------|
| MMD786 | E11107860 | MD786 | E10907860 | MVD786 | E10707860 |
| MMD786A | E11107861 | MD786A | E10907861 | MVD786A | E10707861 |
| MMD784 | E11107840 | MD784 | E10907840 | MVD784 | E10707840 |
| MMD411 | E11104110 | MD411 | E10904110 | N/A | E10704110 |
| MMD225 | E11102250 | MD225 | E10902250 | N/A | E10702250 |
| MMD224 | E11102240 | MD224 | E10902240 | N/A | E10702240 |
| MMD1069 | E11110690 | MD1069 | E10910690 | N/A | E10710690 |
| MMD825 | E11108250 | MD825 | E10908250 | N/A | E10708250 |
| MMD1317 | E11113170 | MD1317 | E10913170 | N/A | N/A |
| MMD1316 | E11113160 | MD1316 | E10913160 | N/A | N/A |
| MMD769 | E11107690 | MD769 | E10907690 | MVD769 | E10707690 |

| Heavy Duty Performance Friction® (PFC) | Heavy Duty Formula Blue |
|--|-------------------------|
| 0224.10 | E11102240 |
| 0225.10 | E11102250 |
| 0411.10 | E11104110 |
| 0784.20 | E11107840 |
| 0786.10 | E11107860 |
| 0786.11 | E11107861 |
| 0786.12 | E11107860 |
| 0786.13 | E11107861 |
| 0825.20 | E11108250 |
| 1316.10 | E11113160 |
| 1317.10 | E11113170 |
| 0769.10 | E11107690 |

Online Bendix Literature Center – At Your Service

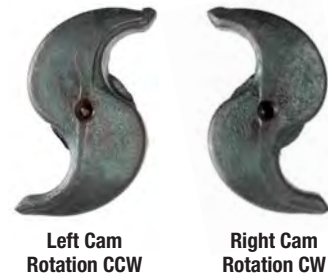
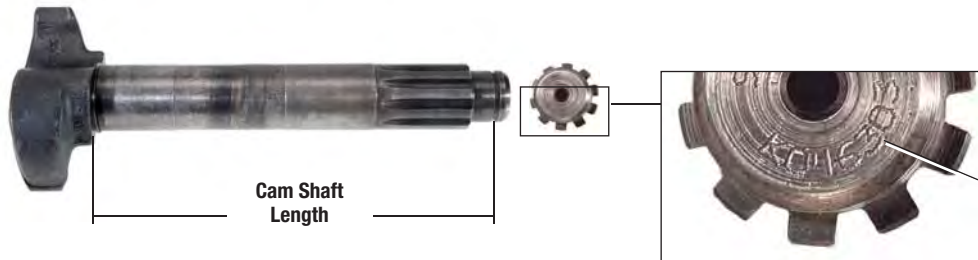
Need Literature? The online literature center makes it easy to order Bendix literature. Our streamlined ordering process is fast and convenient, and puts the most up-to-date Bendix product and technical literature right at your fingertips 24/7.



Sign-up takes just a few minutes, and gives you access to the documents you need to help sell or service Bendix products.

To register or to access your existing account, visit bendix.com and click on the “**Visit the Bendix Customer Center**” icon on the homepage, or use the link on foundationbrakes.com.

RSD Cam Service Replacements

- RSD Cam Kit Pc. No. K126580K must be used when servicing the RSD Cam to remain compliant with the RSD mandate.



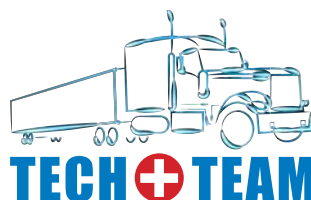
|  10 Tooth Cams RSD Precision Head | | | | |  28 Tooth Cams RSD Precision Head Cams | | | | |
|--|----------------|---------------|---------------|------------------|---|----------------|---------------|---------------|------------------|
| OE CCW Pc. No. | AM CCW Pc. No. | OE CW Pc. No. | AM CW Pc. No. | Cam Shaft Length | OE CCW Pc. No. | AM CCW Pc. No. | OE CW Pc. No. | AM CW Pc. No. | Cam Shaft Length |
| K044836 | K067736 | K044837 | K067737 | 8.7490 | K117544 | K117544N | K117545 | K117545N | 8.750 |
| K069752 | K100120 | K069753 | K100121 | 9.3750 | K117552 | K117552N | K117553 | K117553N | 9.375 |
| 978882 | K100122 | 978883 | K100123 | 9.4380 | K117558 | K117558N | K117559 | K117559N | 9.437 |
| K046302 | K072902 | K046303 | K072903 | 10.1520 | K117570 | K117570N | K117571 | K117571N | 10.125 |
| K044140 | K070400 | K044141 | K070401 | 10.3430 | K117576 | K117576N | K117577 | K117577N | 10.375 |
| K069754 | K075214 | K069755 | K075215 | 10.6250 | K117582 | K117582N | K117583 | K117583N | 10.625 |
| 978878 | K063938 | 978879 | K063939 | 10.6870 | K117588 | K117588N | K117589 | K117589N | 10.687 |
| K103538 | K104980 | K103539 | K104981 | 10.8750 | K117592 | K117592N | K117593 | K117593N | 10.875 |
| 976714 | K090344 | 976715 | K090345 | 10.9370 | K117596 | K117596N | K117597 | K117597N | 10.937 |
| K069756 | K098626 | K069757 | K098627 | 11.6250 | K117604 | K117604N | K117605 | K117605N | 11.625 |
| 978876 | K073359 | 978877 | K073335 | 11.6870 | K117610 | K117610N | K117611 | K117611N | 11.687 |
| K069758 | K100118 | K069759 | K100119 | 12.1250 | K117616 | K117616N | K117617 | K117617N | 12.125 |
| 978880 | K100124 | 978881 | K100125 | 13.5930 | K117634 | K117634N | K117635 | K117635N | 13.625 |
| K044146 | K082206 | K044147 | K082207 | 15.3750 | K117658 | K117658N | K117659 | K117659N | 15.375 |

CW - Clockwise
CCW - Counterclockwise

RSD Cam Kit piece no. K126580K services one wheel end and consists of the following components:

| Description | Qty. |
|----------------|------|
| Flat Washer | 3 |
| Washer | 2 |
| Washer | 1 |
| Snap Ring | 1 |
| Cam Washer | 1 |
| Bronze Bushing | 2 |
| Seal | 2 |

For additional RSD Cam information contact the Tech Team at **1-800-AIR-BRAKE (1-800-247-2725)**, Select option 2 then option 1 to reach the Tech Team.



Bendix.com
email techteam@bendix.com

Fax: 440-329-9556



Bendix® RSD-Certified Friction

| Brake Size | Name Plate | Friction Material | OE Shoe Assembly | New Aftermarket Kit* | New Aftermarket Shoe | Reman Shoe Kit (See Note 1) | Reman Shoe | Aftermarket RSD Shoe Kit (See Note 2) |
|--|--|-------------------|------------------|----------------------|----------------------|-----------------------------|--------------|---------------------------------------|
| Steer Axle | | | | | | | | |
| 15" by 4" | Mack®, Volvo® | BX380 | K046249 | SB4729E2380 | 4729E2380 | KT4729E2380 | EX4729E2380 | N/A |
| 16 1/2" by 5" | Volvo/Mack (early) | BX380 | K051424 | SB4719E2920 | 4719E2920 | KT4719E2920 | EX4719E2920 | KT4719E2BA202R |
| 16 1/2" by 5" | Volvo/Mack (current) | BX920 | K082060 | SB4719E2920 | 4719E2920 | KT4719E2920 | EX4719E2920 | KT4719E2BA202R |
| 16 1/2" by 5" | Freightliner®, International®, Kenworth®, Peterbilt® | BX950 | K046188 | SB4719E2950 | 4719E2950 | KT4719E2950 | EX4719E2950 | KT4719E2BA202R |
| <i>For applications requiring two return springs, add HC suffix to these part numbers.</i> | | | | | | | | |
| 16 1/2" by 6" | Mack, Volvo | BX380 | K051421 | SB4725E2380 | 4725E2380 | KT4725E2380 | EX4725E2380 | N/A |
| 16 1/2" by 6" | Freightliner, International, Kenworth, Peterbilt | BX950 | K046184 | SB4725E2950 | 4725E2950 | KT4725E2950 | EX4725E2950 | N/A |
| Drive Axle | | | | | | | | |
| 16 1/2" by 7" | Volvo (current) | BX415 | K072338 | SB4709E2415 | 4709E2415 | KT4709E2415 | EX4709E2415 | KT4709E2BA202R |
| 16 1/2" by 7" | Freightliner, International, Kenworth, Peterbilt, Volvo/Mack (early) | ES420 | 819774 | SB4709E2420 | 4709E2420 | KT4709E2420 | EX4709E2420 | KT4709E2BA202R |
| 16 1/2" by 7" | Freightliner, International, Kenworth, Mack, Peterbilt, Volvo | ES1180 | K038992 | SB4079E21180 | 4709E21180 | KT4709E21180 | EX4709E21180 | KT4709E2BA232R |
| 16 1/2" by 8 5/8" | Volvo/Mack (current) | BX415 | K078181 | SB4726E2415 | 4726E2415 | KT4726E2415 | EX4726E2415 | KT4726E2BA202R |
| 16 1/2" by 8 5/8" | Freightliner, International, Kenworth, Peterbilt, Volvo/Mack (early) | ES420 | 819784 | SB4726E2420 | 4726E2420 | KT4726E2420 | EX4726E2420 | KT4726E2BA202R |
| 16 1/2" by 8 5/8" | Freightliner, International, Kenworth, Mack, Peterbilt, Volvo | ES1180 | K061952 | SB4726E21180 | 4726E21180 | KT4726E21180 | EX4726E21180 | KT4726E2BA232R |

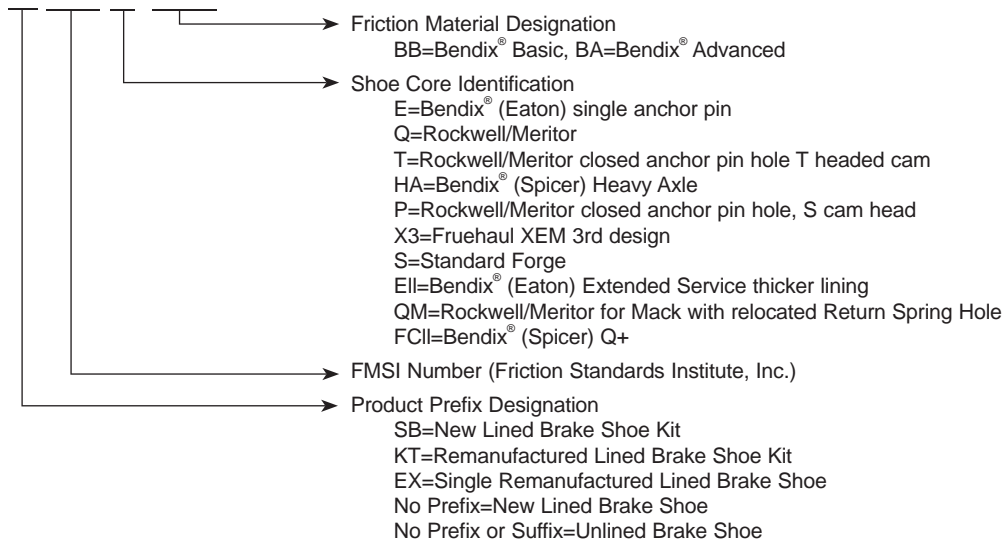
Note 1: Kit: Two shoes and hardware (one wheel-end).

Note 2: Shoe kit part numbers that contain BA202R indicate they are approved for vehicles with gross vehicle weight ratings (GVWRs) up to 52,000 lbs.

Note 3: Shoe kit part numbers that contain BA232R indicate they are approved for vehicles with gross vehicle weight ratings (GVWRs) up to 59,000 lbs.

Guide to Bendix part numbers

KT 4709 EII BA200



Typical Brake Lining Applications Chart
(Drive and Trailer Axle)

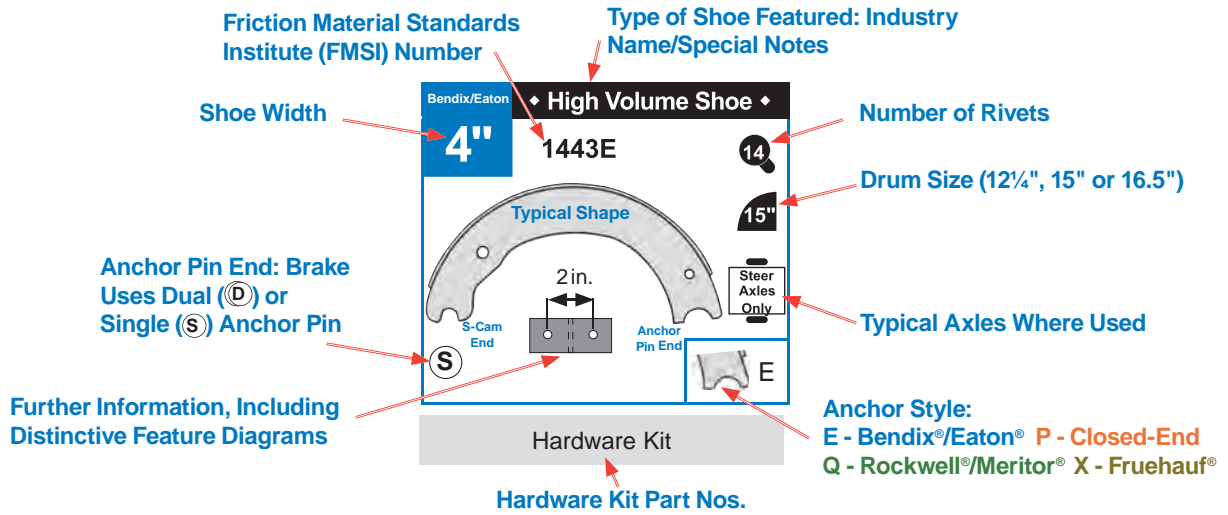
| Application | Bendix® Basic | | Bendix® Advanced | | | | | | | | | Bendix® OE | | | | | | |
|------------------------|-----------------|-----------------|------------------|-----------------|---------------------------|--|------------------|-----------------|-------------------------------------|-------------------------------------|---------------------------------|-------------------------------|-------------|-------------------------------|---------------|----------------------|-------------------|---|
| | 20,000 Lbs. | 23,000 Lbs. | 20,000 Lbs. | | | 23,000 Lbs. | | | | | | 14,600 Lbs. | 20,000 Lbs. | 23,000 Lbs. | | | | |
| | Economy (BB200) | Economy (BB230) | Standard (BA200) | Premium (BA201) | Premium Line Haul (BA203) | RSD Phase I Compliant (BA202R) (Drive/Steer) | Standard (BA230) | Premium (BA231) | ¹ Severe Service (BA233) | ³ RSD Phase II Compliant | | RSD Phase I Compliant (Steer) | | RSD Phase I Compliant (Drive) | Drive (ES600) | Combo-block (ES1160) | Metallic (ES1100) | |
| | | | | | | | | | Drive - (BA232R) | Steer - (BA202R) | ² Volvo/Mack (BX920) | All Others (BX950) | | | | | | |
| Single Tractor Trailer | ✓ | ✓ | ✓ | ✓ | ✓ | ✓ | ✓ | ✓ | - | ✓ | ✓ | ✓ | ✓ | ✓ | ✓ | ✓ | ✓ | - |
| Tandem Tractor Trailer | ✓ | ✓ | ✓ | ✓ | ✓ | ✓ | ✓ | ✓ | - | ✓ | ✓ | ✓ | ✓ | ✓ | ✓ | ✓ | ✓ | ✓ |
| Spread Tandem | - | - | ✓ | ✓ | ✓ | - | ✓ | ✓ | ✓ | ✓ | ✓ | ✓ | ✓ | ✓ | ✓ | ✓ | ✓ | ✓ |
| Multiple Trailer | ✓ | ✓ | ✓ | ✓ | ✓ | ✓ | ✓ | ✓ | - | ✓ | ✓ | ✓ | ✓ | ✓ | ✓ | ✓ | ✓ | ✓ |
| Van Trailer | - | - | ✓ | ✓ | ✓ | ✓ | ✓ | ✓ | - | ✓ | ✓ | ✓ | ✓ | ✓ | ✓ | ✓ | ✓ | - |
| Straight Truck | ✓ | ✓ | ✓ | ✓ | ✓ | - | ✓ | ✓ | ✓ | - | - | - | - | ✓ | ✓ | ✓ | ✓ | ✓ |
| Flat Bed | - | - | ✓ | ✓ | ✓ | ✓ | ✓ | ✓ | ✓ | ✓ | ✓ | ✓ | ✓ | ✓ | ✓ | ✓ | ✓ | ✓ |
| Dry Bulk | - | - | ✓ | ✓ | ✓ | ✓ | ✓ | ✓ | ✓ | ✓ | ✓ | ✓ | ✓ | ✓ | ✓ | ✓ | ✓ | ✓ |
| Logging Trailer | - | - | - | - | - | ✓ | - | ✓ | ✓ | ✓ | ✓ | ✓ | ✓ | ✓ | ✓ | ✓ | ✓ | ✓ |
| Car Hauler | - | - | ✓ | ✓ | ✓ | ✓ | ✓ | ✓ | ✓ | - | - | - | - | ✓ | ✓ | ✓ | ✓ | - |
| Tanker | - | - | - | ✓ | ✓ | - | ✓ | ✓ | ✓ | ✓ | ✓ | ✓ | ✓ | ✓ | ✓ | ✓ | ✓ | ✓ |
| Container Chassis | ✓ | ✓ | ✓ | ✓ | ✓ | - | ✓ | ✓ | ✓ | ✓ | ✓ | ✓ | ✓ | ✓ | ✓ | ✓ | ✓ | - |
| School Bus | - | - | - | ✓ | - | - | ✓ | ✓ | ✓ | - | - | - | - | ✓ | ✓ | - | - | - |
| Fire Truck | - | - | - | - | - | - | - | ✓ | ✓ | - | - | - | - | ✓ | ✓ | ✓ | ✓ | ✓ |
| Refuse Truck | - | - | - | - | - | - | - | ✓ | ✓ | - | - | - | - | - | - | ✓ | ✓ | ✓ |
| Tandem Axle Mixer | - | - | - | ✓ | - | - | ✓ | ✓ | ✓ | - | - | - | - | - | - | ✓ | ✓ | ✓ |
| Single Axle Dump | - | - | - | ✓ | - | - | ✓ | ✓ | ✓ | - | - | - | - | - | - | ✓ | ✓ | ✓ |
| Tandem Axle Dump | - | - | - | - | - | - | ✓ | ✓ | ✓ | - | - | - | - | - | - | ✓ | ✓ | ✓ |
| Coach | - | - | - | ✓ | - | - | ✓ | ✓ | - | - | - | - | - | ✓ | ✓ | - | - | - |

¹BA232 is superseded by BA233

²BX380 is superseded by BX920

³Phase I & Phase II applications - All tractors—vehicles that contain a 5th wheel—must be RSD compliant.

Brake Shoe Identification



| | | |
|--|---|---|
| <p>Bendix/Eaton®</p> <p>High Volume Shoe</p> <p>4"</p> <p>1443E</p> <p>14</p> <p>15"</p> <p>2 in.</p> <p>S-Cam End</p> <p>Anchor Pin End</p> <p>(S)</p> <p>E</p> <p>HK54</p> | <p>Bendix/Eaton®</p> <p>4"</p> <p>1308E</p> <p>14</p> <p>15"</p> <p>2 3/4 in.</p> <p>(S)</p> <p>The rivets are closer to the edge than 1443E.</p> <p>E</p> <p>HK54</p> | <p>Bendix/Eaton</p> <p>4"</p> <p>4729E2</p> <p>16</p> <p>15"</p> <p>(S)</p> <p>A pressed-in pin must be present. Dual web.</p> <p>E</p> <p>HK97XLS</p> |
| <p>Circular Cam-End Style</p> <p>4"</p> <p>1308P</p> <p>14</p> <p>15"</p> <p>(D)</p> <p>Circular cam-end style. Single web.</p> <p>P</p> <p>HK51</p> | <p>Rockwell®/Meritor®</p> <p>4"</p> <p>1308Q</p> <p>14</p> <p>15"</p> <p>(D)</p> <p>Single web.</p> <p>Q</p> <p>HK55</p> | <p>Rockwell/Meritor</p> <p>4"</p> <p>4702Q</p> <p>16</p> <p>15"</p> <p>(D)</p> <p>Dual web.</p> <p>Q</p> <p>HK29SB/HK29XLS</p> |
| <p>Bendix/Eaton</p> <p>5"</p> <p>4223E</p> <p>20</p> <p>16 1/2"</p> <p>(S)</p> <p>The rails narrow. A welded pin must be present.</p> <p>E</p> <p>HK24XLSHM</p> | <p>Bendix/Eaton</p> <p>5"</p> <p>4719E2</p> <p>16</p> <p>16 1/2"</p> <p>(S)</p> <p>A pressed-in pin must be present.</p> <p>E</p> <p>HK61XLS/HK62/HK62XLS</p> | <p>Rockwell/Meritor</p> <p>5"</p> <p>4703Q</p> <p>16</p> <p>15"</p> <p>3 3/4 in.</p> <p>(D)</p> <p>Non-typical drum size.</p> <p>Q</p> <p>HK29XLS</p> |

Brake Shoe Identification

| | | | |
|---|---|---|--|
| <p>Rockwell/Meritor 5" 4720Q 16</p> <p>HK74SB/HK74XLS</p> | <p>Rockwell/Meritor 5" 4524Q 16</p> <p>HK29XLS</p> | <p>Rockwell/Meritor 5" 4524QM 16</p> <p>HK81XLS</p> | |
| <p>Bendix/Eaton 6" 4317E 14</p> <p>HK24XLSHM</p> | <p>Bendix/Eaton 6" 4725E2 14</p> <p>HK61XLS / HK62/HK62XLS</p> | <p>Rockwell/Meritor 6" 4715Q 24</p> <p>HK29XLS / HK74XLS</p> | <p>Rockwell/Meritor 6" 4514Q 24</p> <p>HK80XLS</p> |
| <p>Circular Cam-End Style 7" 4515P 32</p> <p>HK16XLS</p> | <p>Bendix/Eaton 7" 4311E 28</p> <p>HK24XLSLM</p> | <p>Bendix/Eaton 7" 4709E (UNIVERSAL) 28</p> <p>HK63 / HK63XLS</p> | <p>Bendix/Eaton High Volume Shoe 7" 4709E2 28</p> <p>HK61XLS/HK62SD / HK62XLS</p> |
| <p>Bendix/Eaton 7" 4709E 28</p> <p>HK63SD / HK63XLS</p> | <p>Rockwell/Meritor High Volume Shoe 7" 4707Q 28</p> <p>HK29SB / HK29XLS / HK29XLSMB</p> | <p>Rockwell/Meritor High Volume Shoe 7" 4515Q 32</p> <p>HK29XLS/HK29XLSMB / HK75SD</p> | <p>Fruehauf® High Volume Shoe 7" 4515X3 32</p> <p>HK34SD / HK34XLS</p> |

Brake Shoe Identification

| | | | |
|--|--|--|--|
| <p>Rockwell/Meritor</p> <p>7" 4708Q 28</p> <p>Drive & Trailer Axles</p> <p>HK67XLS</p> | <p>Bendix/Eaton</p> <p>7 1/2" 4692FC2 20</p> <p>Drive & Trailer Axles</p> <p>HK49-150</p> | <p>Bendix/Eaton</p> <p>8" 47X8 32</p> <p>Drive & Trailer Axles</p> <p>HK61XLS</p> | <p>Rockwell/Meritor</p> <p>8" 4718Q 32</p> <p>Drive & Trailer Axles</p> <p>HK29XLS</p> |
| <p>Circular Cam-End Style</p> <p>8 5/8" 4551P 32</p> <p>Drive & Trailer Axles</p> <p>HK14SD/HK14XLS/HK16</p> | <p>Bendix/Eaton</p> <p>8 5/8" 4726E2 32</p> <p>Drive & Trailer Axles</p> <p>HK61/HK61XLS</p> | <p>Bendix/Eaton</p> <p>8 5/8" 4717E2 32</p> <p>Steer Axles Only</p> <p>HK91XLS</p> | <p>Bendix/Eaton</p> <p>8 5/8" 4674E 20</p> <p>Drive & Trailer Axles</p> <p>HK24XLSLM</p> |
| <p>Rockwell/Meritor</p> <p>8 5/8" 4551Q 32</p> <p>Drive & Trailer Axles</p> <p>HK29/HK29XLS</p> | <p>Rockwell/Meritor</p> <p>8 5/8" 4710Q 32</p> <p>Drive & Trailer Axles</p> <p>HK29XLS</p> | <p>Rockwell/Meritor</p> <p>8 5/8" 4711Q 28</p> <p>Drive & Trailer Axles</p> <p>HK29XLS</p> | |

Brake Shoe Hardware Kits

| Hardware Kit Bendix Pc. No. | Hardware Kit Contents |
|--------------------------------|-----------------------|
| HK14SD | |
| HK14XLS | |
| HK16 | |
| HK16XLS | |
| HK24XLSHM | |
| HK24XLSLM | |

| Hardware Kit Bendix Pc. No. | Hardware Kit Contents |
|--------------------------------|-----------------------|
| HK29 | |
| HK29SB | |
| HK29SD | |
| HK29XLS | |
| HK29XLSMB | |
| HK34SD | |

Brake Shoe Hardware Kits

| Hardware Kit Bendix Pc. No. | Hardware Kit Contents |
|--------------------------------|-----------------------|
| HK34XLS | |
| HK49-150 | |
| HK51 | |
| HK54 | |
| HK55 | |
| HK61 | |

| Hardware Kit Bendix Pc. No. | Hardware Kit Contents |
|--------------------------------|-----------------------|
| HK61XLS | |
| HK62 | |
| HK62SD | |
| HK62XLS | |
| HK63 | |
| HK63SD | |

Bendix Online Brake School



When You Want It. Where You Need It. www.brake-school.com

The Bendix Online Brake School is your complete resource for web-based technical training, straight from the experts. Keep your skills sharp with a comprehensive menu of ever-evolving instructional videos and interactive modules.

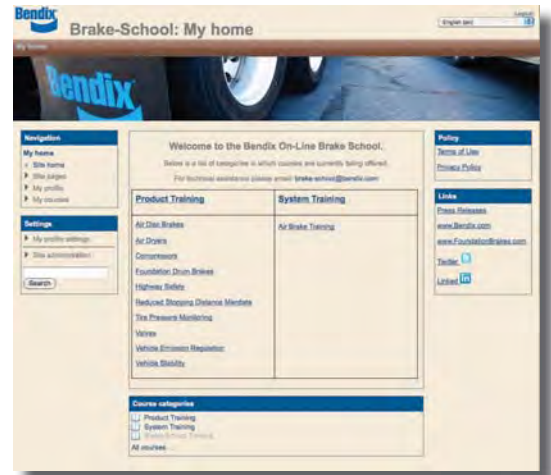
Home to e-training on a full range of Bendix products and industry hot topics, www.brake-school.com offers courses on:

- Air Dryers and Compressors
- Valves
- Disc and Drum Brakes
- Vehicle Stability
- Electronics
- Air Brake System training and more!

Visit www.brake-school.com, register for your secure account and take the course(s) that you need. Each course is accompanied by a brief quiz to test your knowledge.

Available 24/7/365... www.brake-school.com. Just a mouse click away.

Put yourself to the test. Bendix Online Brake School... where you need it, when you need it, and on the topics that matter most to advancing your skill set.



BW2948 © 2013 Bendix Commercial Vehicle Systems LLC, a member of the Knorr-Bremse Group • 03/13 • All Rights Reserved

Trademarks

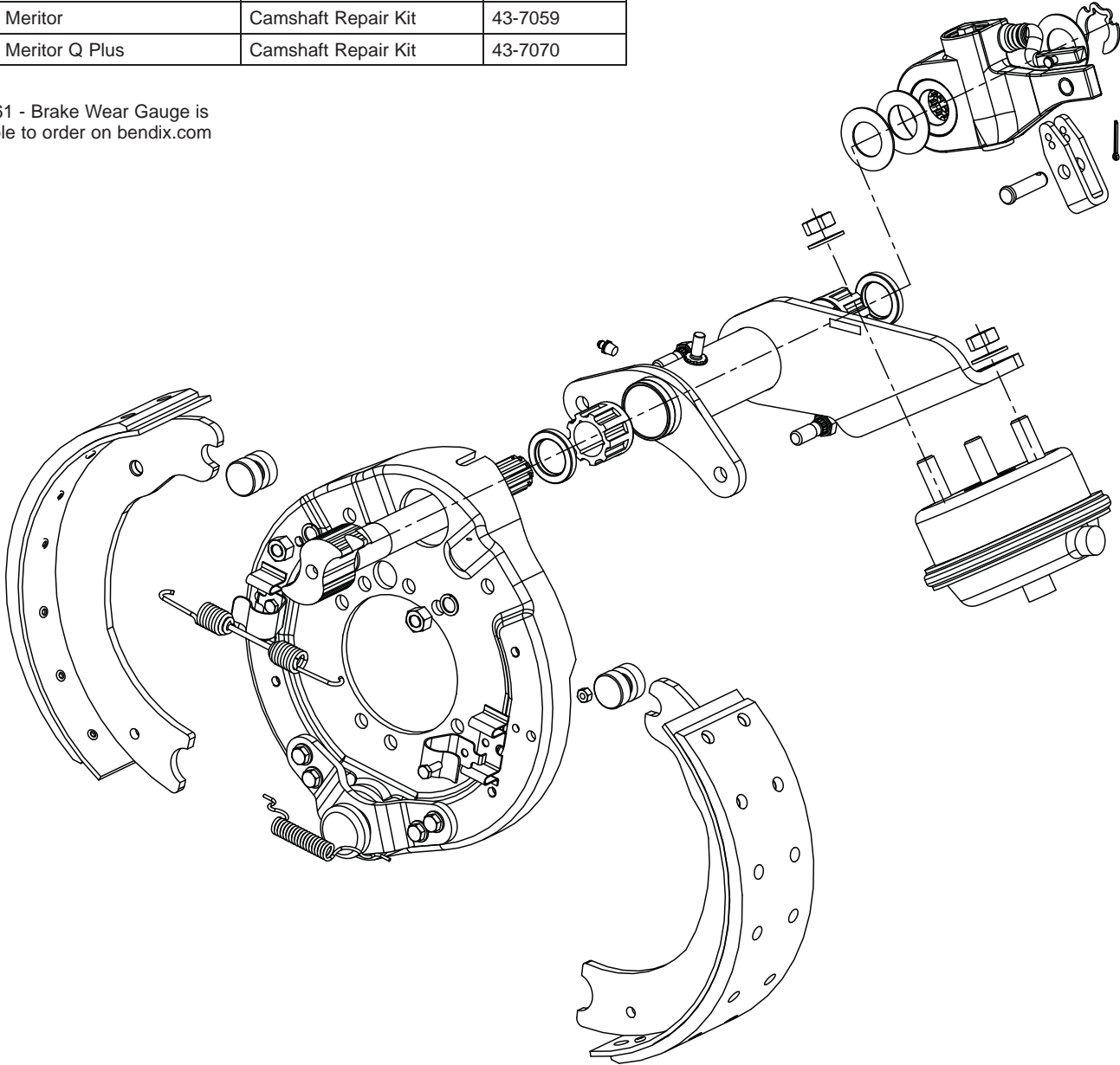
The ACOM, AD-2, AD-4, AD-9, AD-9si, ADB225, ADB22X, ADB22X-V, AD-IP, AD-IS, AD-SP, AF-3, ALWAYS ALERT, ASA-5, AT-3, AT-30, AT-6, ATR-1, ATR-3, ATR-6, AUTOBRAKE, AUTOVIEW, BA-921, BA-922, BACKSPOTTER, BASIC, BENDIX, BENDIX DESIGN, BLINDSPOTTER, BLUECHROME, BP-1, BP-R1, BR9235, BVA-85, BX-2150, BW IN A DIAMOND, BX DESIGN, C-1, C-3, C-5, C-6, CORELESS, D-2, D-2A, DATALINK, DC-1, DC-2, DC-3, DC-4, DD2, DD3, DRM, DS-1, DS-2, DURADRAIN, DURAFLO 596, DV-2, DYNAMARK DESIGN, E-10PR, E-10R, E-10, E-12, E-14, E-15, E-2, E-3, E-6, E-7, E-8P, EC-16, EC-17, EC-30, EC-60, EC-80, ECUTALK, ES BRAKES, ESP, ESR, ES, ET-2, ET-S2, EVERFLOW, E-Z-GRIP, FLEX, FLR-10, FLR-20, FORMULA BLUE, HR-1, KNORR-BREMSE, LMS, LP-2, LP-3, LQ-1, LQ-2, LQ-4, LQ-5, M-30, M-32QR, M-32, MC-30, MV-2, MV-3, PAVE, PBS, PP-1, PP-2, PP-3, PP-5, PP-7, PP-8, PP-DC, PS-60, PR-2, PR-3, PR-4, PURAGUARD, QR-1, QR-1C, QRD-2, QR-L, QRN-2, QRN, QUADVISION, R-12, R-12DC, R-12P, R-14, R-1, R-1C, R-5, R-6, R-7, R-8P, R-8, RD-3, RE-6, RE-6NC, RSP, RV-1, RV-3, SAS-60, SafetyDirect, SB-4, SB-7, SC-1, SC-2, SC-3, SC-PR, SD3, SDS-9600, SK-7, SL-3, SL-4, SL-5, SMART ATC, SMARTCRUISE, SMARTIRE, SMARTWAVE, SN-7, SPICER, SPLINED DISC, SR-1, SR-2, SR-4, SR-5, SR-7, SRC-7000, ST-3, ST-4, SURESTROKE, SV-1, SV-4, SYSTEM-GUARD, TABS-6, TC-2, TC-4, TC-6, TC-7, TCS-9000, TE-1, TH-3, TP-3, TP-3DC, TP-4, TP-5, TR-1, TR-2, TR-3, TR-4, TR-5, TRSP, TRUCK PRODUCTS DESIGN, TU-FLO, TW-11, TW-1, TW-2, TW-3, TW-4, TW-5, VORAD, WINGMAN, WS-20, WS-24, XVISION, YAS-60 and YAS-70X trademarks are licensed to or owned by Bendix Commercial Vehicle Systems LLC.

Any references in this catalog to ACERT, BERG, BLUE BIRD, CASCADIA, CAT, CATERPILLAR, CUMMINS, DDC, DETROIT DIESEL, DTNA, EQUINOX, FORD, FREEDOMLINE, GM, HOLSET, IHC, INTERNATIONAL, JOHN DEERE, KELSEY HAYES, KENWORTH, MACK, MERITOR, MIDLAND, NAVISTAR, OSHKOSH, PACCAR, PEOPLETNET, PETERBILT, QUALLCOMM, SEALCO, VOLVO, WABCO, WAGNER, and any other company or trademark are solely for identification and cross reference purposes. The trademarks are the property of their respective companies and are not affiliated with or endorsing Bendix Commercial Vehicle Systems LLC. Bendix Commercial Vehicle Systems LLC does not represent any parts shown as products manufactured or remanufactured by the companies so named herein.

Steer Axle Drum Brake

| Application | Description | Piece Number |
|--------------------------------|---------------------|--------------|
| 15"x4" Bendix® | Brake Hardware Kit | HK54 |
| 15"x4" Bendix Extended Service | Brake Hardware Kit | HK54 |
| 15"x4" Meritor® | Brake Hardware Kit | HK55 |
| 15"x4" Meritor Q Plus | Brake Hardware Kit | HK29XLS |
| 15"x4" Bendix | Camshaft Repair Kit | 43-7060 |
| 15"x4" Bendix Extended Service | Camshaft Repair Kit | 43-7060 |
| 15"x4" Meritor | Camshaft Repair Kit | 43-7059 |
| 15"x4" Meritor Q Plus | Camshaft Repair Kit | 43-7070 |

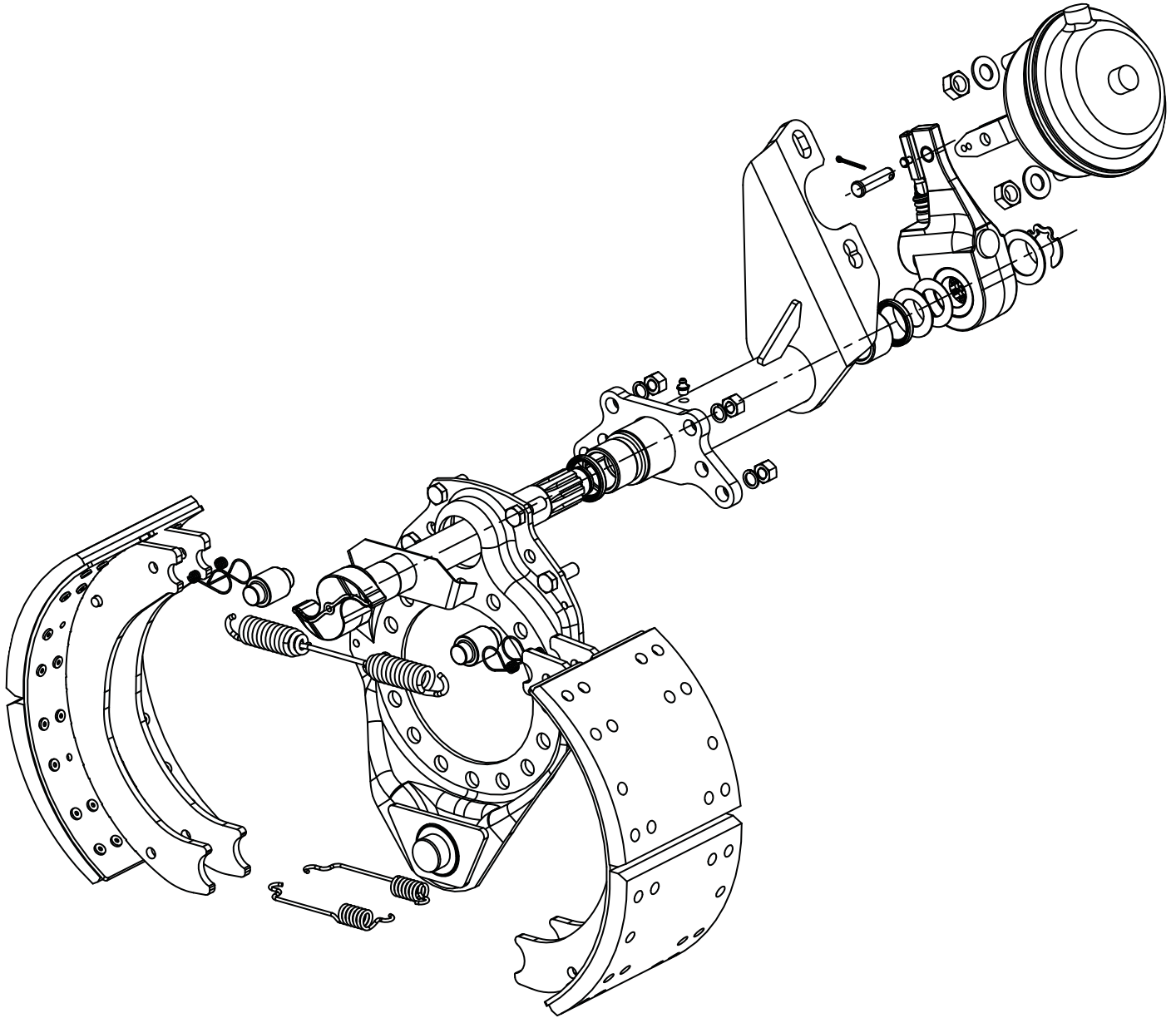
BW7261 - Brake Wear Gauge is available to order on bendix.com



This catalog contains the most common components and kits. Many other applications and variations are available in the Bendix® product offering. Visit the literature center on foundationbrakes.com for additional information.

Drive Axle Drum Brake

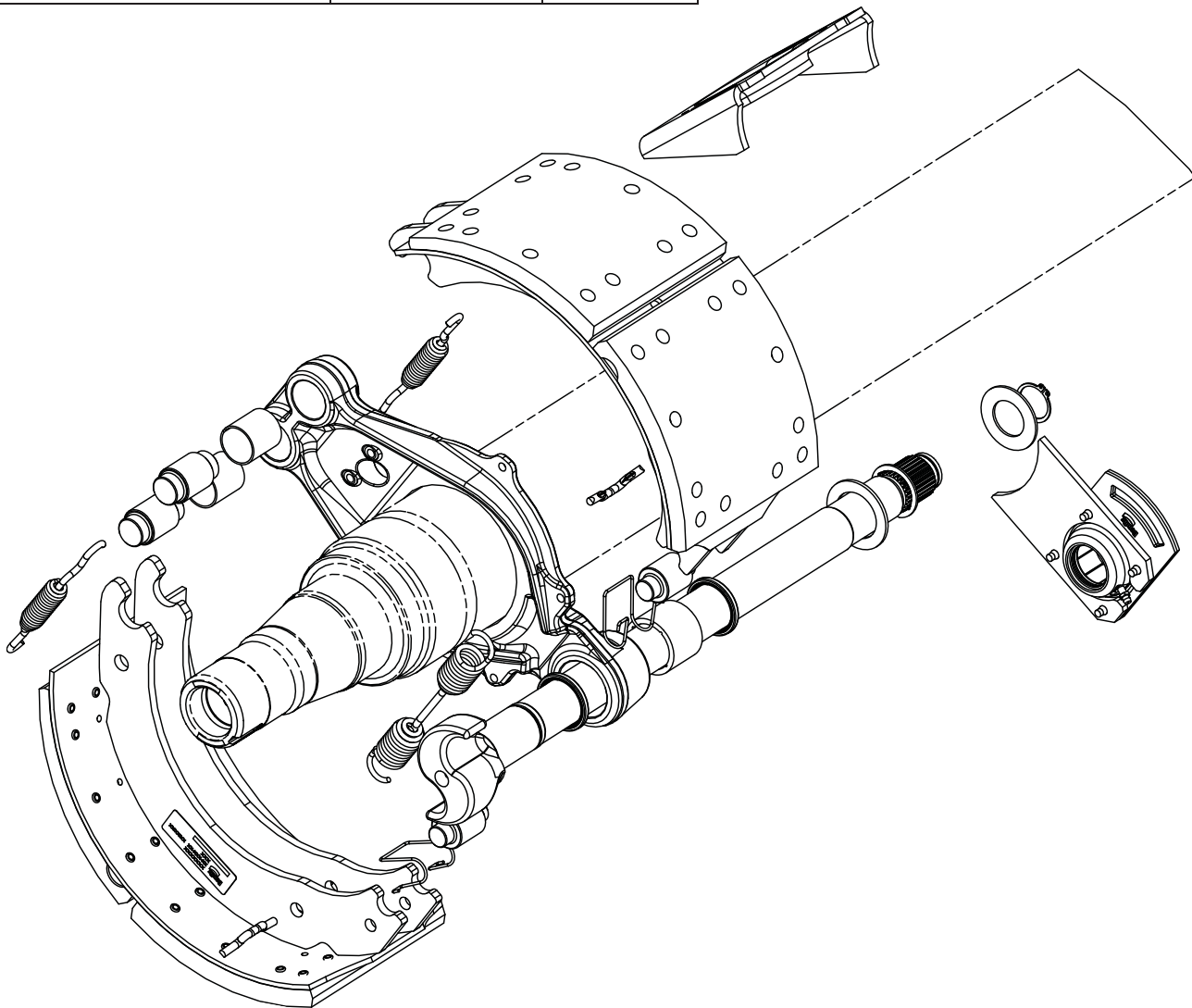
| Application | Description | Piece Number |
|------------------------------------|---------------------|--------------|
| 16.5" Dia. Bendix® | Brake Hardware Kit | HK24XLSHM |
| 16.5" Dia. Bendix Extended Service | Brake Hardware Kit | HK61XLS |
| 16.5" Dia. Meritor® | Brake Hardware Kit | HK29XLS |
| 16.5" Dia. Meritor Q Plus | Brake Hardware Kit | HK29XLS |
| 16.5" Dia. Bendix Extended Service | Camshaft Repair Kit | 43-7069 |
| 16.5" Dia. Meritor Q Plus | Camshaft Repair Kit | 43-7048 |



This catalog contains the most common components and kits. Many other applications and variations are available in the Bendix® product offering. Visit the literature center on foundationbrakes.com for additional information.

Trailer Axle Drum Brake

| Application | Description | Piece Number |
|--|---------------------|--------------|
| 16.5" Dia. SAP Bendix® | Brake Hardware Kit | HK24XLSHM |
| 16.5" Dia. SAP Bendix Extended Service | Brake Hardware Kit | HK61XLS |
| 16.5" Dia. DAP Bendix | Brake Hardware Kit | HK29XLS |
| 16.5" Dia. DAP Bendix Extended Service | Brake Hardware Kit | HK29XLS |
| 16.5" Dia. Meritor® | Brake Hardware Kit | HK29XLS |
| 16.5" Dia. Meritor Q Plus | Brake Hardware Kit | HK29XLS |
| 16.5" Dia. ProPar | Brake Hardware Kit | HK34XLS |
| 16.5" Dia. Bendix Extended Service | Camshaft Repair Kit | 43-7118 |
| 16.5" Dia. Meritor Q Plus | Camshaft Repair Kit | 43-7072 |
| 16.5" Dia. ProPar | Camshaft Repair Kit | 43-7039 |



This catalog contains the most common components and kits. Many other applications and variations are available in the Bendix® product offering. Visit the literature center on foundationbrakes.com for additional information.

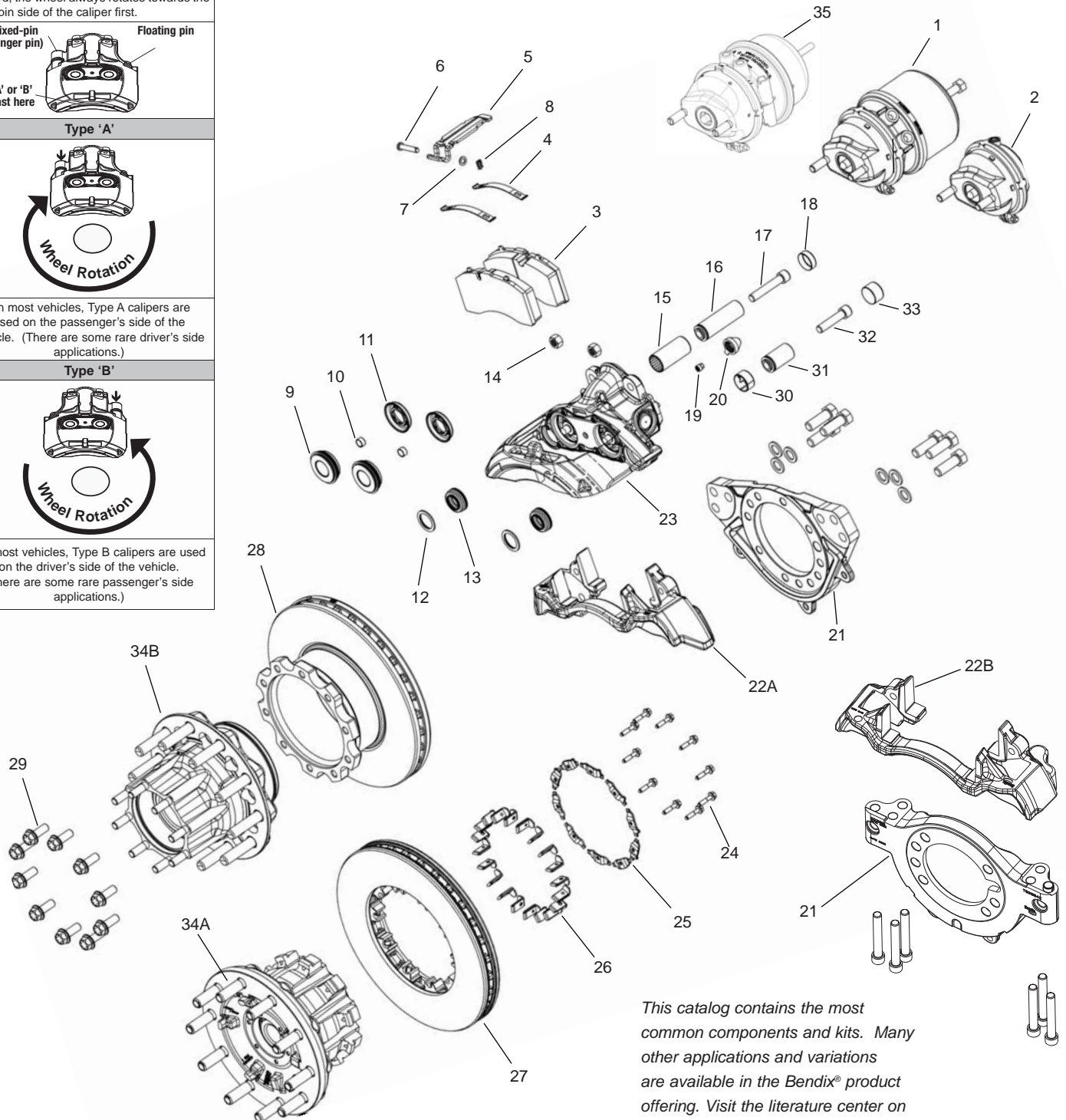
Bendix® ADB22X™ Air Disc Brake

i SD-23-7541

For additional actuator information refer to section 02 of this catalog.

For Bendix® Air Disc Brakes, as a vehicle travels forward, the wheel always rotates towards the fixed-pin side of the caliper first.

| | |
|---|---------------------|
| <p>Fixed-pin (longer pin)</p> <p>‘A’ or ‘B’ cast here</p> | <p>Floating pin</p> |
| <p>Type ‘A’</p> <p>Wheel Rotation</p> | |
| <p>On most vehicles, Type A calipers are used on the passenger’s side of the vehicle. (There are some rare driver’s side applications.)</p> | |
| <p>Type ‘B’</p> <p>Wheel Rotation</p> | |
| <p>On most vehicles, Type B calipers are used on the driver’s side of the vehicle. (There are some rare passenger’s side applications.)</p> | |



This catalog contains the most common components and kits. Many other applications and variations are available in the Bendix® product offering. Visit the literature center on foundationbrakes.com for additional information.

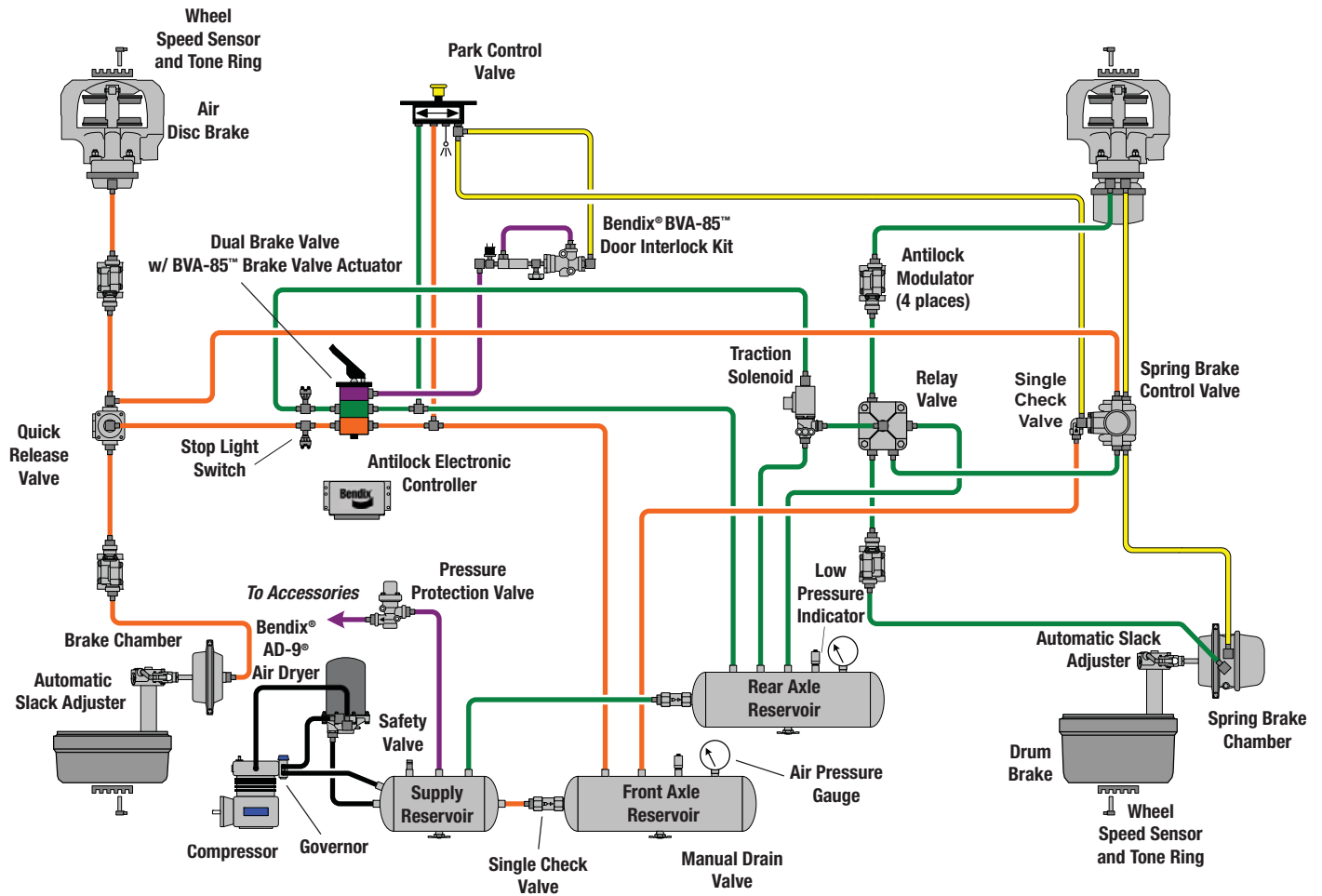
| Kit | Piece Number | Air Disc Brake | | | | | Components Included in Kit |
|--|--------------|--|------------------------|-----------------------|---------|---|--|
| | | North American Truck, Trailer & Refuse | Specialty Applications | Transit / Severe Duty | | | |
| | | | | ADB22X™ | ADB225™ | SB-7™ | |
| Pad Kit (axle set) | 802593 | | ✓ | | | | (3, 4, 5, 6, 7, 8, 19, 20) |
| | K070796 | ✓ | | | | ✓ | (3, 4, 5, 6, 7, 8, 19, 20) |
| | K109249 | | | ✓ | ✓ | | (3, 4, 5, 6, 7, 8, 19, 20) |
| | K109113 | ✓ | | | | | Severe Duty - High Temp |
| | K109318 | | | ✓ | ✓ | | Severe Duty |
| | K115559 | ✓ | | | | | Severe Duty - Low Temp |
| K129276 | ✓ | | | | | Extended Life Pad Kit | |
| Splint Kit (box of 25) | 803151 | ✓ | ✓ | ✓ | ✓ | | (8) |
| Shear Adapter (box of 10) | 802455 | ✓ | ✓ | | ✓ | | (19) |
| Tappet/Boot Kit (wheel end kit) | K010603 | | | | ✓ | | (9, 10, 11) |
| | K010604 | | | ✓ | | | (9, 10, 11) |
| | K092079 | ✓ | ✓ | | ✓ | ✓ | (9, 10, 11) |
| Adjuster Cover (non-wear sensing - box of 10) | 802495 | ✓ | ✓ | | | | (20) Large adjuster cap |
| | 802643 | ✓ | ✓ | | | | (20) Small adjuster cap |
| | K003902 | | | | | ✓ | (20) |
| | K000945 | | | ✓ | ✓ | | |
| Guide Pin, Seal and Boot Kit (wheel end kit) | 803114 | ✓ | | | | | (12, 13, 15, 16, 17, 18, 30, 31, 32, 33) |
| | K001915 | | ✓ | | ✓ | | (12, 13, 15, 16, 17, 18, 30, 31, 32, 33) Rubber Bushing Retro. to Metallic Bushing |
| | K004100 | | | | | ✓ | (12, 13, 15, 16, 17, 18, 30, 31, 32, 33) |
| | K010766 | | | | ✓ | | (12, 13, 15, 16, 17, 18, 30, 31, 32, 33) DU Bushing Kit |
| | K048396K50 | | | ✓ | | | (12, 13, 15, 16, 17, 18, 30, 31, 32, 33) See Service Data Sheet SD-23-7550 for Guide Pin Identification |
| | K048371K50 | | | ✓ | | | |
| | K109244 | | | | ✓ | | |
| | II328090062 | | | ✓ | | | |
| | II39769F0062 | | | ✓ | | | |
| II368470064 | | | ✓ | | | (12, 13, 15, 16, 17, 18, 30, 31, 32, 33) Rubber Bushing Kit | |
| Guide Pin Grease | II14525 | ✓ | ✓ | ✓ | ✓ | | White (5 grams) |
| | K021964 | ✓ | ✓ | ✓ | ✓ | | White (500 grams) |
| | K021963 | | | ✓ | | | Green (8 grams) |
| | K021975 | | | ✓ | | | Green (500 grams) |
| Service Actuator | K028039 | ✓ | | | | | Bendix® Type 14 Universal (2, 14) |
| | K028226 | ✓ | | | | | Bendix® Type 16 Universal (2, 14) |
| | K028022 | ✓ | ✓ | ✓ | ✓ | ✓ | Bendix® Type 18 Universal (2, 14) |
| | K021995 | | | | ✓ | | Bendix® Type 24 |
| | K021996 | | | | ✓ | | Bendix® Type 24 |
| | K028225 | ✓ | ✓ | ✓ | ✓ | ✓ | Bendix® Type 20 Universal (2, 14) |
| Spring Brake Chamber (See the Spring Brake Section on page 21 for more information.) | K027557 | ✓ | | | | | Bendix® Type 18/16 Piston Style Truck/Trailer Universal (1, 14) |
| | K025670 | ✓ | ✓ | ✓ | ✓ | ✓ | Bendix® Type 18/24 Piston Style Truck/Trailer Universal (1, 14) |
| | K068622 | | | | ✓ | | Bendix® Type 22/24 |
| | 803089 | | | | ✓ | | Bendix® Type 24/24 |
| | 803090 | | | | ✓ | | Bendix® Type 24/24 |
| | K025669 | ✓ | ✓ | ✓ | ✓ | ✓ | Bendix® Type 20/24 Piston Style Truck/Trailer Universal (1, 14) |

| Kit | Piece Number | Air Disc Brake | | | | | Components Included in Kit |
|--|--------------|--|------------------------|-----------------------|---------|--|--|
| | | North American Truck, Trailer & Refuse | Specialty Applications | Transit / Severe Duty | | | |
| | | | | ADB22X™ | ADB225™ | SB-7™ | |
| Caliper-Carrier Assembly Includes 803114 | K081142 | ✓ | | | | | Steer and Drive Axial "A" (22A + 23) |
| | K081143 | ✓ | | | | | Steer and Drive Axial "B" (22A + 23) |
| | 802984 | ✓ | | | | | Trailer Axial "A" (22A + 23) |
| | 802985 | ✓ | | | | | Trailer Axial "B" (22A + 23) |
| | K081256 | ✓ | | | | | Steer and Drive Vertical "A" (22B + 23) |
| | K081257 | ✓ | | | | | Steer and Drive Vertical "B" (22B + 23) |
| | K108183 | | | | ✓ | | Caliper Carrier with Pads "B" |
| | K108184 | | | | ✓ | | Caliper Carrier with Pads "A" |
| | K108187 | | | | ✓ | | Caliper Carrier with Pads "A" |
| | K108188 | | | | ✓ | | Caliper Carrier with Pads "B" |
| | K108189 | | | | ✓ | | Caliper Carrier with Pads "A" |
| | K108190 | | | | ✓ | | Caliper Carrier with Pads "B" |
| | K108191 | | | | ✓ | | Caliper Carrier with Pads "A" |
| | K108192 | | | | ✓ | | Caliper Carrier with Pads "B" |
| | K147135X | ✓ | | | | | Reman. Caliper/Caliper Steer & Drive, Vertical Type "B" (N2G) |
| | K147136X | ✓ | | | | | Reman. Caliper/Carrier Steer & Drive, Vertical Type "A" (N2G) |
| | K147429X | ✓ | | | | | Reman. Caliper/Caliper Steer & Drive, Axial Type "B" (N2G) |
| | K147430X | ✓ | | | | | Reman. Caliper/Carrier Steer & Drive, Axial Type "A" (N2G) |
| K098284X | ✓ | | | | | Reman. Caliper/Carrier Trailer Type "A" (N2G) | |
| K098285X | ✓ | | | | | Reman. Caliper/Caliper Trailer Type "B" (N2G) | |
| K149714 | ✓ | | | | | Service New ADB22X-LT Caliper/Carrier | |
| K149715 | ✓ | | | | | Service New ADB22X-LT Caliper/Carrier | |
| Caliper Kit (rationalized) Includes 803114 | K081258 | ✓ | | | | | Steer & Drive Axle "A" (23) |
| | K081259 | ✓ | | | | | Steer & Drive Axle "B" (23) |
| | K019180 | ✓ | | | | | Trailer Axle "A" (23) |
| | K019181 | ✓ | | | | | Trailer Axle "B" (23) |
| | K002964 | | | ✓ | | | Transit Bus / Severe Duty Applications (23) "B" |
| | K002965 | | | ✓ | | | Transit Bus / Severe Duty Applications (23) "A" |
| | K003783 | | | | ✓ | | Transit Bus / Severe Duty Applications (23) "B" |
| | K003784 | | | | ✓ | | Transit Bus / Severe Duty Applications (23) "A" |
| | K003809 | | | | ✓ | | Transit Bus / Severe Duty Applications (23) "B" |
| | K003810 | | | | ✓ | | Transit Bus / Severe Duty Applications (23) "A" |
| | K003811 | | | | ✓ | | Transit Bus / Severe Duty Applications (23) "B" |
| | K003812 | | | | ✓ | | Transit Bus / Severe Duty Applications (23) "A" |
| | K109120 | | | | ✓ | | Transit Bus / Severe Duty Applications (23) "A" |
| | K109121 | | | | ✓ | | Transit Bus / Severe Duty Applications (23) "B" |
| | K014065 | | | ✓ | | | Transit Bus / Severe Duty Applications (23) "B" |
| | K014066 | | | ✓ | | | Transit Bus / Severe Duty Applications (23) "A" |
| | K097848 | ✓ | | | | | Service New Rationalized Caliper Steer & Drive, Axial & Vertical |
| | K097849 | ✓ | | | | | Service New Rationalized Caliper Steer & Drive, Axial & Vertical |
| K098282 | ✓ | | | | | Service New Rationalized Caliper Steer & Drive, Axial & Vertical | |
| K098283 | ✓ | | | | | Service New Rationalized Caliper Steer & Drive, Axial & Vertical | |
| Carrier Kit | K051853 | ✓ | | | | | Steer and Drive Axle, Axial (12, 13, 17, 18, 19, 20, 22A, 32, 33) |
| | K056559 | ✓ | | | | | Steer and Drive Axle, Vertical (12, 13, 17, 18, 19, 20, 22B, 32, 33) |
| | K043288 | ✓ | | | | | Trailer Axle, Axial (12, 13, 17, 18, 19, 20, 22A, 32, 33) |

| Kit | Piece Number | Air Disc Brake | | | | | Components Included in Kit |
|-----------------------------------|--|--|------------------------|-----------------------|---------|---|---|
| | | North American Truck, Trailer & Refuse | Specialty Applications | Transit / Severe Duty | | | |
| | | | | ADB22X™ | ADB225™ | SB-7™ | |
| Hubs | 802847 | ✓ | | | | | Splined Disc® Brake - Aluminum - R Drive, LMS Bearing Package (34B) |
| | 802859 | ✓ | | | | | Splined Disc Brake - Aluminum - R Drive, Standard Bearing Package* (34B) |
| | 803134 | ✓ | | | | | Splined Disc Brake - Aluminum - FL Steer, LMS Bearing Package (34A) |
| | 803138 | ✓ | | | | | Splined Disc Brake - Aluminum - FL Steer, Standard Bearing Package* (34A) |
| | K020505 | ✓ | | | | | Splined Disc Brake - Aluminum - FF Steer, LMS Bearing Package (34A) |
| | K020514 | ✓ | | | | | Splined Disc Brake - Aluminum - FF Steer, Standard Bearing Package* (34A) |
| | K045298 | ✓ | | | | | Splined Disc - Aluminum - "TN" Trailer, Standard Bearing Package* (34B) |
| | K045297 | ✓ | | | | | Splined Disc - Aluminum - "TP" Trailer, Standard Bearing Package* (34B) |
| | See hub supplier for these standard hub products | ✓ | ✓ | ✓ | ✓ | ✓ | U-shaped - Iron/Aluminum, LMS/Standard Bearing Packages |
| | ✓ | ✓ | ✓ | ✓ | ✓ | Flat - Iron/Aluminum, LMS/Standard Bearing Packages | |
| Splined Disc® Rotor Attaching Kit | K037767 | ✓ | | | | | All Splined Disc® Rotor Applications (24, 25, 26) |
| Rotor | K038573 | ✓ | ✓ | | | | 138mm Offset, 430mm Outer Diameter, 249mm Inner Diameter, U-shaped (28, 29) |
| | K038574 | ✓ | ✓ | | | | 150mm Offset, 430mm Outer Diameter, 249mm Inner Diameter, U-shaped (28, 29) |
| | 802569 | ✓ | | | | | No Offset, 430mm Outer Diameter, 258mm Inner Diameter, Heavy-Duty Splined Disc Kit (24, 25, 26, 27) |
| | 802669 | | | ✓ | ✓ | | 114.7mm Offset, 430mm Outer Diameter, 165mm Inner Diameter, Rotor U-shaped (28) |
| | K021958 | | | ✓ | ✓ | | 131mm Offset, 430mm Outer Diameter, 198mm Inner Diameter, Rotor U-shaped (28) |
| | K021959 | | | ✓ | ✓ | | 179.7mm Offset, 430mm Outer Diameter, 163.4mm Inner Diameter, Rotor U-shaped (28) |
| | K034497 | | | | ✓ | | 104.7mm Offset, 430mm Outer Diameter, 165mm Inner Diameter (28) |
| II37415N | | | ✓ | ✓ | | 136mm Offset, 430mm Outer Diameter, 190mm Inner Diameter, Rotor U-shaped (28) | |
| Shields | 802948 | ✓ | | | | | Steer Axle Pad Shield Kit |
| | 803129 | ✓ | | | | | Trailer Axle Pad & Rotor Shield Kit |
| | 803130 | ✓ | | | | | Drive Axle Pad & Rotor Shield Kit |
| Tool Kit | K028829 | ✓ | | | | | Tappet Boot Tool Kit |
| | K029107 | ✓ | | | | | Guide Pin and Tappet Boot Tool Kit |
| | K029164 | ✓ | | | | | Guide Pin and Tappet Boot Tool Kit |
| | K039062K50 | | | | ✓ | | Guide Pin and Tappet Boot Tool Kit |
| | II37951/004 | | | ✓ | | | Guide Pin and Tappet Boot Tool Kit |
| Air Disc Brake Pad Wear Kit | K109114 | ✓ | | | | | Pad / Rotor Measuring Tool |

* Universal Replacement with standard bearing configuration and long studs. Contact 1-800-AIR-BRAKE if identification assistance is required.

Typical School Bus Air System Schematic with a Bendix® AD-9® Air Dryer

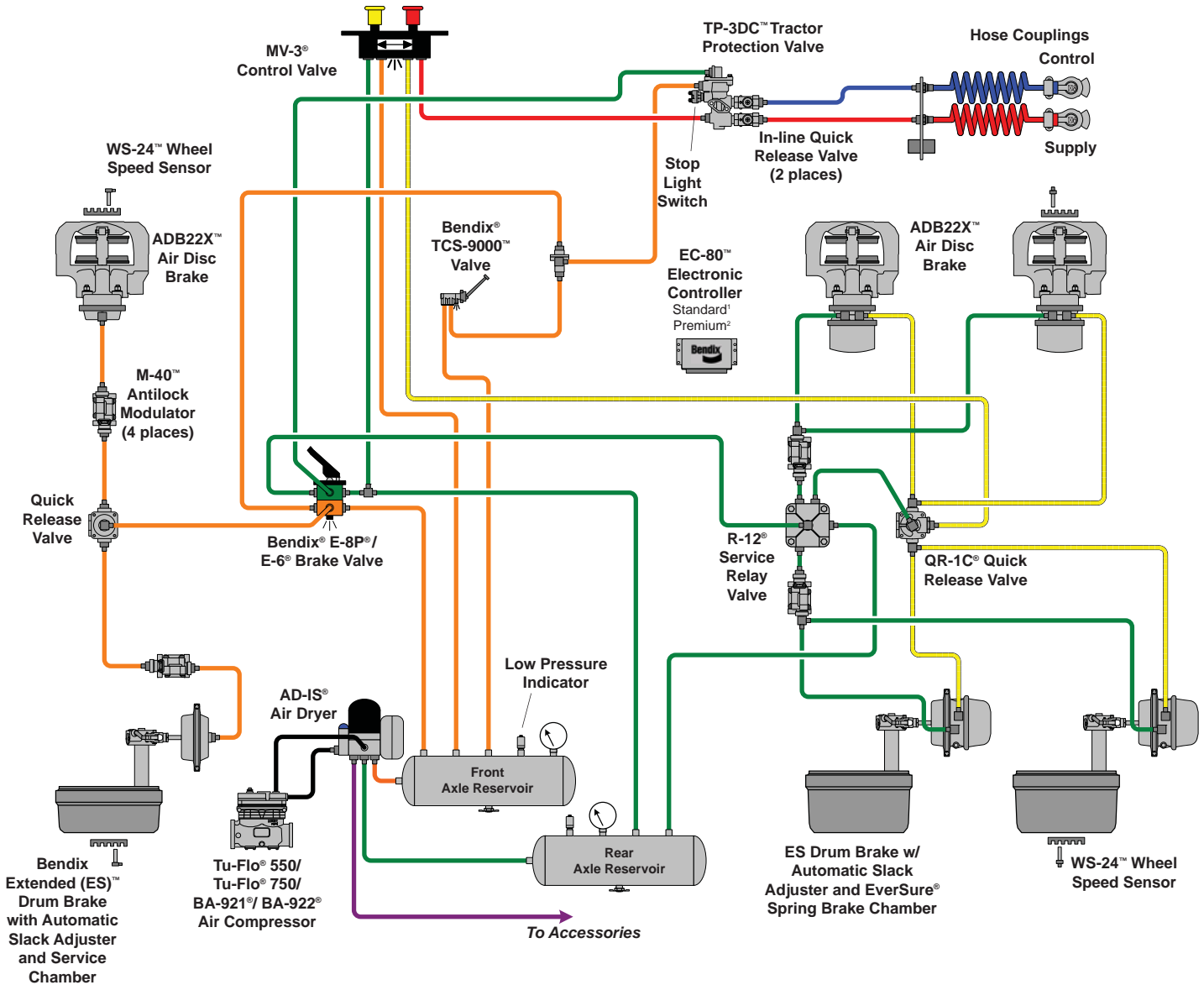


Notes:

The color coding of the brake system schematic follows TMC Recommended Practice #423. Air disc & drum brake actuation combined on a single axle are shown for pictorial purposes only.

| SCHOOL BUS: | | | | |
|-------------|---------|-----------|-------------------|-------------|
| | | | | |
| Charging | Primary | Secondary | Parking (Control) | Accessories |

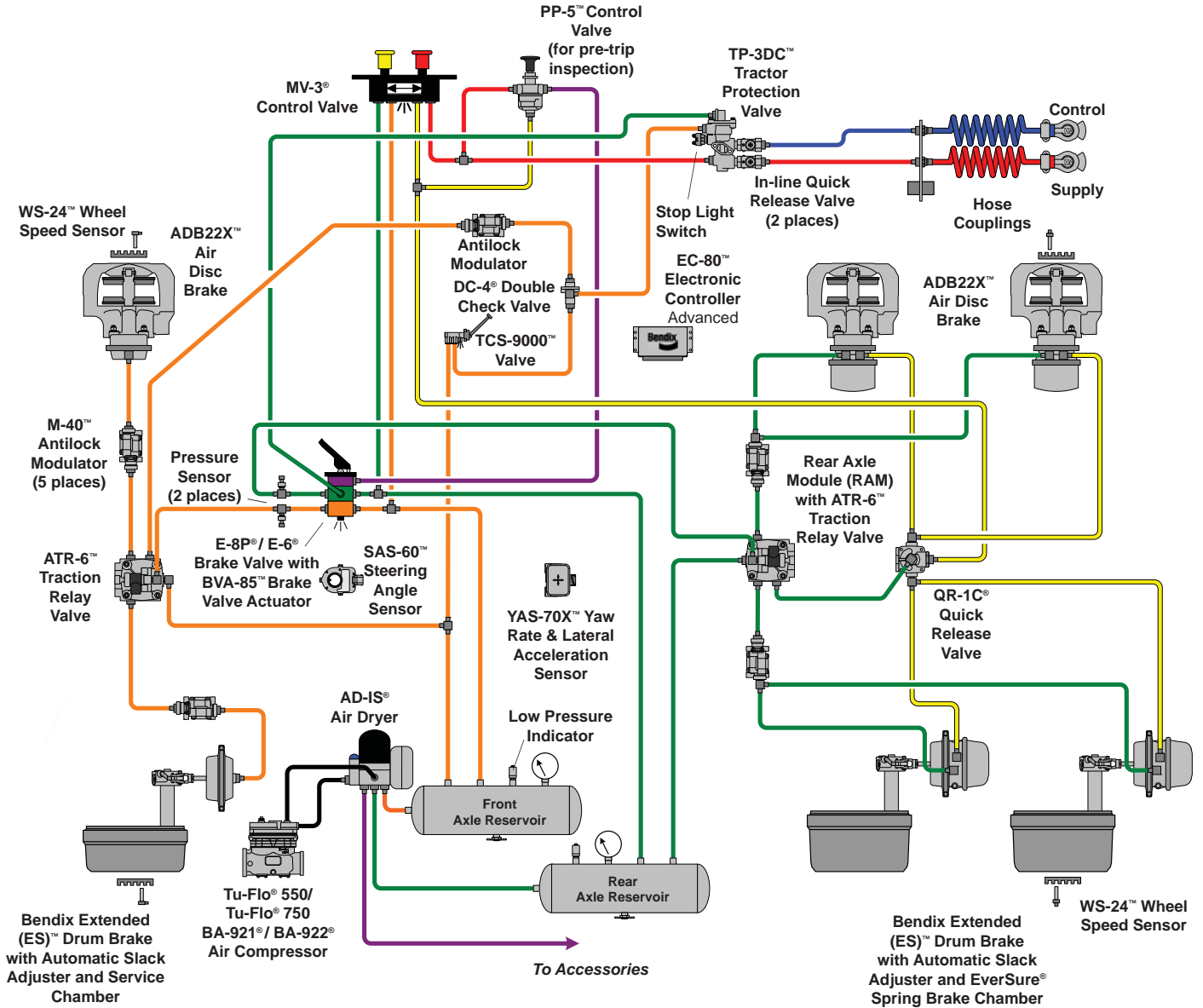
Basic Tractor System Schematic



Notes:
 The color coding of the brake system schematic follows TMC Recommended Practice #423.
 Air disc & drum brake actuation combined on a single axle are shown for pictorial purposes only.
¹ Equipped with standard Bendix® ABS Antilock Brake System
² Equipped with Bendix® ABS and Smart ATC™ Traction Control

| TRUCKS AND TRUCK TRACTORS: | | | | | |
|----------------------------|---------|-----------|---------------|-------------------|-------------|
| ■ | ■ | ■ | ■ | ■ | ■ |
| Charging | Primary | Secondary | Park (Supply) | Parking (Control) | Accessories |

Typical Tractor System Schematic with Bendix® ESP® Full Stability

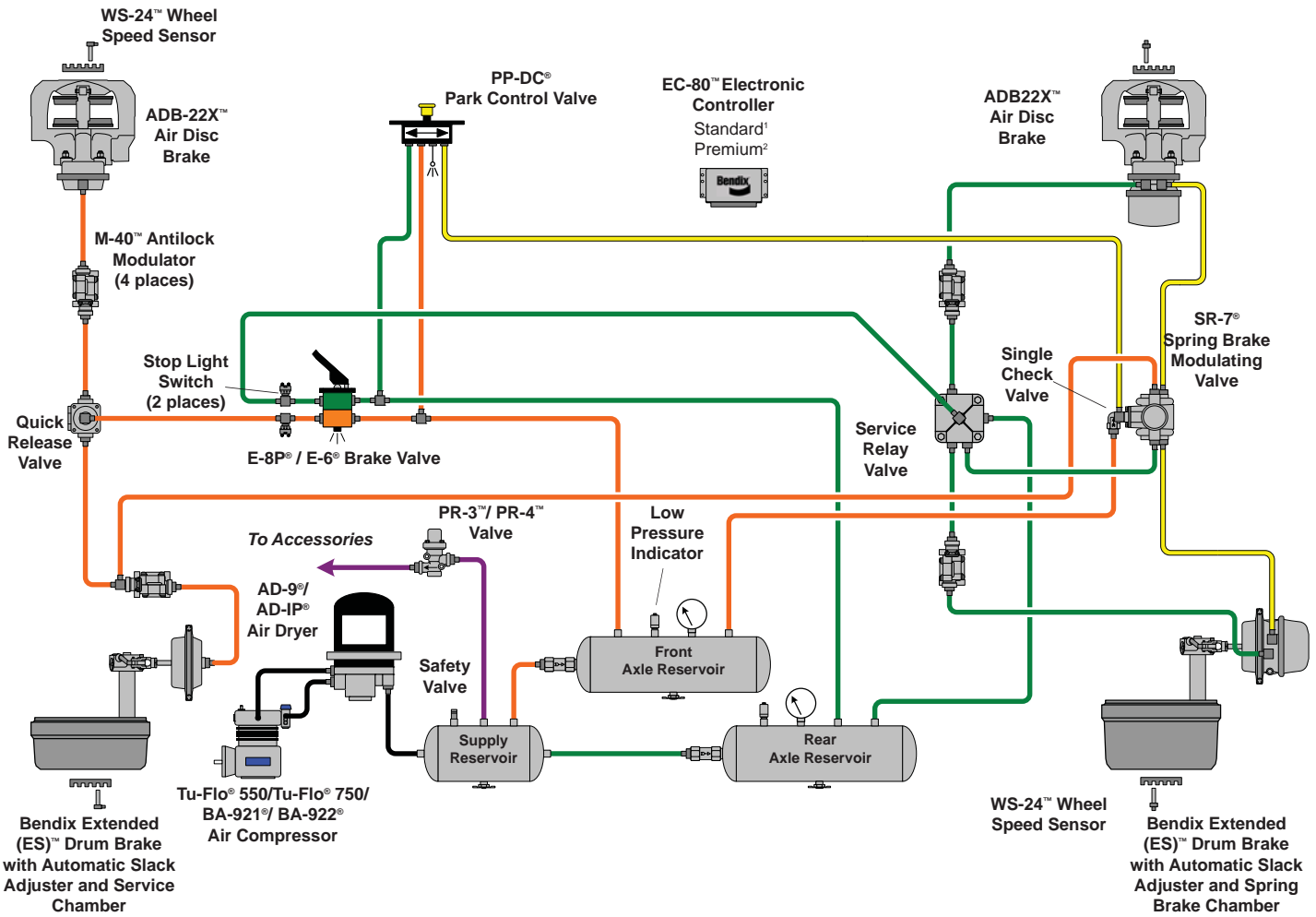


Notes:

The color coding of the brake system schematic follows TMC Recommended Practice #423.
Air disc & drum brake actuation combined on a single axle are shown for pictorial purposes only.

| TRUCKS AND TRUCK TRACTORS: | | | | | |
|----------------------------|---------|-----------|---------------|-------------------|-------------|
| | | | | | |
| Charging | Primary | Secondary | Park (Supply) | Parking (Control) | Accessories |

Typical Truck System Schematic



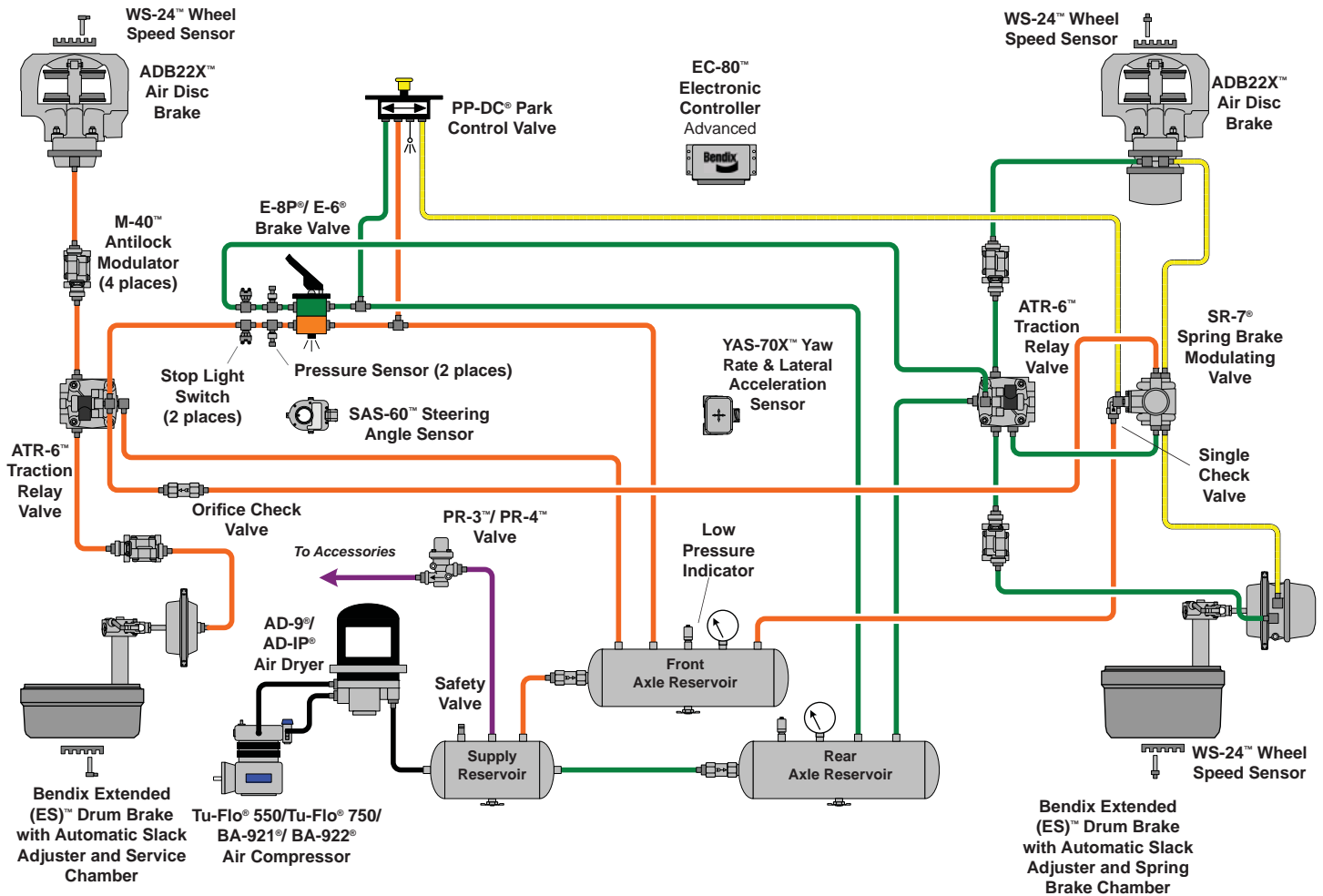
Notes:

The color coding of the brake system schematic follows TMC Recommended Practice #423.
Air disc & drum brake actuation combined on a single axle are shown for pictorial purposes only.

- ¹ Equipped with standard Bendix® ABS Antilock Brake System
- ² Equipped with Bendix® ABS and Smart ATC™ Traction Control

| TRUCKS AND TRUCK TRACTORS: | | | | | |
|----------------------------|---------|-----------|---------------|-------------------|-------------|
| | | | | | |
| Charging | Primary | Secondary | Park (Supply) | Parking (Control) | Accessories |

Typical Truck System Schematic with Bendix® ESP® Full Stability

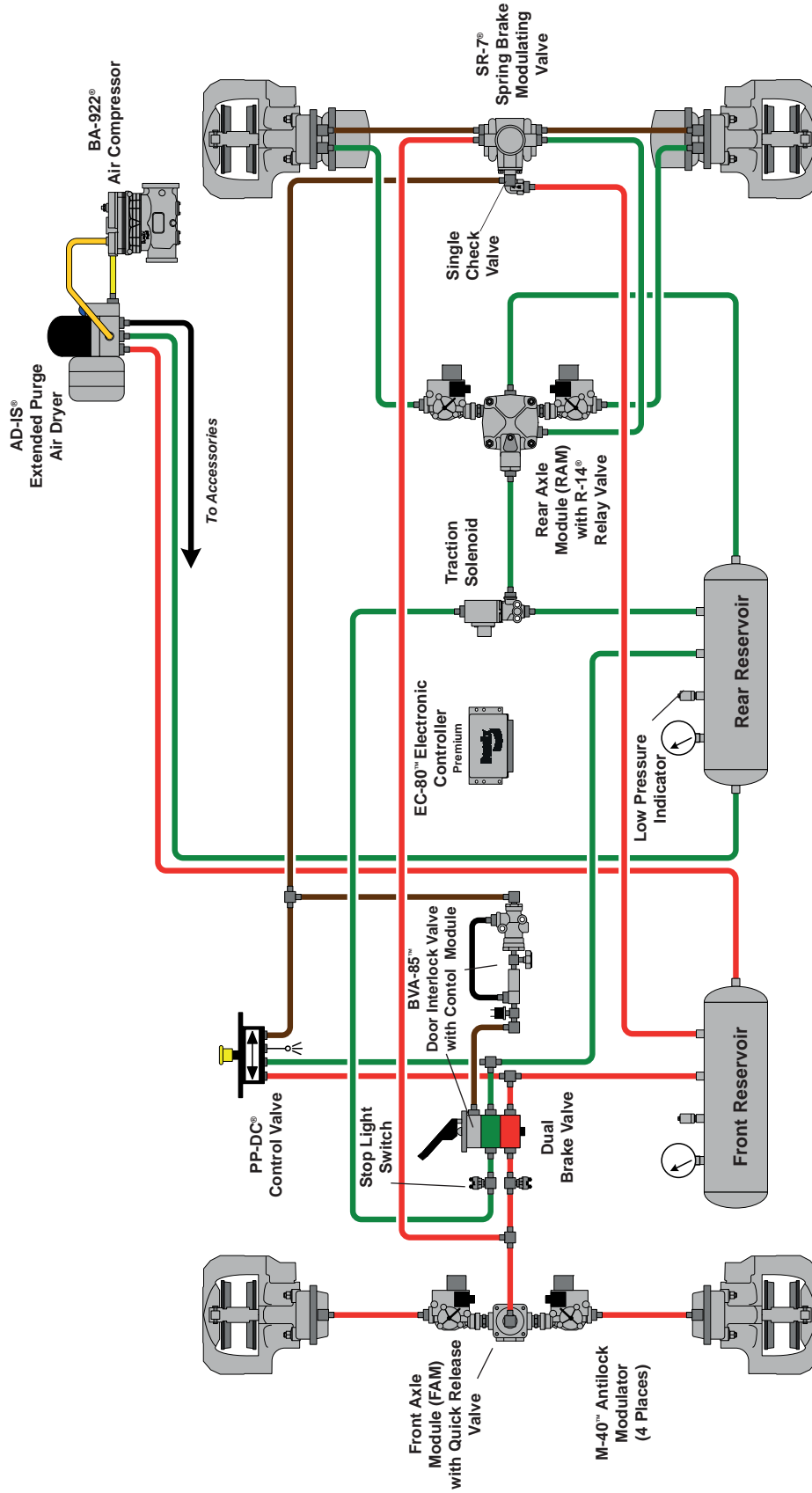


Notes:

The color coding of the brake system schematic follows TMC Recommended Practice #423.
Air disc & drum brake actuation combined on a single axle are shown for pictorial purposes only.

| TRUCKS AND TRUCK TRACTORS: | | | | | |
|----------------------------|---------|-----------|---------------|-------------------|-------------|
| | | | | | |
| Charging | Primary | Secondary | Park (Supply) | Parking (Control) | Accessories |

Typical Coach Bus Air System Schematic



SN-7™ Air Disc Brake

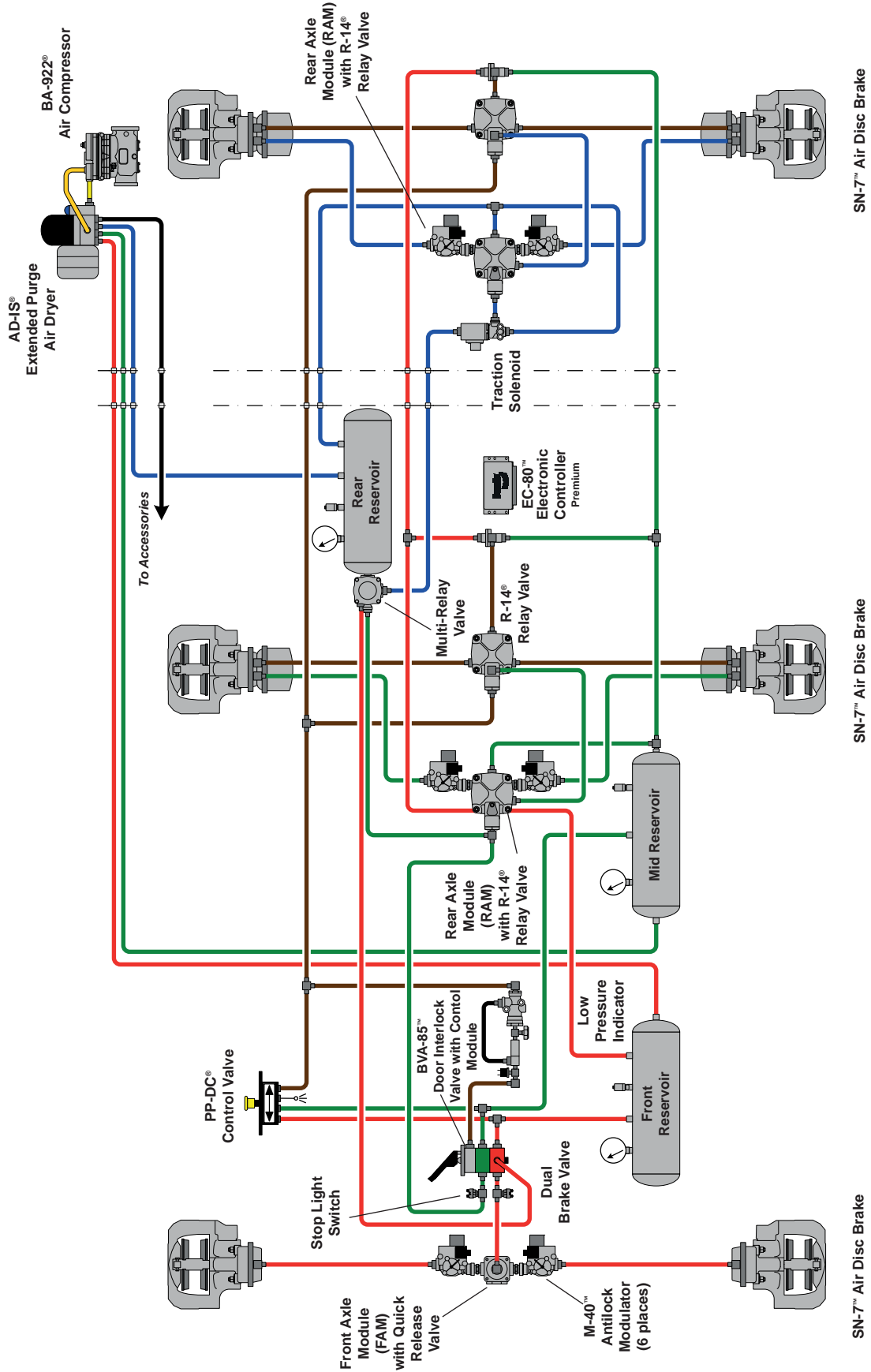
SN-7™ Air Disc Brake

COACH:

| | |
|--|---------------------|
| | Primary & Supply |
| | Secondary |
| | Parking |
| | Compressor Governor |
| | Accessories |

Notes:
 The color coding of the brake system schematic follows APTA Recommended Practice.
 Air disc & drum brake actuation combined on a single axle are shown for pictorial purposes only.

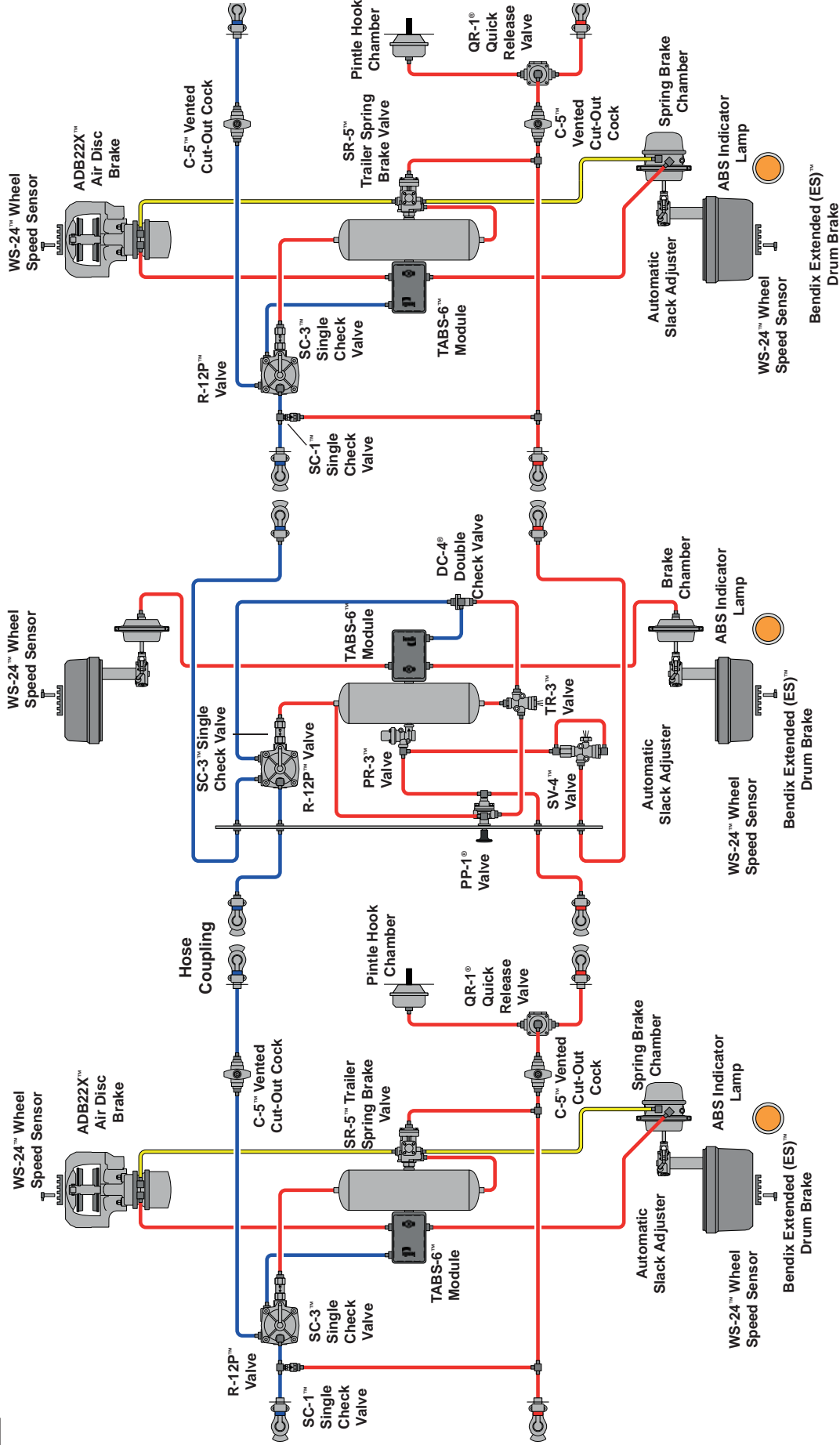
Typical Articulated Coach Bus Air System Schematic



Notes:

The color coding of the brake system schematic follows APTA Recommended Practice. Air disc & drum brake actuation combined on a single axle are shown for pictorial purposes only.

Typical Double Train

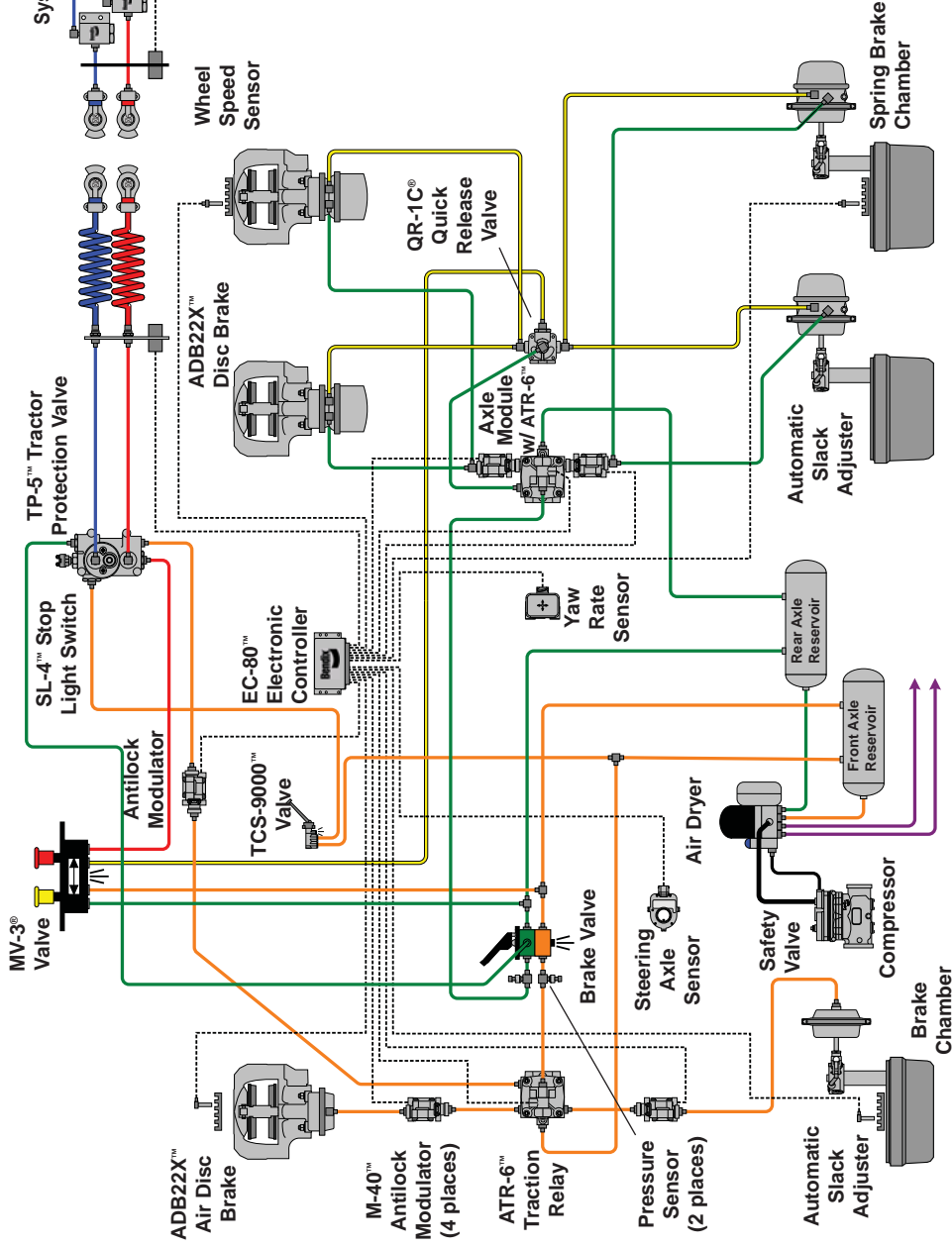


TRAILERS:

| | |
|--|-------------------|
| | Trailer (Supply) |
| | Trailer (Control) |
| | Trailer (Park) |

Air disc & drum brakes combined on a single axle are shown for pictorial purposes only.

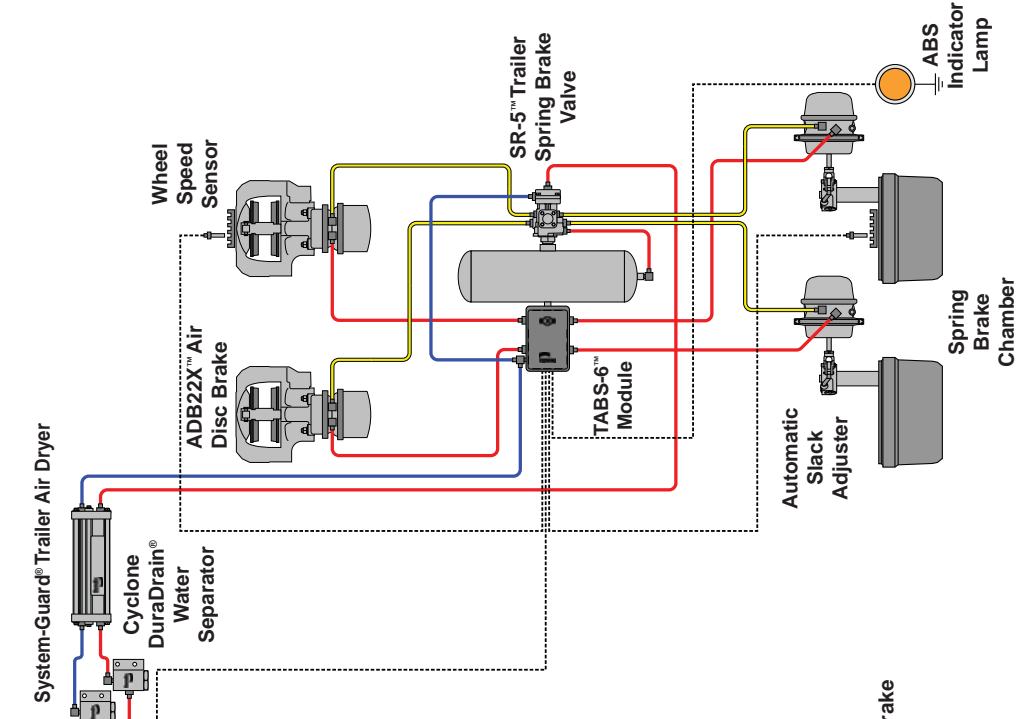
Typical Tractor System



----- Indicates electrical connection

Air disc & drum brakes combined on a single axle are shown for pictorial purposes only.

Typical Trailer System



TRUCKS AND TRUCK TRACTORS:

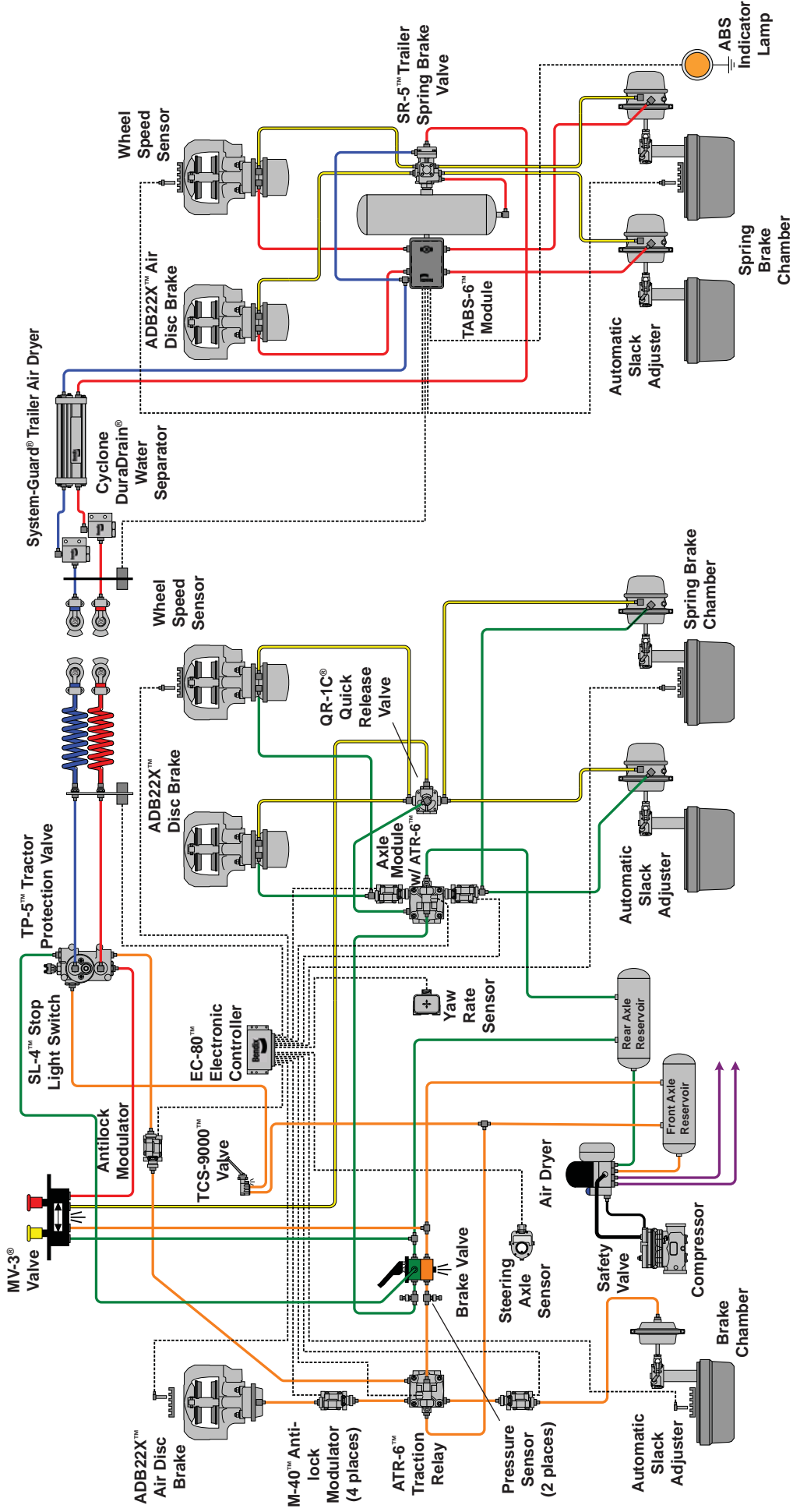
| | | | | | | | | | | | |
|--|----------|--|---------|--|-----------|--|---------------|--|-------------------|--|-------------|
| | Charging | | Primary | | Secondary | | Park (Supply) | | Parking (Control) | | Accessories |
|--|----------|--|---------|--|-----------|--|---------------|--|-------------------|--|-------------|

TRAILERS:

| | | | | | |
|--|------------------|--|-------------------|--|----------------|
| | Trailer (Supply) | | Trailer (Control) | | Trailer (Park) |
|--|------------------|--|-------------------|--|----------------|

Typical Tractor System

Typical Trailer System



--- Indicates electrical connection

Air disc & drum brakes combined on a single axle are shown for pictorial purposes only.

TRUCKS AND TRUCK TRACTORS:

- Charging
- Primary
- Secondary
- Park (Supply)
- Parking (Control)
- Accessories

TRAILERS:

- Trailer (Supply)
- Trailer (Control)
- Trailer (Park)



Log-on and Learn from the Best

On-line training that's available when you are —24/7/365.
Visit brake-school.com.